

Copyright FCI.

spec ref	-	dr	Andrew Yong	2010/10/21	projection	MM / INCH	size	A3	scale	10:1	
tolerance std	ISO 406 ISO 1101	eng	Guo-Min Sun	2013/01/29			ecn no	ELX-N-13923-1			
TOLERANCES UNLESS OTHERWISE SPECIFIED		chr	-	-			rel level	Released			
surface	ISO 1302	appr	Rick Bian	2013/01/30	product family	LPVCC	dwg no	91596		rev	Y
	linear	0.X	±0.3		LOW PROFILE VCC		cat. no. - Product - Customer Drw	sheet 1 of 2			
		0.XX	±0.13		BOTTOM ENTRY SMT 2.3mm ASSY						
	angular	0°	±2°		www.fci.com						

PRODUCT NO	POSITIONS	DIM. A	DIM. B
91596-X04	2 X 2	2.00 / .079	3.92 / .154
-X06	2 X 3	4.00 / .158	5.92 / .233
-X08	2 X 4	6.00 / .236	7.92 / .312
-X10	2 X 5	8.00 / .315	9.92 / .391
-X12	2 X 6	10.00 / .394	11.92 / .469
-X14	2 X 7	12.00 / .472	13.92 / .548
-X16	2 X 8	14.00 / .551	15.92 / .627
-X18	2 X 9	16.00 / .630	17.92 / .706
-X20	2 X 10	18.00 / .709	19.92 / .784
-X22	2 X 11	20.00 / .787	21.92 / .863
-X24	2 X 12	22.00 / .866	23.92 / .942
-X26	2 X 13	24.00 / .945	25.92 / 1.020
-X28	2 X 14	26.00 / 1.024	27.92 / 1.099
-X30	2 X 15	28.00 / 1.102	29.92 / 1.178

CONTACT AREA PLATING OPTIONS
0=0.20um/8u"Au ON CONTACT.
1=0.76um/30u"Au ON CONTACT.
3=0.38um/15u"Au ON CONTACT.
4=0.76um/30u"GXT ON CONTACT.
5=0.38um/15u"GXT ON CONTACT.

NOTES:

- HOUSING MAT'L : HIGH TEMP PLASTIC.
- TERMINAL MAT'L : BeCu.
- TERMINAL RETENTION 0.5Kg/1.1 Lbs.
- 'V' CUT OPTIONAL - MANUFACTURING PROCESS OPTION.
- PRODUCT DESCRIPTION CODE:

XXXXX-X XXLF



6. PACKAGING:

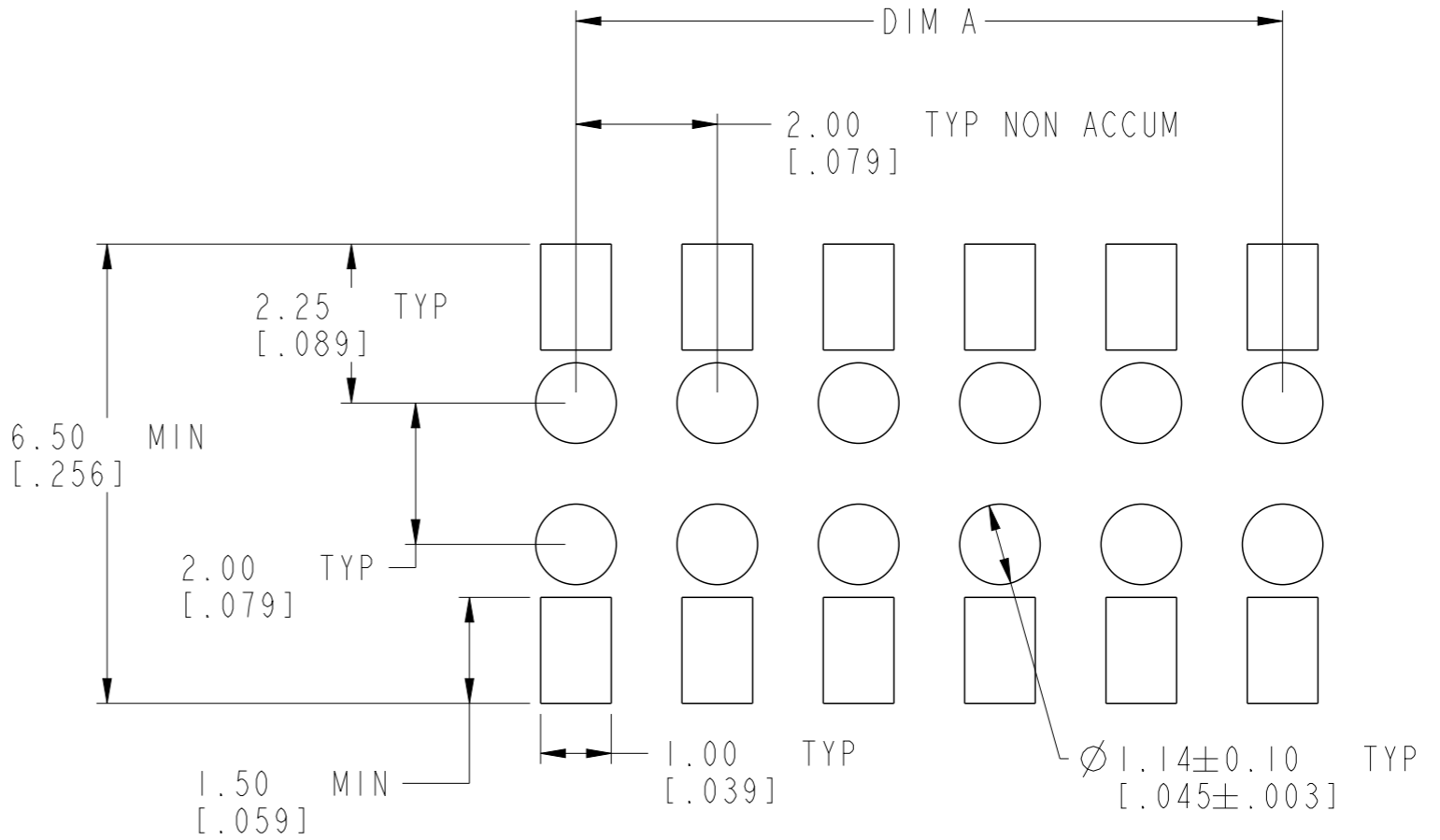
- (a) XXXXX-XXX ---STD PACKAGING IN TUBE.
- (b) XXXXX-XXXTR ---TAPE AND REEL (CONDUCTIVE) PACKAGING WITH PICK-UP CAP (SEE FIG 1).
- (c) XXXXX-XXXTRN ---TAPE AND REEL (CONDUCTIVE) PACKAGING WITHOUT PICK-UP CAP.
- (d) XXXXX-XXXCR ---TAPE AND REEL (NON-CONDUCTIVE) PACKAGING WITH PICK-UP CAP (SEE FIG 1).
- (e) XXXXX-XXXCRN ---TAPE AND REEL (NON-CONDUCTIVE) PACKAGING WITHOUT PICK-UP CAP.

7. SOLDER TAILS PLATING:

- a) SOLDER TAIL OF P/N:91596-XXX IS TIN/LEAD PLATED.
- b) SOLDER TAIL OF P/N:91596-XXXLF IS GOLD FLASH PLATED.

8. THE HOUSING WILL WITHSTAND EXPOSURE TO 255°C PEAK TEMPERATURE FOR 10 SECONDS IN A CONVECTION, INFRA-RED OR VAPOR PHASE REFLOW OVEN.

9. THIS PRODUCT MEETS EUROPEAN UNION DIRECTIVES AND OTHER COUNTRY REGULATIONS AS DESCRIBED IN GS-22-008.



RECOMMENDED PAD LAYOUT

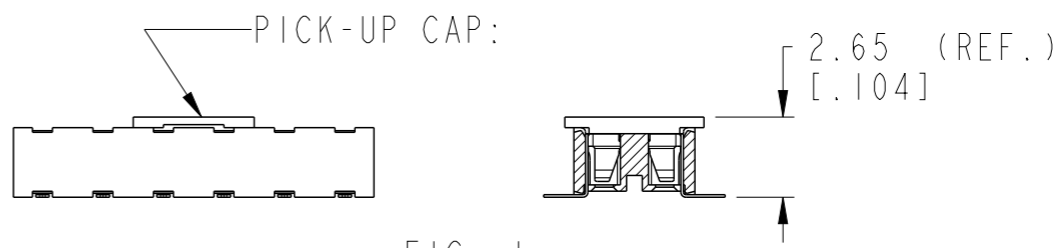


FIG. 1
NOTE 6 (b) & (d)

dr	Andrew Yong	2010/10/21	projection	MM / INCH	size	A3	scale	10:1	
eng	Guo-Min Sun	2013/01/29			ecn no		ELX-N-13923-1		
chr	-	-			rel level		Released		
appr	Rick Bian	2013/01/30	product family		LPVCC		rev		
			LOW PROFILE VCC			dwg no		91596	Y
			BOTTOM ENTRY SMT 2.3mm ASSY			cat. no.		-	Product - Customer Drw
www.fci.com			sheet 2 of 2			PDS: Rev :Y			

Copyright FCI. FCI

X-ON Electronics

Largest Supplier of Electrical and Electronic Components

Click to view similar products for [Headers & Wire Housings](#) category:

Click to view products by [FCT Electronics](#) manufacturer:

Other Similar products are found below :

[95000-104TRLF](#) [10135584-644402LF](#) [DF62W-EP2022PCA](#) [95000-106TRLF](#) [DF62W-2022SCA](#) [DF62W-EP2022PC](#) [2203348](#) [DF62W-2022SC](#) [1084018](#) [1029039](#) [1084017](#) [802-10-012-10-002000](#) [1112640](#) [1112639](#) [891-007-9SS-BST1T](#) [000-34000](#) [0008550134](#) [0009482033](#) [0009507031](#) [57102-F02-18ULF](#) [57102-S06-03LF](#) [57202-S52-04LF](#) [PCN6-15S-2.5E](#) [0039019024](#) [58102-G61-06LF](#) [582553-1](#) [0009485154](#) [0009508121](#) [0022285053](#) [0050291907](#) [018731A](#) [LY20-4P-DT1-P1E-BR](#) [02.125.8002.8](#) [60101931](#) [60598-1 \(Cut Strip\)](#) [M1625-3R/100](#) [61062-3](#) [61082-181009](#) [CSU011177004](#) [636-1427](#) [638009-1](#) [641938-9](#) [641991-4](#) [644168-1](#) [644827-2](#) [647662-1](#) [65039-019ELF](#) [65692-001LF](#) [65781-018](#) [65781-047](#)