

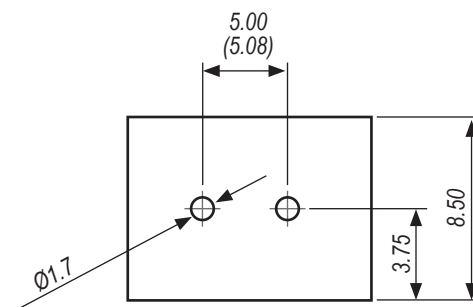
Vertical Terminal Block Header 20.95MV/xx-E (21.95MV/xx-E)

- 300V 15A UL
- UL94-V0
- PA66
- 5.00mm (5.80mm) Pin Pitch
- RoHS Compliant
- xx = Number of Poles (available from 2~24 poles)

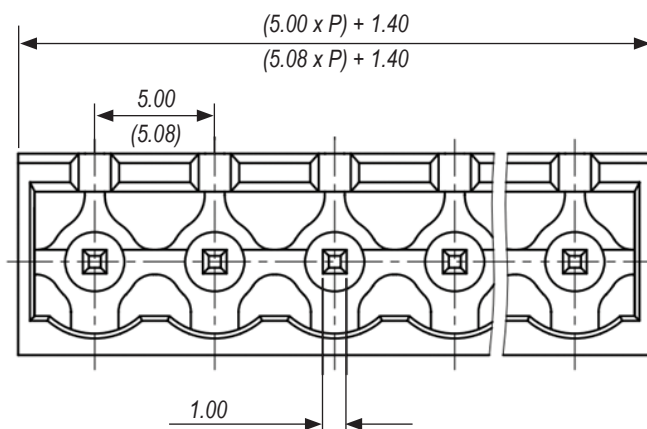
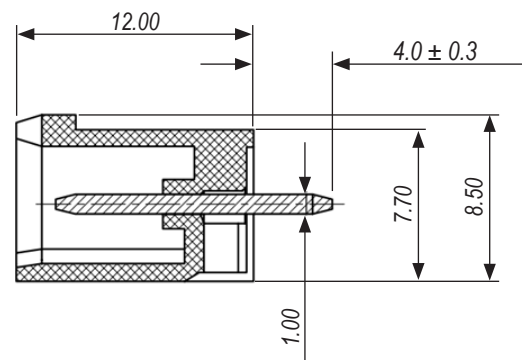


Technical Data

| | |
|----------------------------|-------------------|
| Pitch | 5.00mm (5.08mm) |
| UL Rating | 300V 15Amps |
| IEC Rating | 320V 20Amps |
| Solder Pin | Brass, Tin Plated |
| Wire Range | n/a |
| PCB Hole Diameter | 1.7mm |
| Screw | n/a |
| Screw Torque | n/a |
| Insulation Voltage | AC2000V / 1 Min |
| Initial Contact Resistance | 20MΩ |
| Insulation Resistance | 500MΩ / DC500V |
| Temperature Range | -40 to +105°C |
| Max Soldering | +250°C for 5 sec |



PCB Layout



Dimensions shown in mm P = No of Poles

Supplied in green as standard
Other colour options and printing may be available depending upon quantity
Please contact IMO for further information

X-ON Electronics

Largest Supplier of Electrical and Electronic Components

Click to view similar products for imo manufacturer:

Other Similar products are found below :

[20.155MV/12-E](#) [MC14N-S-10110AC](#) [DPS-1-030-24](#) [SRF-1C-SL-12VDC](#) [LDC18RRS](#) [SFSYE0111](#) [21.1500M/6-E](#) [20.3304M/2-E](#)
[21.910M/5-E](#) [20.95MA/2-E](#) [21.95MHF/2-E](#) [PE69-4032](#) [DPS-1-060-24](#) [CS20A-A2](#) [CS20A-U1](#) [VFC02](#) [MSSTC11DA06](#) [20.2500M/4-E](#)
[20.95MHF/3-E](#) [B3T10](#) [XKL-040-21](#) [20.3304M/4-E](#) [SRDH-1A-SL-24VDC](#) [20.2500M/5-E](#) [21.155MH/12](#) [SRRHN-2CN-SL-12VDC](#)
[QYE21XXF24DC](#) [20.920M/5-E](#) [21.1550MF/8-E](#) [20.910M/6-E](#) [20.95MH/3-E](#) [MC10N-S-10110AC](#) [21.95MV/3](#) [MB09-S-1024](#) [MA05-S-](#)
[01230AC](#) [SRRHN-2CN-SL-5VDC](#) [LB69-4040](#) [20.3001M/6](#) [SRGA-1A-SL-24VDC](#) [21.1500M/3-E](#) [21.95MHF/6-E](#) [20.95MV/2-E](#)
[20.155MV/4-E](#) [ER2.5BEIGE](#) [20.950M/2-E](#) [MT5 1-50-FAR](#) [BS3P3REDO](#) [MB12-S-10=24](#) [MA05-S-1024DC](#) [20.155MVF/8-E](#)