

Terminal Block Header Horizontal

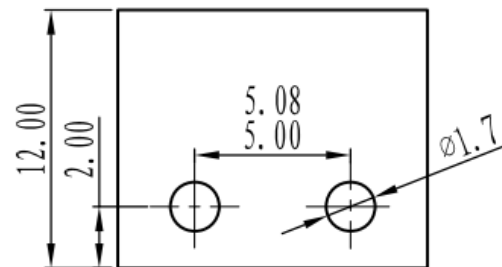
20.95MH/xx-E (21.95MH/xx-E)

- 300V 15A UL
- UL94-V0
- PA66
- 5.00mm (5.08mm) Pin Pitch
- RoHS Compliant
- xx = Number of Poles (available from 2~24 poles)

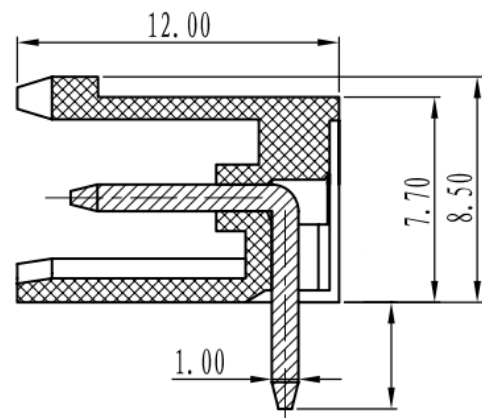
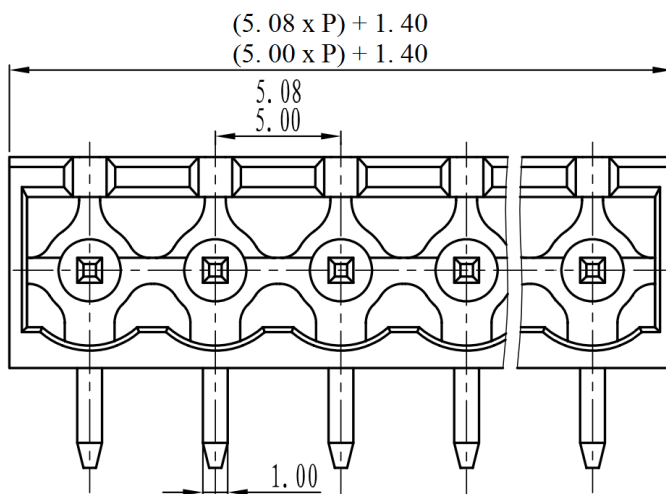


Technical Data

Pitch	5.00mm (5.08mm)
UL Rating	300V 15Amps
IEC Rating	320V 20Amps
Solder Pin	Brass, Tin Plated
Wire Range	n/a
PCB Hole Diameter	1.7mm
Screw	n/a
Screw Torque	n/a
Insulation Voltage	AC2000V / 1 Min
Initial Contact Resistance	20MΩ
Insulation Resistance	500MΩ / DC500V
Temperature Range	-40 to +105°C
Max Soldering	+250°C for 5 sec



PCB Layout



Dimensions shown in mm P = No of Poles

Supplied in green as standard
 Other colour options and printing may be available depending upon quantity
 Please contact IMO for further information

X-ON Electronics

Largest Supplier of Electrical and Electronic Components

Click to view similar products for imo manufacturer:

Other Similar products are found below :

[20.155MV/12-E](#) [MC14N-S-10110AC](#) [DPS-1-030-24](#) [SRF-1C-SL-12VDC](#) [LDC18RRS](#) [SFSYE0111](#) [21.1500M/6-E](#) [20.3304M/2-E](#)
[21.910M/5-E](#) [20.95MA/2-E](#) [21.95MHF/2-E](#) [PE69-4032](#) [DPS-1-060-24](#) [CS20A-A2](#) [CS20A-U1](#) [VFC02](#) [MSSTC11DA06](#) [20.2500M/4-E](#)
[20.95MHF/3-E](#) [B3T10](#) [XKL-040-21](#) [20.3304M/4-E](#) [SRDH-1A-SL-24VDC](#) [20.2500M/5-E](#) [21.155MH/12](#) [SRRHN-2CN-SL-12VDC](#)
[QYE21XXF24DC](#) [20.920M/5-E](#) [21.1550MF/8-E](#) [20.910M/6-E](#) [20.95MH/3-E](#) [MC10N-S-10110AC](#) [21.95MV/3](#) [MB09-S-1024](#) [MA05-S-](#)
[01230AC](#) [SRRHN-2CN-SL-5VDC](#) [LB69-4040](#) [20.3001M/6](#) [SRGA-1A-SL-24VDC](#) [21.1500M/3-E](#) [21.95MHF/6-E](#) [20.95MV/2-E](#)
[20.155MV/4-E](#) [ER2.5BEIGE](#) [20.950M/2-E](#) [MT5 1-50-FAR](#) [BS3P3REDO](#) [MB12-S-10=24](#) [MA05-S-1024DC](#) [20.155MVF/8-E](#)