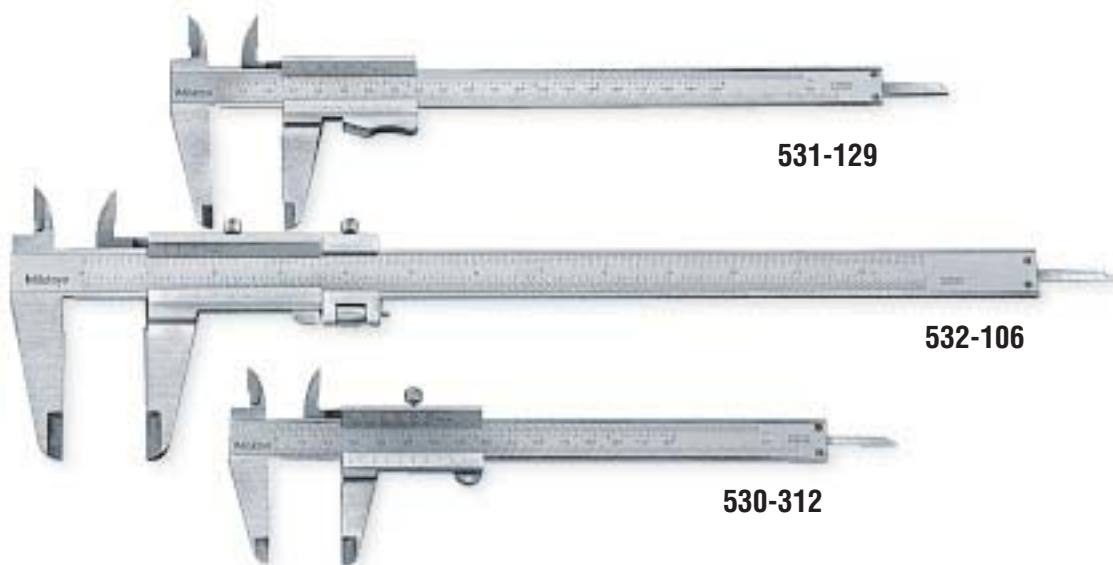


CALIPERS

Precision Vernier Calipers

Series 530, 531, 532



Features

- The finest of vernier calipers for accurate work, with Mitutoyo's exclusive "Quardi" 4-way measuring feature.
- Can measure OD, ID, depth and steps.
- Models available with a fine-adjustment carriage to fine-feed the slider.

Specifications

Vernier Caliper (with Fine Adjustment)

Inch

Order No.	Range		Vernier Resolution		Accuracy
	Lower scale	Upper scale	Lower scale	Upper scale	
532-104	0-5"	0-5"	.001"	1/128"	±.0015"
532-105	0-7"	0-7"	.001"	1/128"	±.0015"
532-106	0-11"	0-11"	.001"	1/128"	±.0015"

Inch/Metric

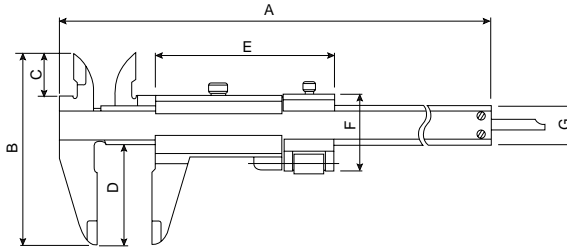
Order No.	Range		Vernier Resolution		Accuracy
	Lower scale	Upper scale	Lower scale	Upper scale	
532-119	0-130mm	0-5"	0.02mm	.001"	±0.03mm
532-120	0-180mm	0-7"	0.02mm	.001"	±0.03mm
532-121	0-280mm	0-11"	0.02mm	.001"	±0.04mm

CALIPERS

Dimensions (Fine Adjustment Type)

Order No.	A	B	C	D	E	F	G	t*
532-104	9.02"	3.05"	.65"	1.58"	3.0"	1.23"	.63"	.118"
532-119								
532-105	11.34"	3.58"	.81"	1.97"				
532-120								
532-106	15.87"	4.39"	.87"	2.52"	3.66"	1.5"	.79"	.150"
532-121								

* t : Jaw Thickness



Vernier Calipers

Inch

Order No.	Range		Vernier Resolution		Accuracy	Remarks
	Lower scale	Upper scale	Lower scale	Upper scale		
530-105	0-6"	0-6"	.001"	1/128"	±.0015"	
530-314	0-6"	0-6"	.001"	1/128"	±.0015"	with OD Carbide Jaw
530-116	0-8"	0-8"	.001"	1/128"	±.0015"	

Inch/Metric

Order No.	Range		Vernier Resolution		Accuracy	Remarks
	Lower scale	Upper scale	Lower scale	Upper scale		
530-104	0-150mm	0-6"	0.05mm	1/128"	±0.05mm	
530-312	0-150mm	0-6"	0.02mm	.001"	±0.03mm	
530-118	0-200mm	0-8"	0.02mm	.001"	±0.03mm	
530-115	0-300mm	0-12"	0.05mm	1/128"	±0.08mm	
530-119	0-300mm	0-12"	0.02mm	.001"	±0.04mm	
530-101	0-150mm	—	0.05mm	—	±0.05mm	
530-108	0-200mm	—	0.05mm	—	±0.05mm	
530-321	0-200mm	—	0.05mm	—	±0.05mm	with OD Carbide Jaw
530-109	0-300mm	—	0.05mm	—	±0.08mm	
530-322	0-300mm	—	0.05mm	—	±0.08mm	with OD Carbide Jaw
530-501	0-600mm	—	0.05mm	—	±0.10mm	

Vernier Caliper (with Thumb Clamp)

Inch

Order No.	Range		Vernier Resolution		Accuracy
	Lower scale	Upper scale	Lower scale	Upper scale	
531-113	0-6"	0-6"	.001"	1/128"	±.0015"
531-114	0-8"	0-8"	.001"	1/128"	±.0015"

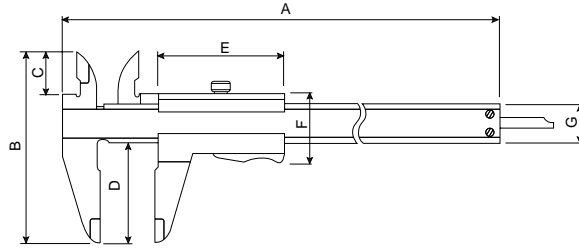
Inch/Metric

Order No.	Range		Vernier Resolution		Accuracy
	Lower scale	Upper scale	Lower scale	Upper scale	
531-107	0-150mm	0-6"	0.05mm	1/128"	±0.05mm
531-128	0-150mm	0-6"	0.02mm	.001"	±0.03mm
531-108	0-200mm	0-8"	0.05mm	1/128"	±0.05mm
531-129	0-200mm	0-8"	0.02mm	.001"	±0.03mm

CALIPERS

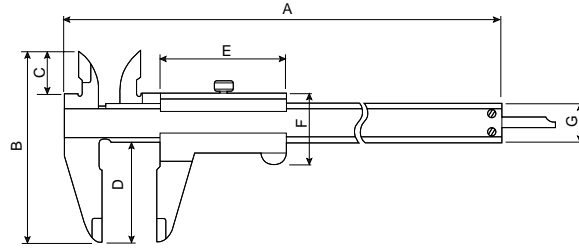
Dimensions (Thumb Clamp Type)

Order No.	A	B	C	D	E	F	G
531-113 531-107 531-128	9.02"	3.05"	.65"	1.58"	2.11"	1.22"	.63"
531-114 531-108 531-129	11.34"	3.58"	.81"	1.97"			



Dimensions (Vernier Calipers)

Order No.	A	B	C	D	E	F	G			
530-105 530-314 530-104 530-312 530-101	9.02"	3.05"	.65"	1.58"	2.13"	1.18"	.63"			
530-116 530-118 530-108 530-321	11.34"	3.58"	.81"	1.97"						
530-115 530-119 530-109 530-322	15.87"	4.39"	.87"	2.52"				2.64"	1.42"	.79"
530-501	30.71"	6.38"	1.5"	3.54"				3.54"	1.97"	.98"



X-ON Electronics

Largest Supplier of Electrical and Electronic Components

Click to view similar products for [mitutoyo](#) manufacturer:

Other Similar products are found below :

[2109S-10](#) [530-104](#) [103-129](#) [500-171-30](#) [7010SN](#) [148-104](#) [530-118](#) [293-832](#) [959150](#) [2046SB](#) [543-391B](#) [500-184-30](#) [102-301](#) [575-123](#) [148-201](#) [500-196-30](#) [2046S](#) [7301](#)