

# W4E400A Series

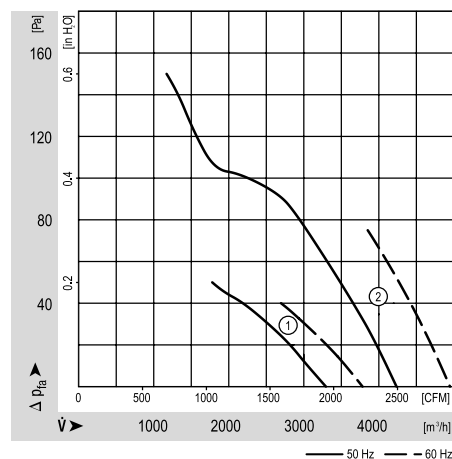
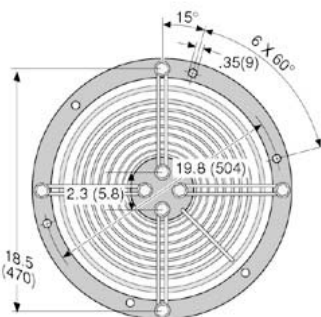
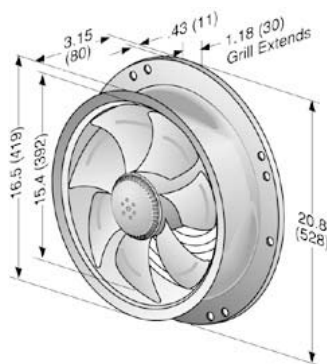
Axial



## Ø 400mm S-Range

- ebm-papst offers a wide range of AC axial fans to optimally fit any application.
- All metal construction, shallow profile, round venturi plate. Reduced noise and highly efficient compared to other fans.
- Mounting plate with 9 mm holes. Ready to install.
- Discharge over struts: Dir. of rotation is CCW looking at rotor.
- Inlet over struts: Dir. of rotation is CW looking at rotor.
- Maintenance-free ball bearings.
- UL, CSA, VDE approvals on most models, please contact application engineering.

| Part Number    | Curve | CFM @ 0 | VAC | Hertz | Power (W) | dBA | Max Amb. Temp C | Bearing Type | Features | Capacitor (µF) | Grill Position | Wgt. (lbs) |
|----------------|-------|---------|-----|-------|-----------|-----|-----------------|--------------|----------|----------------|----------------|------------|
| W6E400-CP34-70 | 1     | 2225    | 115 | 50/60 | 170       | 62  | 40              | Ball         | Leads    | 10             | Dischg         | 8.82       |
| W6E400-CP34-71 | 1     | 2225    | 115 | 50/60 | 170       | 62  | 40              | Ball         | Leads    | 10             | Inlet          | 8.82       |
| W4E400-CP14-71 | 2     | 2910    | 115 | 50/60 | 240       | 73  | 40              | Ball         | Leads    | 20             | Inlet          | 9.26       |
| W6E400-CP10-70 | 1     | 2225    | 230 | 50/60 | 170       | 62  | 40              | Ball         | Leads    | 3              | Dischg         | 8.82       |
| W6E400-CP10-71 | 1     | 2225    | 230 | 50/60 | 170       | 62  | 40              | Ball         | Leads    | 3              | Inlet          | 8.82       |
| W4E400-CP02-70 | 2     | 2910    | 230 | 50/60 | 240       | 73  | 40              | Ball         | Leads    | 8              | Dischg         | 9.26       |
| W4E400-CP02-71 | 2     | 2910    | 230 | 50/60 | 240       | 73  | 40              | Ball         | Leads    | 8              | Inlet          | 9.26       |



## X-ON Electronics

Largest Supplier of Electrical and Electronic Components

*Click to view similar products for [AC Fans](#) category:*

*Click to view products by [ebm papst](#) manufacturer:*

Other Similar products are found below :

[M2E068-DF13-79](#) [F1238H24B-FHR](#) [8850A](#) [G9225S05B2-FSR](#) [A2D200-AA04-41](#) [A2E165-AA17-01](#) [R2D140-AB02-14](#) [R4D310-AS18-01](#)  
[R4D400-AD22-06](#) [R4E180-AS11-09](#) [AD0912HB-A7BGL](#) [1500-FAN-01](#) [25.001.1856.0](#) [25.320.1153.1](#) [25.320.1353.1](#) [25.320.4753.1](#)  
[25.320.5453.1](#) [25.330.1353.1](#) [25.330.4853.1](#) [25.330.5153.1](#) [25.330.5353.1](#) [25.340.1053.1](#) [25.350.5253.0](#) [25.600.4053.0](#) [272DL-2LP11-000](#)  
[S2E250-AL06-70](#) [A2D210-AB10-05](#) [A2D240-AA02-02](#) [A2D250-AE22-06](#) [A2E170-AF23-01](#) [F1238S24BT-FSR](#) [25.000.1856.0](#)  
[25.000.2056.0](#) [25.010.1856.0](#) [25.220.3953.1](#) [25.332.2453.1](#) [25.340.0453.1](#) [25.345.5353.0](#) [25.352.1853.0](#) [281DS-2LP11-000B](#) [281DY-](#)  
[1LP14-000B](#) [298DM-2LP11-000](#) [298DS-2LP11-000A](#) [R2S150-AD08-09](#) [344DY-1LP11-000](#) [D2E146-CD51-09](#) [39.703.0253.0](#)  
[USTF1203224VHW](#) [3915100996-SA3](#) [3G2C7MC224](#)