

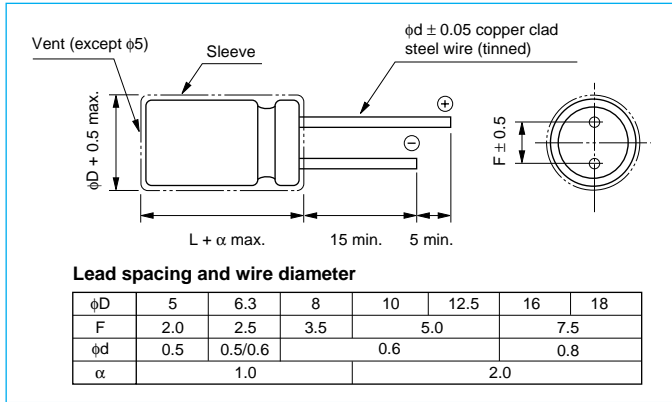


RJH Miniature Aluminum Electrolytic Capacitors

Series RJH High-Frequency, Extra Low-impedance Type

- Very high reliability, biodegradable..
- High-frequency, Extra Low-impedanceType.
- Guaranteed for 5000 hours at 105°C (2000 hours for $\phi 5$ to $\phi 6.3$) (3000 hours for $\phi 8$ to $\phi 10$)

Outline Drawing



Photo



Specifications

Unit: mm

No.	Item	Performance																											
1	Temperature range (°C)	-55 to +105																											
2	Leakage current (μA)	Less than 0.01 CV + 2 (after two minutes) C: Capacitance (μF), V: Voltage (V)																											
3	Capacitance tolerance (%)	± 20 (20°C, 120 Hz)																											
4	Tangent of loss angle (tan δ)	<table border="1"> <thead> <tr> <th>Rated voltage (V)</th> <th>6.3</th> <th>10</th> <th>16</th> <th>25</th> <th>35</th> <th>50</th> <th>63</th> <th>100</th> </tr> </thead> <tbody> <tr> <td>tan δ</td> <td>0.22</td> <td>0.19</td> <td>0.16</td> <td>0.14</td> <td>0.12</td> <td>0.10</td> <td>0.08</td> <td>0.07</td> </tr> </tbody> </table> <p>0.02 is added to each 1000μF increase over 1000μF</p>	Rated voltage (V)	6.3	10	16	25	35	50	63	100	tan δ	0.22	0.19	0.16	0.14	0.12	0.10	0.08	0.07									
Rated voltage (V)	6.3	10	16	25	35	50	63	100																					
tan δ	0.22	0.19	0.16	0.14	0.12	0.10	0.08	0.07																					
5	Stability at low temperature	<table border="1"> <thead> <tr> <th>Rated voltage (V)</th> <th>6.3</th> <th>10</th> <th>16</th> <th>25</th> <th>35</th> <th>50</th> <th>63</th> <th>100</th> </tr> </thead> <tbody> <tr> <td>Impedance ratio</td> <td colspan="2">Z-25°C/Z+20°C</td> <td colspan="2">2</td> <td colspan="4"></td> </tr> <tr> <td></td> <td colspan="2">Z-55°C/Z+20°C</td> <td colspan="2">3</td> <td colspan="4"></td> </tr> </tbody> </table> <p>(120 Hz)</p>	Rated voltage (V)	6.3	10	16	25	35	50	63	100	Impedance ratio	Z-25°C/Z+20°C		2							Z-55°C/Z+20°C		3					
Rated voltage (V)	6.3	10	16	25	35	50	63	100																					
Impedance ratio	Z-25°C/Z+20°C		2																										
	Z-55°C/Z+20°C		3																										
6	Endurance (105°C) (Applied ripple current)	<table border="1"> <thead> <tr> <th>Test time</th> <th>5000 hrs ($\phi 5$ to $\phi 6.3$ 2000 hrs, $\phi 8$ to $\phi 10$ is 3000 hrs)</th> </tr> </thead> <tbody> <tr> <td>Leakage current</td> <td>Initial specified value or less</td> </tr> <tr> <td>Change in capacitance</td> <td>Within $\pm 20\%$ of initial value</td> </tr> <tr> <td>tan δ</td> <td>200% or less of initial specified value</td> </tr> </tbody> </table>	Test time	5000 hrs ($\phi 5$ to $\phi 6.3$ 2000 hrs, $\phi 8$ to $\phi 10$ is 3000 hrs)	Leakage current	Initial specified value or less	Change in capacitance	Within $\pm 20\%$ of initial value	tan δ	200% or less of initial specified value																			
Test time	5000 hrs ($\phi 5$ to $\phi 6.3$ 2000 hrs, $\phi 8$ to $\phi 10$ is 3000 hrs)																												
Leakage current	Initial specified value or less																												
Change in capacitance	Within $\pm 20\%$ of initial value																												
tan δ	200% or less of initial specified value																												
7	Max. storage temp. (105°C)	<table border="1"> <thead> <tr> <th>Test time</th> <th>1000 hrs</th> </tr> </thead> <tbody> <tr> <td>Leakage current</td> <td>Initial specified value or less</td> </tr> <tr> <td>Change in capacitance</td> <td>Within $\pm 15\%$ of initial value</td> </tr> <tr> <td>tan δ</td> <td>150% or less of initial specified value</td> </tr> </tbody> </table>	Test time	1000 hrs	Leakage current	Initial specified value or less	Change in capacitance	Within $\pm 15\%$ of initial value	tan δ	150% or less of initial specified value																			
Test time	1000 hrs																												
Leakage current	Initial specified value or less																												
Change in capacitance	Within $\pm 15\%$ of initial value																												
tan δ	150% or less of initial specified value																												
8	Applicable Standards	JIS C 5102 and JIS C5141																											

Coefficients of Frequency for Ripple Current

Capacitance (μF)	Frequency (Hz)	120	1 k	10 k	100 k
0.47 to 4.7		0.40	0.68	0.78	1
5.6 to 47		0.50	0.76	0.87	1
56 to 270		0.70	0.85	0.90	1
330 to 1000		0.80	0.93	0.98	1
1200 to 15000		0.90	0.95	1	1

Coefficients of Temperature for Ripple Current

Temperature (°C)	+70 or less	+85	+105
Coefficients	1.96	1.68	1

Radial Type

RJH



RJH Miniature Aluminum Electrolytic Capacitors

Case size by working voltage & capacitance (in mm)

(mm)

WV(V) Cap.(µF)	6.3	10	16	25	35	50	63	100
0.47						5 x 11.5		
1						5 x 11.5		
2.2						5 x 11.5		
3.3						5 x 11.5		
4.7						5 x 11.5		
5.6								5 x 11.5
8.2								5 x 15
10						5 x 11.5		
12							5 x 11.5	6.3 x 11.5
18						5 x 11.5	5 x 15	6.3 x 15
22								8 x 12
27					5 x 11.5	5 x 15	6.3 x 11.5	10 x 12.5
33								8 x 15 / 10 x 16
39				5 x 11.5	5 x 15	6.3 x 11.5	6.3 x 15	8 x 20
47							8 x 12	
56			5 x 11.5	5 x 15	6.3 x 11.5	6.3 x 15	10 x 12.5	10 x 20
68						8 x 12	8 x 15 / 10 x 16	10 x 25 / 12.5 x 15
82		5 x 11.5	5 x 15	6.3 x 11.5	6.3 x 15	8 x 15 / 10 x 12.5	8 x 20	
100	5 x 11.5	5 x 15				10 x 16		10 x 30 / 12.5 x 20
120			6.3 x 11.5	6.3 x 15	8 x 12	8 x 20	10 x 20	12.5 x 25 / 16 x 15
150	5 x 15				10 x 12.5		10 x 25 / 12.5 x 15	18 x 15
180		6.3 x 11.5	6.3 x 15	8 x 12	8 x 15 / 10 x 16	10 x 20 / 12.5 x 15	10 x 30	12.5 x 30 / 16 x 20
220	6.3 x 11.5	6.3 x 15		8 x 15 / 10 x 12.5	8 x 20	10 x 25	12.5 x 20 / 16 x 15	12.5 x 35 / 16 x 25
270			8 x 12	10 x 16			12.5 x 25	12.5 x 40 / 18 x 20
330	6.3 x 15	8 x 12	8 x 15 / 10 x 12.5	8 x 20	10 x 20 / 12.5 x 15	10x30/12.5x20/16x15	18 x 15	16 x 31.5 / 18 x 25
390			10 x 16		10 x 25		12.5 x 30 / 16 x 20	16 x 35.5 / 18 x 31.5
470	8 x 12	8 x 15 / 10 x 12.5	8 x 20	10 x 20 / 12.5 x 15		12.5 x 25 / 18 x 15	12.5 x 35 / 18 x 20	16 x 40
560		10 x 16		10 x 25	10x30/12.5x20/16x15	12.5 x 30	12.5 x 40 / 18 x 20	18 x 35.5
680	8 x 15 / 10 x 12.5	8 x 20	10 x 20 / 12.5 x 15		12.5 x 25 / 18 x 15	12.5 x 35 / 16 x 20	16 x 31.5 / 18 x 25	18 x 40
820	10 x 16		10 x 25	10x30/12.5x20/16x15		12.5x40/16x25/18x20	16 x 35.5 / 18 x 31.5	
1000	8 x 20	10 x 20 / 12.5 x 15		12.5 x 25	12.5 x 30 / 16 x 20	16 x 31.5 / 18 x 25	16 x 40 / 18 x 35	
1200	10 x 20 / 12.5 x 15	10 x 25	10 x 30 / 12.5 x 20	18 x 15	12.5x35/16x25/18x20	16 x 35.5	18 x 40	
1500	10 x 25	10 x 30	12.5x25/16x15/18x15	12.5 x 30 / 16 x 20	12.5 x 40	16 x 40 / 18 x 31.5		
1600		12.5 x 20						
1800		16 x 15		12.5x35/16x25/18x20	16 x 31.5 / 18 x 25	18 x 35.5		
2200	10 x 30 / 12.5 x 20	12.5 x 25 / 18 x 15	12.5 x 30 / 16 x 20	12.5 x 40	16 x 35.5 / 18 x 31.5	18 x 40		
2700	12.5 x 25 / 16 x 15	12.5 x 30	12.5x35/16x25/18x20	16 x 31.5 / 18 x 25	16 x 40 / 18 x 35.5			
3300	18 x 15	12.5 x 35 / 16 x 20	12.5 x 40	16 x 35.5 / 18 x 31.5	18 x 40			
3900	12.5 x 30	12.5x40/16x25/18x20	16 x 31.5 / 18 x 25	16 x 40 / 18 x 35.5				
4700	12.5 x 35 / 16 x 20	18 x 25	16 x 35.5 / 18 x 31.5	18 x 40				
5600	12.5x40/16x25/18x20	16 x 31.5	16 x 40					
6800	16 x 31.5 / 18 x 25	16 x 35.5 / 18 x 31.5	18 x 35.5					
8200	16 x 31.5	16 x 40 / 18 x 35.5	18 x 40					
10000	18 x 31.5	18 x 40						
12000	16 x 40 / 18 x 35.5							
15000	18 x 40							

Radial Type
RJH



RJH Miniature Aluminum Electrolytic Capacitors

Standard Ratings

ELNA PART NO. / WV (V)	CAP. (μF)	SIZE (φ x L) (mm)	tan δ	IMPEDANCE (Ω)		Rip Cur. (mA rms)
				20°C	-10°C	
6.3 V						
RJH-6V101ME3	100	5 x 11.5	0.22	0.65	1.46	175
RJH-6V151ME4	150	5 x 15	0.22	0.46	1.04	235
RJH-6V221MF3	220	6.3 x 11.5	0.22	0.31	0.70	290
RJH-6V331MF4	330	6.3 x 15	0.22	0.20	0.45	400
RJH-6V471MG3	470	8 x 12	0.22	0.17	0.38	488
RJH-6V681MG4	680	8 x 15	0.22	0.13	0.29	617
RJH-6V681MH3	680	10 x 12.5	0.22	0.10	0.23	625
RJH-6V821MH4	820	10 x 16	0.22	0.080	0.18	825
RJH-6V102MG5	1000	8 x 20	0.22	0.095	0.21	800
RJH-6V122MH5	1200	10 x 20	0.22	0.062	0.14	1010
RJH-6V122MI4	1200	12.5 x 15	0.22	0.062	0.14	1010
RJH-6V152MH6	1500	10 x 25	0.22	0.052	0.12	1190
RJH-6V222MH7	2200	10 x 30	0.24	0.044	0.099	1440
RJH-6V222MI5	2200	12.5 x 20	0.24	0.042	0.095	1400
RJH-6V272MI6	2700	12.5 x 25	0.24	0.034	0.076	1690
RJH-6V272MJ4	2700	16 x 15	0.24	0.046	0.10	1310
RJH-6V332MK4	3300	18 x 15	0.26	0.043	0.097	1460
RJH-6V392MI7	3900	12.5 x 30	0.26	0.030	0.068	1950
RJH-6V472MI8	4700	12.5 x 35	0.28	0.024	0.054	2220
RJH-6V472MJ5	4700	16 x 20	0.28	0.034	0.077	1660
RJH-6V562MI9	5600	12.5 x 40	0.30	0.021	0.047	2390
RJH-6V562MJ6	5600	16 x 25	0.30	0.028	0.063	2070
RJH-6V562MK5	5600	18 x 20	0.30	0.030	0.068	1850
RJH-6V682MJ7	6800	16 x 31.5	0.32	0.025	0.056	2350
RJH-6V682MK6	6800	18 x 25	0.32	0.027	0.061	2120
RJH-6V822MJ8	8200	16 x 35.5	0.36	0.022	0.050	2550
RJH-6V103MK7	10000	18 x 31.5	0.38	0.023	0.052	2410
RJH-6V123MJ9	12000	16 x 40	0.42	0.018	0.041	2970
RJH-6V123MK8	12000	18 x 35.5	0.42	0.019	0.043	2680
RJH-6V153MK9	15000	18 x 40	0.48	0.017	0.038	3010
10 V						
RJH-10V820ME3	82	5 x 11.5	0.19	0.65	1.46	175
RJH-10V101ME4	100	5 x 15	0.19	0.46	1.04	235
RJH-10V181MF3	180	6.3 x 11.5	0.19	0.31	0.70	290
RJH-10V221MF4	220	6.3 x 15	0.19	0.20	0.45	400
RJH-10V331MG3	330	8 x 12	0.19	0.17	0.38	488

ELNA PART NO. / WV (V)	CAP. (μF)	SIZE (φ x L) (mm)	tan δ	IMPEDANCE (Ω)		Rip Cur. (mA rms)
				20°C	-10°C	
RJH-10V471MG4	470	8 x 15	0.19	0.13	0.29	617
RJH-10V471MH3	470	10 x 12.5	0.19	0.10	0.23	625
RJH-10V561MH4	560	10 x 16	0.19	0.080	0.18	825
RJH-10V681MG5	680	8 x 20	0.19	0.095	0.21	800
RJH-10V102MH5	1000	10 x 20	0.19	0.062	0.14	1010
RJH-10V102MI4	1000	12.5 x 15	0.19	0.062	0.14	1010
RJH-10V122MH6	1200	10 x 25	0.19	0.052	0.12	1190
RJH-10V152MH7	1500	10 x 30	0.19	0.044	0.099	1440
RJH-10V182MI5	1800	12.5 x 20	0.19	0.042	0.095	1400
RJH-10V182MJ4	1800	16 x 15	0.19	0.046	0.10	1310
RJH-10V222MI6	2200	12.5 x 25	0.21	0.034	0.076	1690
RJH-10V222MK4	2200	18 x 15	0.21	0.043	0.097	1460
RJH-10V272MI7	2700	12.5 x 30	0.21	0.030	0.068	1950
RJH-10V332MI8	3300	12.5 x 35	0.23	0.024	0.054	2220
RJH-10V332MJ5	3300	16 x 20	0.23	0.034	0.077	1660
RJH-10V392MI9	3900	12.5 x 40	0.23	0.021	0.047	2390
RJH-10V392MJ6	3900	16 x 25	0.23	0.028	0.063	2070
RJH-10V392MK5	3900	18 x 20	0.23	0.030	0.068	1850
RJH-10V472MK6	4700	18 x 25	0.25	0.027	0.061	2120
RJH-10V562MJ7	5600	16 x 31.5	0.27	0.025	0.056	2350
RJH-10V682MJ8	6800	16 x 35.5	0.29	0.022	0.050	2550
RJH-10V682MK7	6800	18 x 31.5	0.29	0.023	0.052	2410
RJH-10V822MJ9	8200	16 x 40	0.33	0.018	0.041	2970
RJH-10V822MK8	8200	18 x 35.5	0.33	0.019	0.043	2680
RJH-10V103MK9	10000	18 x 40	0.35	0.017	0.038	3010
16 V						
RJH-16V560ME3	56	5 x 11.5	0.16	0.65	1.46	175
RJH-16V820ME4	82	5 x 15	0.16	0.46	1.04	235
RJH-16V121MF3	120	6.3 x 11.5	0.16	0.31	0.70	290
RJH-16V181MF4	180	6.3 x 15	0.16	0.20	0.45	400
RJH-16V271MG3	270	8 x 12	0.16	0.17	0.38	488
RJH-16V331MG4	330	8 x 15	0.16	0.13	0.29	617
RJH-16V331MH3	330	10 x 12.5	0.16	0.10	0.23	625
RJH-16V391MH4	390	10 x 16	0.16	0.080	0.18	825
RJH-16V471MG5	470	8 x 20	0.16	0.095	0.21	800
RJH-16V681MH5	680	10 x 20	0.16	0.062	0.14	1010
RJH-16V681MI4	680	12.5 x 15	0.16	0.062	0.14	1010

Radial Type

RJH

Note: Impedance 100 kHz
Allowable Ripple Current 100 kHz at 105°C



RJH Miniature Aluminum Electrolytic Capacitors

Standard Ratings

ELNA PART NO. / WV (V)	CAP. (μF)	SIZE (φ x L) (mm)	tan δ	IMPEDANCE (Ω)		Rip Cur. (mArms)
				20°C	-10°C	
RJH-16V821MH6	820	10 x 25	0.16	0.052	0.12	1190
RJH-16V122MH7	1200	10 x 30	0.16	0.044	0.099	1440
RJH-16V122MI5	1200	12.5 x 20	0.16	0.042	0.095	1400
RJH-16V152MI6	1500	12.5 x 25	0.16	0.034	0.076	1690
RJH-16V152MJ4	1500	16 x 15	0.16	0.046	0.10	1310
RJH-16V152MK4	1500	18 x 15	0.16	0.043	0.097	1460
RJH-16V222MI7	2200	12.5 x 30	0.18	0.030	0.068	1950
RJH-16V222MJ5	2200	16 x 20	0.18	0.034	0.077	1660
RJH-16V272MI8	2700	12.5 x 35	0.18	0.024	0.054	2200
RJH-16V272MJ6	2700	16 x 25	0.18	0.028	0.063	2070
RJH-16V272MK5	2700	18 x 20	0.18	0.030	0.068	1850
RJH-16V332MI9	3300	12.5 x 40	0.20	0.021	0.047	2390
RJH-16V392MJ7	3900	16 x 31.5	0.20	0.025	0.056	2350
RJH-16V392MK6	3900	18 x 25	0.20	0.027	0.061	2120
RJH-16V472MJ8	4700	16 x 35.5	0.22	0.022	0.050	2550
RJH-16V472MK7	4700	18 x 31.5	0.22	0.023	0.052	2410
RJH-16V562MJ9	5600	16 x 40	0.24	0.018	0.041	2970
RJH-16V682MK8	6800	18 x 35.5	0.26	0.019	0.043	2680
RJH-16V822MK9	8200	18 x 40	0.30	0.017	0.038	3010
25 V						
RJH-25V390ME3	39	5 x 11.5	0.14	0.65	1.46	175
RJH-25V560ME4	56	5 x 15	0.14	0.46	1.04	235
RJH-25V820MF3	82	6.3 x 11.5	0.14	0.31	0.70	290
RJH-25V121MF4	120	6.3 x 15	0.14	0.20	0.45	400
RJH-25V181MG3	180	8 x 12	0.14	0.17	0.38	488
RJH-25V221MG4	220	8 x 15	0.14	0.13	0.29	617
RJH-25V221MH3	220	10 x 12.5	0.14	0.10	0.23	625
RJH-25V271MH4	270	10 x 16	0.14	0.080	0.18	825
RJH-25V331MG5	330	8 x 20	0.14	0.095	0.21	800
RJH-25V471MH5	470	10 x 20	0.14	0.062	0.14	1010
RJH-25V471MI4	470	12.5 x 15	0.14	0.062	0.14	1010
RJH-25V561MH6	560	10 x 25	0.14	0.052	0.12	1190
RJH-25V821MH7	820	10 x 30	0.14	0.044	0.099	1440
RJH-25V821MI5	820	12.5 x 20	0.14	0.042	0.095	1400
RJH-25V821MJ4	820	16 x 15	0.14	0.046	0.10	1310
RJH-25V102MI6	1000	12.5 x 25	0.14	0.034	0.076	1690
RJH-25V122MK4	1200	18 x 15	0.14	0.043	0.097	1460

ELNA PART NO. / WV (V)	CAP. (μF)	SIZE (φ x L) (mm)	tan δ	IMPEDANCE (Ω)		Rip Cur. (mArms)
				20°C	-10°C	
RJH-25V152MI7	1500	12.5 x 30	0.14	0.030	0.068	1950
RJH-25V152MJ5	1500	16 x 20	0.14	0.034	0.077	1660
RJH-25V182MI8	1800	12.5 x 35	0.14	0.024	0.054	2200
RJH-25V182MJ6	1800	16 x 25	0.14	0.028	0.063	2070
RJH-25V182MK5	1800	18 x 20	0.14	0.030	0.068	1850
RJH-25V222MI9	2200	12.5 x 40	0.16	0.021	0.047	2390
RJH-25V272MJ7	2700	16 x 31.5	0.16	0.025	0.056	2350
RJH-25V272MK6	2700	18 x 25	0.16	0.027	0.061	2120
RJH-25V332MJ8	3300	16 x 35.5	0.18	0.022	0.050	2550
RJH-25V332MK7	3300	18 x 31.5	0.18	0.023	0.052	2410
RJH-25V392MJ9	3900	16 x 40	0.18	0.018	0.041	2970
RJH-25V392MK8	3900	18 x 35.5	0.18	0.019	0.043	2680
RJH-25V472MK9	4700	18 x 40	0.20	0.017	0.038	3010
35 V						
RJH-35V270ME3	27	5 x 11.5	0.12	0.65	1.46	175
RJH-35V390ME4	39	5 x 15	0.12	0.46	1.04	235
RJH-35V560MF3	56	6.3 x 11.5	0.12	0.31	0.70	290
RJH-35V820MF4	82	6.3 x 15	0.12	0.20	0.45	400
RJH-35V121MG3	120	8 x 12	0.12	0.17	0.38	488
RJH-35V151MH3	150	10 x 12.5	0.12	0.10	0.23	625
RJH-35V181MG4	180	8 x 15	0.12	0.13	0.29	617
RJH-35V181MH4	180	10 x 16	0.12	0.080	0.18	825
RJH-35V221MG5	220	8 x 20	0.12	0.095	0.21	800
RJH-35V331MH5	330	10 x 20	0.12	0.062	0.14	1010
RJH-35V331MI4	330	12.5 x 15	0.12	0.062	0.14	1010
RJH-35V391MH6	390	10 x 25	0.12	0.052	0.12	1190
RJH-35V561MH7	560	10 x 30	0.12	0.044	0.099	1440
RJH-35V561MI5	560	12.5 x 20	0.12	0.042	0.095	1400
RJH-35V561MJ4	560	16 x 15	0.12	0.046	0.10	1310
RJH-35V681MI6	680	12.5 x 25	0.12	0.034	0.076	1690
RJH-35V681MK4	680	18 x 15	0.12	0.043	0.097	1460
RJH-35V102MI7	1000	12.5 x 30	0.12	0.030	0.068	1950
RJH-35V102MJ5	1000	16 x 20	0.12	0.034	0.077	1660
RJH-35V122MI8	1200	12.5 x 35	0.12	0.024	0.054	2200
RJH-35V122MJ6	1200	16 x 25	0.12	0.028	0.063	2070
RJH-35V122MK5	1200	18 x 20	0.12	0.030	0.068	1850
RJH-35V152MI9	1500	12.5 x 40	0.12	0.021	0.047	2390

Note: Impedance 100 kHz
Allowable Ripple Current 100 kHz at 105°C



RJH Miniature Aluminum Electrolytic Capacitors

Standard Ratings

ELNA PART NO. / WV (V)	CAP. (µF)	SIZE (ø x L) (mm)	tan δ	IMPEDANCE (Ω)		Rip Cur. (mAmps)
				20°C	-10°C	
RJH-35V182MJ7	1800	16 x 31.5	0.12	0.025	0.056	2350
RJH-35V182MK6	1800	18 x 25	0.12	0.027	0.061	2120
RJH-35V222MJ8	2200	16 x 35.5	0.14	0.022	0.050	2550
RJH-35V222MK7	2200	18 x 31.5	0.14	0.023	0.052	2410
RJH-35V272MJ9	2700	16 x 40	0.14	0.018	0.041	2970
RJH-35V272MK8	2700	18 x 35.5	0.14	0.019	0.043	2680
RJH-35V332MK9	3300	18 x 40	0.16	0.017	0.038	3010
50 V						
RJH-50VR47ME3	0.47	5 x 11.5	0.10	3.9	7.8	22
RJH-50V010ME3	1	5 x 11.5	0.10	3.5	7.0	36
RJH-50V2R2ME3	2.2	5 x 11.5	0.10	3.0	6.0	54
RJH-50V3R3ME3	3.3	5 x 11.5	0.10	2.6	5.2	63
RJH-50V4R7ME3	4.7	5 x 11.5	0.10	2.2	4.4	75
RJH-50V100ME3	10	5 x 11.5	0.10	1.4	2.8	110
RJH-50V180ME3	18	5 x 11.5	0.10	0.95	1.9	120
RJH-50V270ME4	27	5 x 15	0.10	0.66	1.32	135
RJH-50V390MF3	39	6.3 x 11.5	0.10	0.43	0.86	148
RJH-50V560MF4	56	6.3 x 15	0.10	0.33	0.66	153
RJH-50V680MG3	68	8 x 12	0.10	0.20	0.40	360
RJH-50V820MG4	82	8 x 15	0.10	0.18	0.36	460
RJH-50V820MH3	82	10 x 12.5	0.10	0.18	0.36	443
RJH-50V101MH4	100	10 x 16	0.10	0.15	0.30	553
RJH-50V121MG5	120	8 x 20	0.10	0.13	0.26	670
RJH-50V181MH5	180	10 x 20	0.10	0.085	0.17	676
RJH-50V181MI4	180	12.5 x 15	0.10	0.095	0.19	745
RJH-50V221MH6	220	10 x 25	0.10	0.075	0.15	876
RJH-50V331MH7	330	10 x 30	0.10	0.055	0.11	1010
RJH-50V331MI5	330	12.5 x 20	0.10	0.060	0.12	979
RJH-50V331MJ4	330	16 x 15	0.10	0.065	0.13	982
RJH-50V471MI6	470	12.5 x 25	0.10	0.044	0.088	1180
RJH-50V471MK4	470	18 x 15	0.10	0.048	0.096	1180
RJH-50V561MI7	560	12.5 x 30	0.10	0.040	0.080	1310
RJH-50V681MI8	680	12.5 x 35	0.10	0.036	0.072	1470
RJH-50V681MJ5	680	16 x 20	0.10	0.045	0.090	1210
RJH-50V821MI9	820	12.5 x 40	0.10	0.034	0.068	1590
RJH-50V821MJ6	820	16 x 25	0.10	0.038	0.076	1490
RJH-50V821MK5	820	18 x 20	0.10	0.036	0.072	1450

ELNA PART NO. / WV (V)	CAP. (µF)	SIZE (ø x L) (mm)	tan δ	IMPEDANCE (Ω)		Rip Cur. (mAmps)
				20°C	-10°C	
RJH-50V102MJ7	1000	16 x 31.5	0.10	0.032	0.064	1890
RJH-50V102MK6	1000	18 x 25	0.10	0.032	0.064	1720
RJH-50V122MJ8	1200	16 x 35.5	0.10	0.028	0.056	2140
RJH-50V152MJ9	1500	16 x 40	0.10	0.026	0.052	2410
RJH-50V152MK7	1500	18 x 31.5	0.10	0.026	0.052	1970
RJH-50V182MK8	1800	18 x 35.5	0.10	0.025	0.050	2310
RJH-50V222MK9	2200	18 x 40	0.12	0.024	0.048	2530
63 V						
RJH-63V120ME3	12	5 x 11.5	0.08	1.2	3.6	120
RJH-63V180ME4	18	5 x 15	0.08	0.85	2.6	135
RJH-63V270MF3	27	6.3 x 11.5	0.08	0.55	1.7	148
RJH-63V390MF4	39	6.3 x 15	0.08	0.38	1.1	153
RJH-63V470MG3	47	8 x 12	0.08	0.32	0.96	360
RJH-63V560MH3	56	10 x 12.5	0.08	0.23	0.69	448
RJH-63V680MG4	68	8 x 15	0.08	0.24	0.72	469
RJH-63V680MH4	68	10 x 16	0.08	0.17	0.51	553
RJH-63V820MG5	82	8 x 20	0.08	0.17	0.51	682
RJH-63V121MH5	120	10 x 20	0.08	0.12	0.36	676
RJH-63V151MH6	150	10 x 25	0.08	0.10	0.30	876
RJH-63V151MI4	150	12.5 x 15	0.08	0.11	0.33	745
RJH-63V181MH7	180	10 x 30	0.08	0.085	0.26	1020
RJH-63V221MI5	220	12.5 x 20	0.08	0.075	0.23	979
RJH-63V221MJ4	220	16 x 15	0.08	0.080	0.24	982
RJH-63V271MI6	270	12.5 x 25	0.08	0.065	0.20	1180
RJH-63V331MK4	330	18 x 15	0.08	0.065	0.20	1200
RJH-63V391MI7	390	12.5 x 30	0.08	0.055	0.17	1310
RJH-63V391MJ5	390	16 x 20	0.08	0.057	0.17	1210
RJH-63V471MI8	470	12.5 x 35	0.08	0.048	0.14	1470
RJH-63V471MJ6	470	16 x 25	0.08	0.052	0.16	1490
RJH-63V471MK5	470	18 x 20	0.08	0.058	0.17	1460
RJH-63V561MI9	560	12.5 x 40	0.08	0.042	0.13	1590
RJH-63V681MJ7	680	16 x 31.5	0.08	0.042	0.13	1890
RJH-63V681MK6	680	18 x 25	0.08	0.050	0.15	1740
RJH-63V821MJ8	820	16 x 35.5	0.08	0.036	0.11	2140
RJH-63V821MK7	820	18 x 31.5	0.08	0.042	0.13	1990
RJH-63V102MJ9	1000	16 x 40	0.08	0.032	0.096	2410
RJH-63V102MK8	1000	18 x 35.5	0.08	0.035	0.11	2340

Radial Type

RJH

Note: Impedance 100 kHz
Allowable Ripple Current 100 kHz at 105°C



RJH Miniature Aluminum Electrolytic Capacitors

Standard Ratings

ELNA PART NO. / WV (V)	CAP. (μ F)	SIZE (ϕ x L) (mm)	tan δ	IMPEDANCE (Ω)		Rip Cur. (mA rms)
				20°C	-10°C	
RJH-63V122MK9	1200	18 x 40	0.08	0.032	0.096	2560
100 V						
RJH-100V5R6ME3	5.6	5 x 11.5	0.07	1.9	7.6	57
RJH-100V8R2ME4	8.2	5 x 15	0.07	1.3	5.2	74
RJH-100V120MF3	12	6.3 x 11.5	0.07	1.1	4.4	78
RJH-100V180MF4	18	6.3 x 15	0.07	0.62	2.5	85
RJH-100V220MG3	22	8 x 12	0.07	0.53	2.1	275
RJH-100V270MH3	27	10 x 12.5	0.07	0.47	1.9	319
RJH-100V330MG4	33	8 x 15	0.07	0.35	1.4	360
RJH-100V330MH4	33	10 x 16	0.07	0.32	1.3	424
RJH-100V390MG5	39	8 x 20	0.07	0.27	1.1	490
RJH-100V560MH5	56	10 x 20	0.07	0.25	1.0	499
RJH-100V680MH6	68	10 x 25	0.07	0.18	0.72	634
RJH-100V680MI4	68	12.5 x 15	0.07	0.20	0.80	613
RJH-100V101MH7	100	10 x 30	0.07	0.15	0.60	739
RJH-100V101MI5	100	12.5 x 20	0.07	0.13	0.52	805
RJH-100V121MI6	120	12.5 x 25	0.07	0.11	0.44	857
RJH-100V121MJ4	120	16 x 15	0.07	0.13	0.52	706
RJH-100V151MK4	150	18 x 15	0.07	0.12	0.48	871
RJH-100V181MI7	180	12.5 x 30	0.07	0.090	0.36	1120
RJH-100V181MJ5	180	16 x 20	0.07	0.11	0.44	916
RJH-100V221MI8	220	12.5 x 35	0.07	0.075	0.30	1240
RJH-100V221MJ6	220	16 x 25	0.07	0.081	0.32	1290
RJH-100V271MI9	270	12.5 x 40	0.07	0.060	0.24	1330
RJH-100V271MK5	270	18 x 20	0.07	0.085	0.34	1170
RJH-100V331MJ7	330	16 x 31.5	0.07	0.059	0.23	1630
RJH-100V331MK6	330	18 x 25	0.07	0.071	0.28	1500
RJH-100V391MJ8	390	16 x 35.5	0.07	0.052	0.21	1750
RJH-100V391MK7	390	18 x 31.5	0.07	0.058	0.23	1630
RJH-100V471MJ9	470	16 x 40	0.07	0.045	0.18	1920
RJH-100V561MK8	560	18 x 35.5	0.07	0.054	0.22	1920
RJH-100V681MK9	680	18 x 40	0.07	0.041	0.16	2100

Note: Impedance 100 kHz
Allowable Ripple Current 100 kHz at 105°C

Radial Type

RJH

X-ON Electronics

Largest Supplier of Electrical and Electronic Components

Click to view similar products for [Aluminum Electrolytic Capacitors - Leaded](#) category:

Click to view products by [Elna](#) manufacturer:

Other Similar products are found below :

[LXY50VB4.7M-5X11](#) [MAL203125221E3](#) [MAL204216159E3](#) [ESMG101ETD100MF11S](#) [RBC-25V-10UF-4X7](#) [RE3-35V222MJ6#](#) [RFO-100V471MJ7P#](#) [B41041A2687M8](#) [B41041A7226M8](#) [B41044A7157M6](#) [EKRG250ELL100MD07D](#) [EKXG201EC3101ML20S](#)
[EKXG351ETD6R8MJ16S](#) [EKZM160ETD471MHB5D](#) [EPA-201ELL151MM25S](#) [NCD681K10KVY5PF](#) [NRLF103M25V35X20F](#)
[KM4700/16](#) [KME50VB100M-8X11.5](#) [RXJ222M1EBK-1625](#) [SG220M1CSA-0407](#) [ES5107M016AE1DA](#) [ESX472M16B](#) [MAL211929479E3](#)
[40D506F050DF5A](#) [TE1202E](#) [36DA273F050BB2A](#) [KME25VB100M-6.3X11](#) [511D336M250EK5D](#) [511D337M035CG4D](#)
[515D477M035CG8PE3](#) [052687X](#) [EKMA500ELL4R7ME07D](#) [EKRG100ETC221MF09D](#) [NRE-S560M16V6.3X7TBSTF](#)
[ERZA630VHN182UP54N](#) [MAL214099813E3](#) [MAL211990518E3](#) [MAL204281229E3](#) [NEV680M35EF](#) [686KXM050M](#) [ERS1VM222L30OT](#)
[EGW2GM150W16OT](#) [EGS2GM6R8G12OC](#) [EHS2GM220W20OT](#) [ERF1VM222L30OT](#) [ERF1KM151G20OT](#) [EKZE500ELL101MHB5D](#)
[EKMM251VSN221MP25S](#) [RGA221M1HBK-1016G](#)