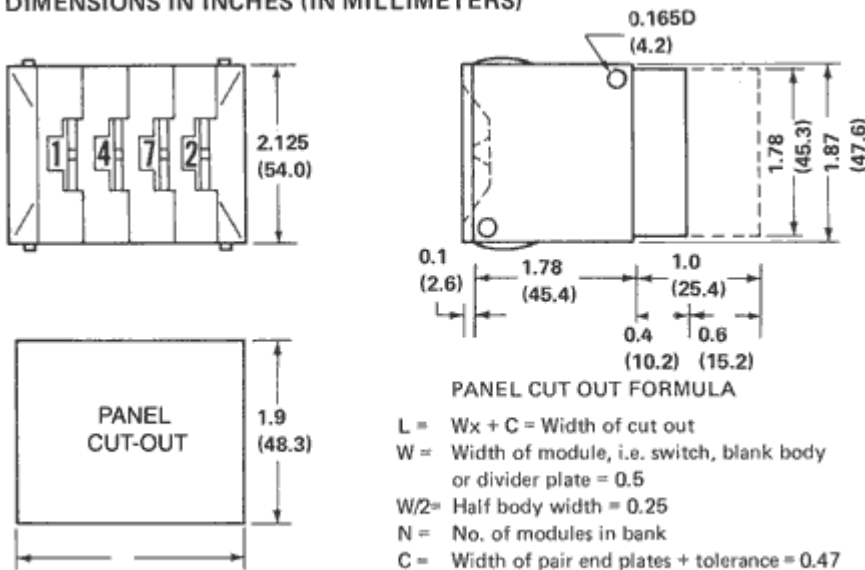




## Model IF Intermediate Front Mount

A rugged Front Mount Switch with large digits, 1/2" wide. Snap-in front mounting requires no panel mounting hardware. Available in most popular 10-position codes. Options and accessories include: Extended boards for diode suppression, Termination Pins, Half bodies, Endplates and [Connectors](#). Various wheel colors and legends are available.

### DIMENSIONS IN INCHES (IN MILLIMETERS)



## **X-ON Electronics**

Largest Supplier of Electrical and Electronic Components

*Click to view similar products for [imlec](#) manufacturer:*

Other Similar products are found below :

[F151-24G](#) [F151-12R](#) [LED-406R-5](#)