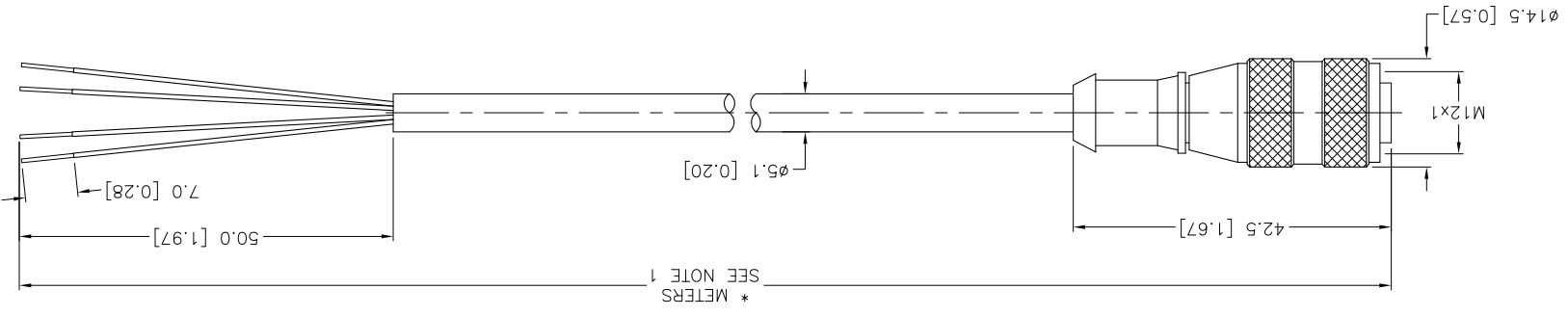


REV	DESCRIPTION	BY	DATE	ECO NO.
G	DRAWING PROCESSED AS PART OF ECO 33971	CBM	04/06/11	33971

NOTES:
 1. "*" INDICATES CABLE LENGTH IN METERS. CONTACT TURCK TO ORDER SPECIFIC LENGTHS.
 2. STRIP AND TIN LENGTHS ARE FOR REFERENCE ONLY; SOME LENGTHS MAY NOT BE STRIPPED OR TINNED.

CABLE LENGTH	TOLERANCE	STRIP LENGTH	TOLERANCE
+ 4% (OR 50mm) OF LENGTH - 0% (OR 0mm) OF LENGTH	WHICHEVER IS GREATER	0-7mm	±0.5mm
		8-29mm	±1.0mm
		30-49mm	±2.0mm
		50-69mm	±3.0mm
		70-100mm	±4.0mm
		OVER 100mm	±5.0mm



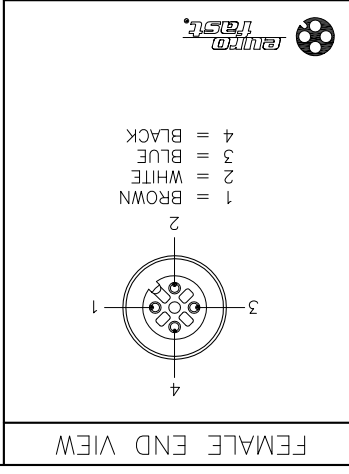
* METERS
 SEE NOTE 1

MATERIAL	SEE SPECIFICATIONS	3RD ANGLE PROJECTION	THIS DRAWING IS PROPERTY OF TURCK INC. USE OF THIS DOCUMENT WITHOUT WRITTEN PERMISSION IS PROHIBITED.	DRFT	JBU	DATE	07/20/00
	SEE SPECIFICATIONS			DSGN		SCALE	1=1.0
FINISH	SEE SPECIFICATIONS		ALL DIMENSIONS DISPLAYED ON THIS DRAWING ARE FOR REFERENCE ONLY			UNIT OF MEASUREMENT	MILLIMETER [INCH]
	SEE SPECIFICATIONS		CONTACT TURCK FOR MORE INFORMATION			IDENTIFICATION NO.	
RELATED DOCUMENTS			DO NOT SCALE THIS DRAWING			DESCRIPTION	RK 4.4T-*

SOURCE DRAWING - FOR REFERENCE ONLY

TURCK INC
 High Technology Sensors and Automation Controls
 3000 CAMPUS DRIVE
 MINNEAPOLIS, MN 55441
 1-800-544-7769
 (763) 553-7300
 (763) 553-0708 fax
 turck.com

SPECIFICATIONS	
CONTACT CARRIER MATERIAL	NYLON OR TPU
MOLDED HEAD MATERIAL/COLOR	TPU/YELLOW
CONTACT MATERIAL/PLATING	BRASS/GOLD
COUPLING NUT MATERIAL/PLATING	BRASS/NICKEL
RATED CURRENT [A]	4.0 A
RATED VOLTAGE [V]	250 V
OUTER CABLE JACKET MATERIAL/COLOR	PVC/GRAY
CONDUCTOR INSULATION MATERIAL	PVC
NUMBER OF CONDUCTORS [AWG]	4x22 AWG
TEMPERATURE RANGE	-40°C to +105°C (-40°F to +221°F)
PROTECTION CLASS	NEMA 1,3,4,6P AND IEC IP68, IP69K



X-ON Electronics

Largest Supplier of Electrical and Electronic Components

Click to view similar products for [turck](#) manufacturer:

Other Similar products are found below :

[NI12U-M18-AN4X](#) [B 5143-0](#) [BMWS 8151-0/9](#) [BI30U-CK40-AP6X2-H1141](#) [NI12U-M18-AP6X-H1141](#) [NI4U-EG08-AN6X-H1341](#) [BS 4151-0/9](#) [NI5-G12-AP6X-H1141](#) [NI14-G18-ADZ30X2](#) [FEN20-4DIP-4DXP-DIN](#) [BC10-QF5.5-RN6X2](#) [PKG 3M-4/S90](#) [FCS-N1/2A4P-AP8X-H1141](#) [FKFD 4.5](#) [NI3-EG08K-Y1-H1341](#) [RI360P0-QR24M0-INCRX2-H1181](#) [BCF5-S18-RP4X/S90](#) [BI5-M18-Y0X-H1141](#) [NI5-M12-Y1X-H1141](#) [NI35U-CK40-ADZ30X2-B3131 W/BS4](#) [WK 4T-2](#) [IM1-22EX-T](#) [RK 4T-10](#) [BI 2-EG08K-AP6X-V1131](#) [BI1.5-EG08-AP6X-H1341](#) [BC 5-Q08-AP6X2-V1131](#) [BC5-S18-Y1X](#) [CT 2-A30/M](#) [FDN20-4S-4XSG-E](#) [FKV-CC](#) [FSFD 8](#) [CMBS 8141-0](#) [BI10-M30-AN6X-H1141](#) [CMB 8151-0](#) [WK 4.5T-2/S618](#) [FKFD 8](#) [C10-T13X/024VDC](#) [NI4U-EG08-RP6X-V1131](#) [PKW 3M-6](#) [BI8U-M18-AP6X-H1141](#) [FS 4.5-0.5/14.5/NPT](#) [NI30U-M30-AP6X](#) [BS 5141-0](#) [BS 8141-0/LABEL*](#) [RS 4.5T-2](#) [RK 4T-6](#) [BI2-G12-AN6X-H1141](#) [RK 4.5T-6](#) [FSV 4.4-0.5](#) [PKG 3M-1-PSG 3](#)