

# PAULSTRADYN®

**New !**

Natural frequency :

- axial 7 Hz
- radial 3 to 5.5 Hz



## ADVANTAGES

- Better than 90% isolation at 1.500 rpm (25 Hz).
- Constant height over wide load range.
- Stabilised characteristics during Service Life.
- Simple to fit.
- 400 hours protection against salt spray\*.
- Design.

\* When mounted according to the recommendations given in the catalogue.



Finite element modeling

### New formula SILTECH

- Low increase of stiffness with frequency
- Low creep

# APPLICATIONS

Anti vibration isolation for static equipment :

- rotating machinery such as fans, air-conditioning, pumps, compressors, generator sets.
- pipework, ceilings, transformers, electrical enclosures.

# DIMENSIONS

Fig. 1

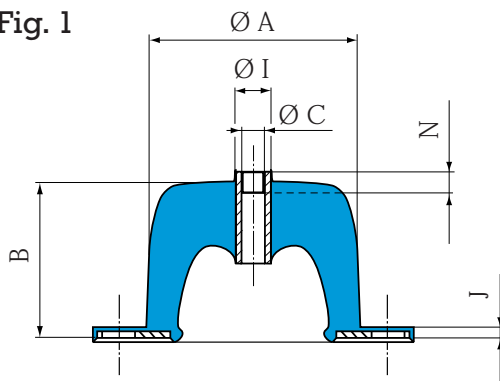
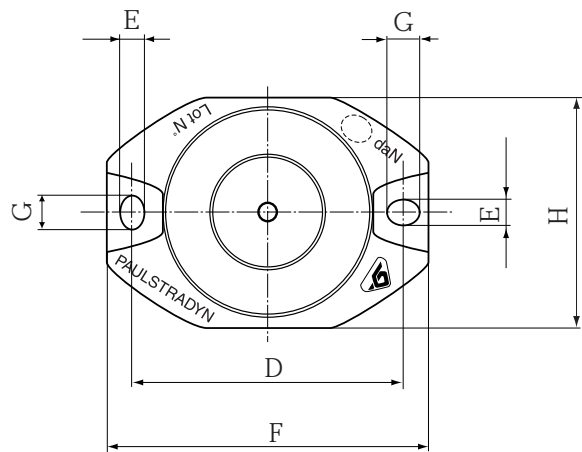
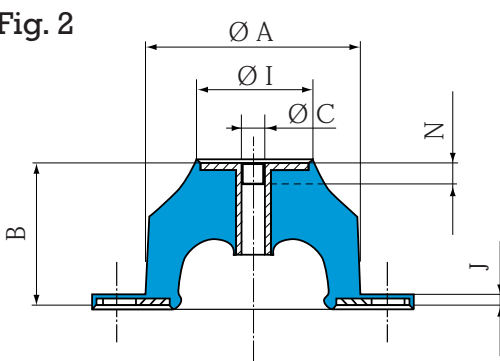


Fig. 2



Designation	Ref.	Nominal load NL (daN)	Fig.	Dimensions (mm)											
				Ø A	B*	Ø C	D	E	F	G	H	Ø I	J	N	
Paulstradyn	4 7 12	533701 533702 533703	4 7 12	1	40	40	M6	52	6.2	64	6.2	44	12	2.5	6
Paulstradyn	20 30 50	533704 533705 533706	20 30 50	2	60	40	M6	76	6.2	90	8.2	64	32	2.5	6
Paulstradyn	70 100 130	533707 533708 533709	70 100 130	2	80	40	M8	100	8.2	122	12.2	84	48	2.5	12
Paulstradyn	160 200 260	533710 533711 533712	160 200 260	2	100	40	M10	124	10.2	152	16.2	104	68	3	10
Paulstradyn	325 400 500	533713 533714 533715	325 400 500	2	150	40	M12	182	12.2	214	20.2	154	116	4.5	10
Paulstradyn	640 820 1050 1350	533716 533717 533718 533719	640 820 1050 1350	2	200	40	M16	240	14.2	280	24.2	204	159	5.5	20

\* : Height, unloaded 40 mm, under load 32 mm (see Technical Characteristics).

NL : Nominal static load with mounting under axial compression.

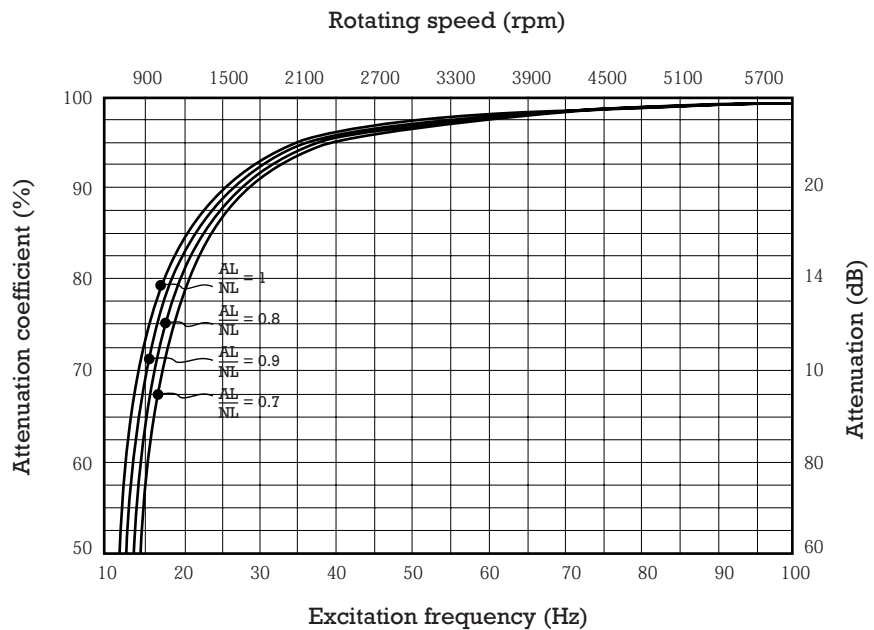
# TECHNICAL CHARACTERISTICS

The vibration attenuation and height characteristics under nominal load are **stabilised after one month under load at 20°C**.

## Common characteristics

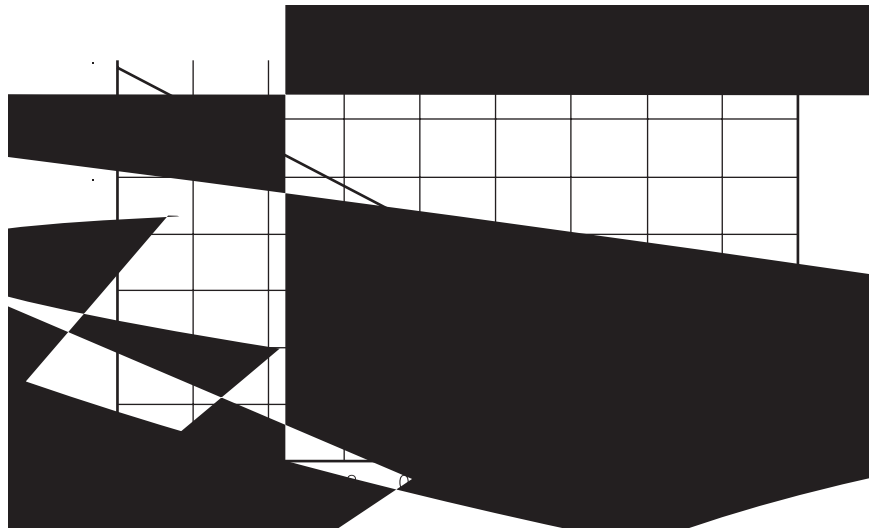
- Natural axial frequency 7 Hz, with nominal load.
- Natural radial frequency 3 to 5.5 Hz.
- Maximum displacement :
  - axial : 12 mm.
  - radial : ± 10 mm.

## Vibration attenuation



$$\frac{AL}{NL} = \text{Ratio} \frac{\text{Actual load}}{\text{Nominal load}}$$

## Height under load



## Temperature

Operating temperature : - 20°C to + 70°C.

## Other characteristics\*

- Good dynamic performance at high frequency.
- Withstands fatigue and shocks.
- Reduced creep.

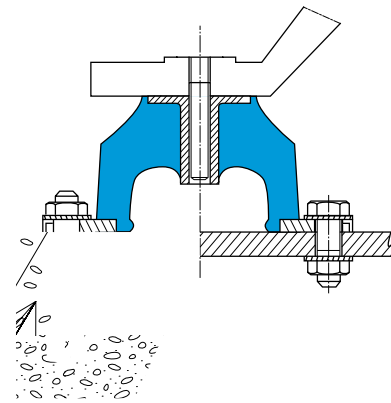
\* Detailed Technical Characteristics can be sent on request. Ask us for details.

# MOUNTING

## Standard mounting

- ① machine base or foot dimensions >  $\varnothing M^*$
- ② supporting structure (floor) dimensions > base of mounting F x H\* (refer page 39)
- ③ screw  $\varnothing C^{**}$
- ④ screw  $\varnothing K$ , a washer is required between the screw head and the PAULSTRADYN\*
- ⑤ screw  $\varnothing K$ , a washer is required between the screw head and the PAULSTRADYN\*

Note : \* to distribute the load and resist corrosion  
 \*\* nuts and screws grade 4.6 minimum.



ON CONCRETE

ON CHASSIS

Fig. 1①

## Recommended torque

Diameter K (mm)	M6	M8	M10	M12
torque N.m.	2	5	12	20

**Note :** Do not paint the mountings after fitting.

## Alternative mounting

# X-ON Electronics

Authorized Distributor

*Click to view similar products for [Paulstra](#) manufacturer.*

*Click to view products by [Paulstra](#) manufacturer.*

Other Similar products are found below :

[520028](#) [533706](#) [511735](#) [533703](#) [521128](#) [512301](#) [521297](#) [511220](#) [533701](#) [521201](#)

[520017](#) [521312](#) [521294](#) [512517](#) [53364145](#) [521251](#) [512251](#)