

Customer : ROXBURGH ELECTRONICS LIMITED

No. FX-97-2451

Date : Jul. 10. 1997

Attention: _____

Your ref. No: _____

Your Part. No: 29 0213

W/N+W

SPECIFICATIONS

ALPS :

MODEL **RK11K11410KA**

Spec. No. : _____

Sample No. : 428884

RECEIPT STATUS
RECEIVED
By. Date _____

Signature _____

Name _____

Title _____

ALPS ELECTRIC CO., LTD.

HEAD OFFICE
1-7, YUKIGAYA-OHTSUKA-CHO,
OHTA-KU, TOKYO 145 JAPAN

DSG'D *Y. Saitoh*

APP'D *Y. Ohya*

ENG. DEPT. DIVISION

Sales _____

SPECIFICATIONS

1. THIS SPECIFICATIONS APPLY TO RK11K1140AHHB POTENTIOMETERS.

2. CONTENTS OF THIS SPECIFICATIONS.

428884
K111H0222

3. MARKING

· MARKING ON ALL UNITS
DATE CODE, RESIST. VALUE, TAPER

4. REMARKS

· FURNISH PACKAGE
NUT: 1, WASHER: 1
· NOTES

· This unit uses polycarbonate. To be careful for using this unit in such violent gas atmospheric condition as ammonia, amine, alkaline aqueous solution, aromatic hydrocarbon, keton, ester, alkyl hydrocarbon, etc.

ITEM	FORMER SPECIFICATIONS	NEW SPECIFICATIONS	REASONS OF CHANGE
FURNISH PACKAGE	NUT:0 WASHER:0	NUT:1 WASHER:1	THIS CHANGE WAS DONE BY YOUR REQUEST.

SPECIFICATIONS

ELECTRICAL

1. Total resistance : 10 k Ω \pm 20%
2. Rated power : 0.05 W
3. Rated voltage :

The rated voltage shall be the voltage of D. C. or A. C. (commercial frequency, effective value) corresponding to the rated power (dissipation), and be obtained from the following formula. When the obtained rated voltage exceeds the maximum working voltage given in the following, however, the maximum working voltage of the following shall be the rated voltage.

$$E = \sqrt{P \cdot R} \text{ (V)}$$

Where E : Rated voltage (V)
 P : Rated power (dissipation) (W)
 R : Nominal total resistance (Ω)

Maximum working voltage : 50 V A. C. , 20 V D. C.

4. Resistance taper : A
5. Residual resistance between term. 1&2, 2&3 : 20 Ω max.

6. Sliding noise : Less than 100 mV. (Measured by JIS C 6443)

7. Insulation resistance : More than 100 M Ω at 500V D. C.
8. Withstand voltage: 500V A. C. for one minute.

MECHANICAL

1. Total rotational angle : 300 $^{\circ}$ \pm 5 $^{\circ}$
2. Rotational torque : 30~200 gf·cm (Rotational speed 60 $^{\circ}$ /sec.)
3. Resistance to soldering heat :
 After soldering (Less than 300 $^{\circ}$ C and within 3 seconds) there shall be no evidence of poor contact between resistance element and terminals, or any physical damages as a result of the test.
4. Stopper strength : 6 kgf·cm min. (figures at break)
5. Robustness after soldering resistor shaft against end thrust and pull force :
 After installing the potentiometer, the shaft shall withstand against end thrust and pull force of more than 8 kgf.
6. Robustness at shaft against side thrust :
 After installing the potentiometer, the shaft shall withstand against side thrust of more less than 3 kgf on the end of the shaft at right angles to the axis of the shaft.
7. Shaft play :
 After installing the potentiometer, the resistor shall be mounted by soldering the mounting legs on the panel. When a side thrust of 500 gf·cm shall be applied at the end of the shaft, the total shaft play shall not exceed 0.7XL/30 mm o-p. (L: Shaft length)
8. Bushing nut tightening strength : Tightening torque to be no greater than 10 Kgf·cm.
 Pay attention otherwise the strength may not be assured.



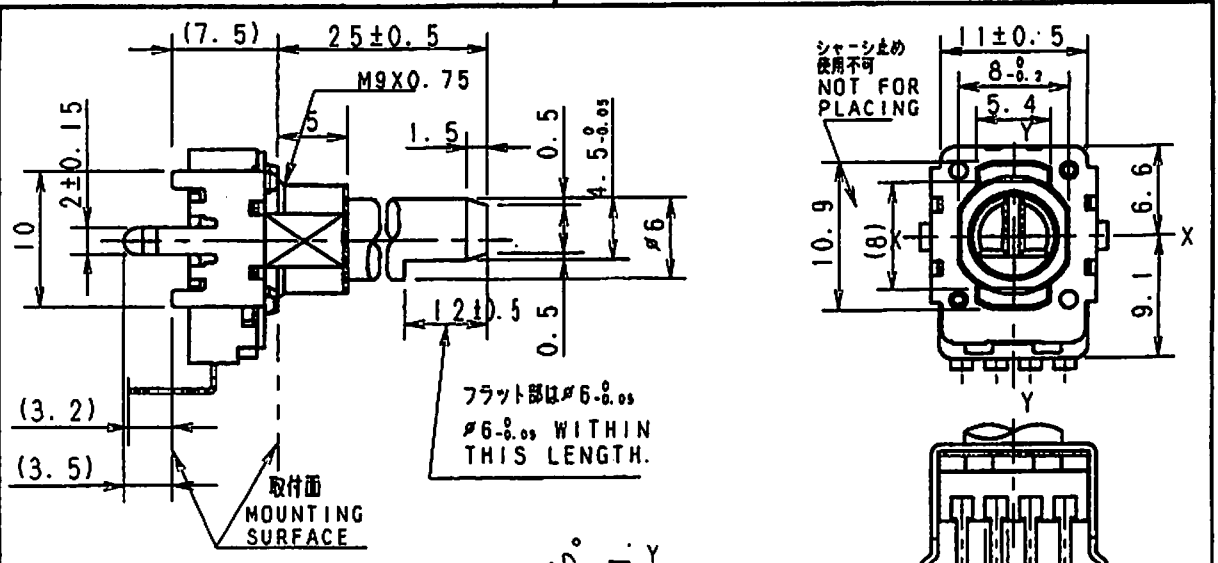
ENDURANCE

1. Rotational life : 15,000 cycles min.

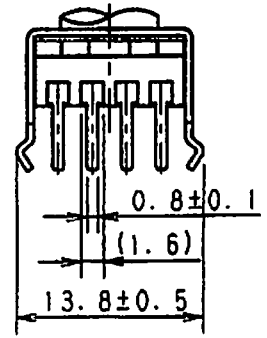
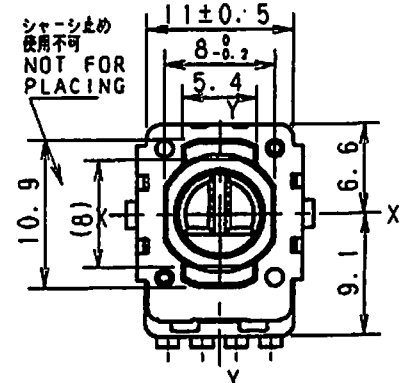
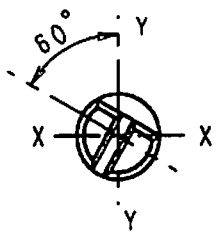
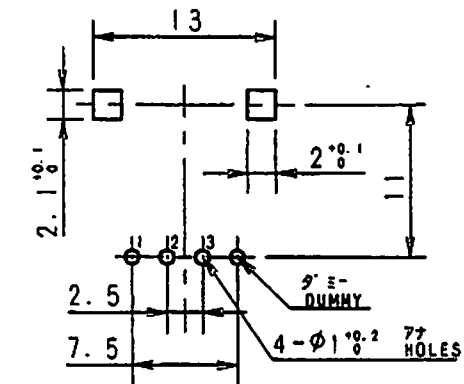
NOTE

1. The items except above mentioned items shall meet or exceed JIS C 6443.

ALPS ELECTRIC CO., LTD.					
					APPD. CHKD. DSGD. TITLE <i>oct. 01. '92</i> <i>oct. 01. '92</i> <i>oct. 01. '92</i> 4 2 8 8 8 4
					DOCUMENT NO. <i>S. Aizawa</i> <i>M. Satoh</i> <i>S. Sogawara</i>
SYMB	DATE	APPD	CHKD	OSGD	



取付穴寸法図 (公差±0.1)
 *挿入側からみた図
 P. W. B. MOUNTING DETAIL
 (TOLERANCE±0.1)
 VIEWED FROM MOUNTING SIDE



P. W. B. 板厚 T=1.6

指定なき部分の許容差 TOLERANCES UNLESS OTHERWISE SPEC	
$L \leq 10$	±0.3
$10 < L < 100$	±0.5
$100 \leq L$	±0.8
角度 ANGULAR DIMENSION	±5°

PART NO.	NAME	MATERIAL NAME / CODE	FINISH
ALPS ELECTRIC CO., LTD.			
		DSGD. 1-881R Y. SAITOH '94-07-20	SCALE 2 : 1 428884
		CHKD. M. SATOH '94-07-20	TITLE FIGURE 11形単速絶縁軸ポリウム組立図
		APPD. R. ARASAWA '94-07-20	UNIT DOCUMENT NO. F03 III III K111HOZ22
SYMB	DATE	APPO	CHKD DSGD

X-ON Electronics

Largest Supplier of Electrical and Electronic Components

Click to view similar products for [alps manufacturer](#):

Other Similar products are found below :

[EC11E1814404](#) [EC12E1220301](#) [SCZA2A0100](#) [SKQRACE010](#) [SLLB310300](#) [SLLQ110100](#) [SPEE120100](#) [HMSZS1001A](#) [SPVT130101](#)
[RK08H11100UD](#) [SSSU124900](#) [EC11J0924802](#) [SPVF110100](#) [SCZA1A0300](#) [SLLB310500](#) [SLLQ120100](#) [SDKZ1R0200](#) [SPVQ811006](#)
[PTMBL1912A](#) [RK09K111F15C0B104](#) [RK09K1130D62](#) [RK50114A0001](#) [SCDG2A0101](#) [SPEF120100](#) [SSSS928500](#) [SSGM680200](#)
[EC11E09244BS](#) [SKHLLAA010](#) [UE200013](#) [SCJB1B0301](#) [RD1010030A](#) [EC10E1260507](#) [RK27112A0-F20-C0-V503](#) [RK09L124000Z](#)
[RD7081015A](#) [RDCC010002](#) [RK09L1120A2S](#) [SRBM140700](#) [RS6011Y50K](#) [RK0972210-F30-31-B103](#) [RD1Y50010A](#) [RD1030211A](#)
[SSSS213800](#) [EC35A0930401](#) [RS30H11AA009](#) [SPVQ820502](#) [RK14K12C0A0T](#) [RS45112-0620-C0-P1-A203](#) [RK09K1110B1V](#)
[RK11K1140A3L](#)