

# Power Cord with Locking System for Inlet Filters IL 13, IL 13 P, IL 19



- Locking system for standardized IEC C14/C20 inlet filter
- No accidental disconnection
- Rated current up to 10 A (C13 plug), up to 15 A (C13P plug), and up to 16 A (C19 plug)
- Fits any Schaffner IEC C14/C20 inlet filter
- Retrofit for any IEC C14/C20 inlet
- Various power line plugs for international usage



## Approvals



The locking system has a tensile force of typical 200N. It is recommended to use it with flange mount filters. For details refer to our Application Note "Using IEC Lock Power Cords with IEC Inlets and Filters"

Schaffner power cords with IEC lock guard against accidental disconnection of all electrical appliances with an IEC inlet. No exchange or modification of the IEC inlet or IEC inlet filter system is needed. Easy retrofit for all electronic equipments and devices.

## Features and benefits

- Power cord with locking system for IEC inlets
- Protection class I (IL 13, IL 13 P)
- Suitable for use with any C14 IEC inlet (IL 13, IL 13 P) and C20 IEC inlet (IL 19)
- Fits the complete Schaffner IEC inlet filter program with C14 IEC inlet and C20 IEC inlet (IL 19)
- Max. pin temperature 70°C

## Typical applications

- Data centers
- Industrial equipment
- Medical devices
- In-vitro diagnostic devices
- Broadcasting stations
- Mobile applications

## Technical specifications IL 13/IL 13 P

<b>Maximum continuous operating voltage</b>	250 VAC, 50/60 Hz
<b>Rated currents</b>	10 A for C13 plug, 15 A for C13P plug
<b>High potential test voltage</b>	P-> PE 2000 VAC (1 min 50 Hz) P-> N 2000 VAC (1 min 50 Hz)
<b>Protection category</b>	IP 20 according IEC 60529
<b>Temperature range (operation and storage)</b>	-25°C to +70°C
<b>Connector (load side)</b>	IEC C13 according to IEC/EN 60320-2-2 with IEC Lock UL 498, CSA C22.2 no. 42 (for cold conditions) pin temperature 70°C, 10 A, Protection Class I
<b>Connector (line side)</b>	IEC C14 according to IEC/EN 60320-2-2; EU Schuko plug CEE7/VII; UK plug BS 1363; US NEMA 5-15 plug standard or hospital grade (UL 817); CH plug SEV 1011; JP plug JIS 8303 Other plugs on request Plugs: UL 94 V-2 or better; Cable: IEC 60332-1 Cat. F2
<b>Flammability corresponding to</b>	

## Technical specifications IL 19

<b>Maximum continuous operating voltage</b>	250 VAC, 50/60 Hz
<b>Rated currents</b>	16 A (IEC)
<b>Operating frequency</b>	50 to 400 Hz
<b>High potential test voltage</b>	P-> PE 2000 VAC (1 min 50 Hz) P-> N 2000 VAC (1 min 50 Hz)
<b>Protection category</b>	IP 20 according IEC 60529
<b>Temperature range (operation and storage)</b>	-25°C to +70°C
<b>Cable</b>	2 m; 3 x 1.50 mm <sup>2</sup> ; H05 VV-5; 6 ft; 3 x AWG14 SJT; black; other lengths or colors on request
<b>Connector (load side)</b>	IEC C19 according to IEC/EN 60320-2-2 with IEC lock, UL 498, CSA C22.2 no. 42 (for cold conditions) pin temperature 70°C, 16 A, Protection Class I
<b>Connector (line side)</b>	C20 according to IEC/EN 60320-2-2; EU Schuko plug CEE7/VII angled; UK plug BS 1363 angled; US plug NEMA 5-15 straight; other plugs on request Plugs: UL 94 V-2 or better; Cable: IEC 60332-1 Cat. F2
<b>Flammability corresponding to</b>	



## Cable selection table IL 13 P

<b>IL 13 P-C14-H05-3100-200</b>	IEC cable assembly with locking system + for IEC C14 inlet, EU version
<b>IL 13 P-CH1-H05-3100-200</b>	IEC cable assembly with locking system + for IEC C14 inlet, CH version
<b>IL 13 P-EU1-H05-3100-200</b>	IEC cable assembly with locking system + for IEC C14 inlet, EU version
<b>IL 13 P-JP1-HVCTF-3125-200</b>	IEC cable assembly with locking system + for IEC C14 inlet, JP version
<b>IL 13 P-SE-H05-3100-200</b>	IEC cable assembly with locking system + for IEC C14 inlet, stripped ends
<b>IL 13 P-UK1-H05-3100-200</b>	IEC cable assembly with locking system + for IEC C14 inlet, UK version
<b>IL 13 P-US1-SJT-3160-Y*</b>	IEC cable assembly with locking system + for IEC C14 inlet, US version

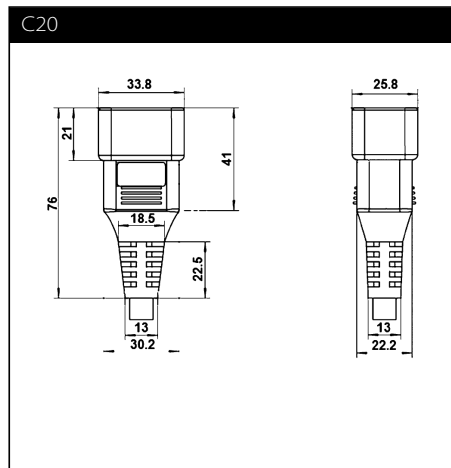
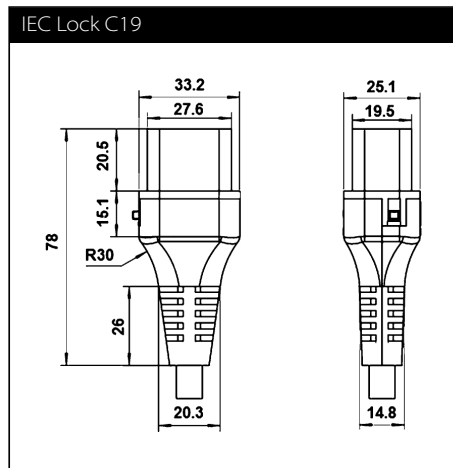
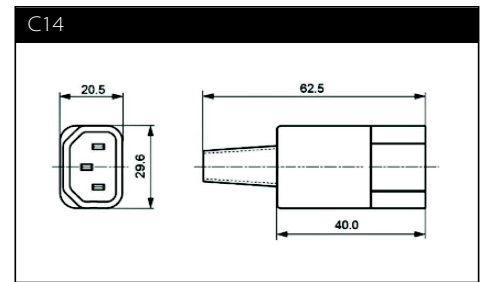
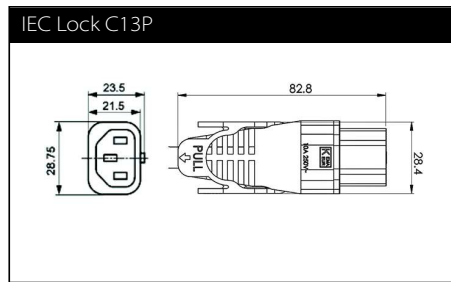
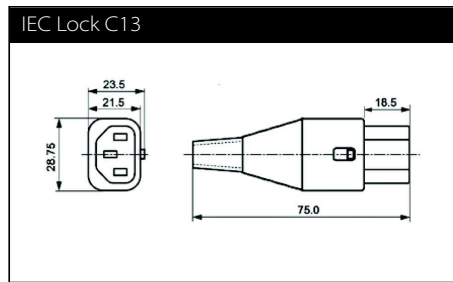
To compile a complete part number, please replace the x\* or y\* with the required length:

- X\* options = 200, 300, 400
- Y\* options = 6, 9 and 12 feet

Product selector IL 13 P	
IL13P-yyy-zzz-aaaa-bbb:	
<b>Cable length:</b>	183–6 feet (183 cm) (only for US versions) 200–200 cm 275–9 feet (275 cm) (only for US versions) 300–300 cm 366–12 feet (366 cm) (only for US versions) 400–400 cm 500–500 cm 10000–1000 cm Others: on request
<b>Cable core:</b>	3100 – 3 × 1.00 mm <sup>2</sup> (US: AWG 18) 3125 – 3 × 1.25 mm <sup>2</sup> (only for Japanese version) 3130 – 3 × 16 awg (for US version) 3150 – 3 × 1.5 mm <sup>2</sup> 3160 – 3 × 14 awg (for US version) Others: on request
<b>Cable type:</b>	H05–H05VV-F HVCTF SJT SVT Others: on request
<b>Line side plug:</b>	C14 – IEC C14, male, straight CH1 – SEV1011, straight EU1 – CEE 7/VII, right angled JP1 – JIS8303, straight SE – with stripped ends UK1 – BS1363, right angled fused 5A for IL13 US1 – NEMA5-15, straight US2 – NEMA5-15, straight, hospital grade according to UL817 Others: on request
<b>Load side IL13P:</b>	IEC C13 Plus female plug, straight, lock



## Mechanical data



Please visit [www.schaffner.com](http://www.schaffner.com) to find more details on filter connectors.



## Headquarters, global innovation and development

### Switzerland

#### Schaffner Group

Nordstrasse 11  
4542 Luterbach  
T +41 32 681 66 26  
F +41 32 681 66 30  
[info@schaffner.com](mailto:info@schaffner.com)  
[www.schaffner.com](http://www.schaffner.com)



## Sales and application centers

### China

#### Schaffner EMC Ltd. Shanghai

T20-3, No 565 Chuangye Road  
Pudong New Area  
201201 Shanghai  
T +86 21 3813 9500  
F +86 21 3813 9501 / 02  
[cschina@schaffner.com](mailto:cschina@schaffner.com)  
[www.schaffner.com.cn](http://www.schaffner.com.cn)

### Finland

#### Schaffner Oy

Sauvonrinne 19 H  
08500 Lohja  
T +358 19 35 72 71  
[finlandsales@schaffner.com](mailto:finlandsales@schaffner.com)

### France

#### Schaffner EMC S.A.S.

112 Quai de Bezons  
Boîte postale 133  
95100 Argenteuil  
T +33 1 34 34 30 60  
F +33 1 39 47 02 28  
[francesales@schaffner.com](mailto:francesales@schaffner.com)

### Germany

#### Schaffner Deutschland GmbH

Schoemperlenstrasse 12B  
76185 Karlsruhe  
T +49 721 56910  
F +49 721 569110  
[germanysales@schaffner.com](mailto:germanysales@schaffner.com)

### India

#### Schaffner India Pvt. Ltd

Unit 59, Level, Mfar Greenheart 7  
Manyata Tech Park, Hebbal Outer Ring Road  
560045 Bangalore  
T +91 80 6781 9805  
F +91 80 6781 9998  
[indiasales@schaffner.com](mailto:indiasales@schaffner.com)

### Italy

#### Schaffner EMC S.r.l.

Via Galileo Galilei 47  
20092 Cinisello Balsamo (MI)  
T +39 02 66 04 30 45 /47  
F +39 02 61 23 943  
[italysales@schaffner.com](mailto:italysales@schaffner.com)

### Japan

#### Schaffner EMC K.K.

1-32-12, Kamiuma, Setagaya-ku  
7F Mitsui-seimei Sanganjaya Bldg.  
154-0011 Tokyo  
T +81 3 5712 3650  
F +81 3 5712 3651  
[japansales@schaffner.com](mailto:japansales@schaffner.com)  
[www.schaffner.jp](http://www.schaffner.jp)

### Singapore

#### Schaffner EMC Pte Ltd.

Blk 3015A Ubi Road 1  
408705 Singapore  
T +65 6377 3283  
F +65 6377 3281  
[singaporesales@schaffner.com](mailto:singaporesales@schaffner.com)

### Spain

#### Schaffner EMC España

Calle Caléndula 93, Miniparc III, Edificio E  
El Soto de Moraleja, Alcobendas  
28109 Madrid  
T +34 917 912 900  
F +34 917 912 901  
[spainsales@schaffner.com](mailto:spainsales@schaffner.com)

### Sweden

#### Schaffner EMC AB

Turebergstorg 1, 6  
19147 Sollentuna  
T +46 8 5792 1121 / 22  
F +46 8 92 96 90  
[swedensales@schaffner.com](mailto:swedensales@schaffner.com)

### Switzerland

#### Schaffner EMV AG

Nordstrasse 11  
4542 Luterbach  
T +41 32 681 66 26  
[switzerlandsales@schaffner.com](mailto:switzerlandsales@schaffner.com)

### Taiwan R.O.C.

#### Schaffner EMV Ltd.

6 Floor, No. 413, Rui Guang Road  
114 Neihu District Taipei City  
T +886 2 87525050  
F +886 2 87518086  
[taiwansales@schaffner.com](mailto:taiwansales@schaffner.com)  
[www.schaffner.tw](http://www.schaffner.tw)

### Thailand

#### Schaffner EMC Co. Ltd.

Northern Region Industrial Estate  
67 Moo 4 Tambon Ban Klang  
Amphur Muangng P.O. Box 14  
51000 Lamphun  
T +66 53 58 11 04  
F +66 53 58 10 19  
[thailandsales@schaffner.com](mailto:thailandsales@schaffner.com)

### UK

#### Schaffner Ltd.

5 Ashville Way, Molly Millars Lane  
Wokingham  
RG41 2PL Berkshire  
T +44 118 9770070  
F +44 118 9792969  
[uksales@schaffner.com](mailto:uksales@schaffner.com)

### USA

#### Schaffner EMC Inc.

52 Mayfield Avenue  
08837 Edison, New Jersey  
T +1 800 367 5566  
T +1 732 225 9533  
F +1 732 225 4789  
[usasales@schaffner.com](mailto:usasales@schaffner.com)  
[www.schaffnerusa.com](http://www.schaffnerusa.com)

#### Schaffner North America

6722 Thirlane Road  
24019 Roanoke, Virginia  
T +1 276 228 7943  
F +1 276 228 7953

#### Schaffner North America

823 Fairview Road  
24382 Wytheville, Virginia  
T +1 276 228 7943  
F +1 276 228 7258

To find your local partner within Schaffner's global network: [www.schaffner.com](http://www.schaffner.com)

© 2016 Schaffner Group

The content of this document has been carefully checked and understood. However, neither Schaffner nor its subsidiaries assume any liability whatsoever for any errors or inaccuracies of this document and the consequences thereof. Published specifications are subject to change without notice. Product suitability for any area of application must ultimately be determined by the customer. In all cases, products must never be operated outside their published specifications. Schaffner does not guarantee the availability of all published products. This disclaimer shall be governed by substantive Swiss law and resulting disputes shall be settled by the courts at the place of business of Schaffner Holding AG. Latest publications and a complete disclaimer can be downloaded from the Schaffner website. All trademarks recognized.

## X-ON Electronics

Largest Supplier of Electrical and Electronic Components

*Click to view similar products for [AC Power Cords](#) category:*

*Click to view products by [Schaffner](#) manufacturer:*

Other Similar products are found below :

[62500-1774](#) [JP2P3-C2C-4I](#) [HFEC15U](#) [312033-01](#) [R7A-CAB005SR](#) [523 BK078](#) [374003-A01-L1](#) [YP-61+YC12](#) [YP21A+YC13](#) [1689848-1](#)  
[6601](#) [1702002600](#) [1700001947](#) [1700018553](#) [J2014003L001-CC SHELF](#) [IL13-EU1-H05-3100-300-S](#) [366044-D01](#) [PC20C19GY8](#) [P28976-](#)  
[M45](#) [ACC-500-215-R](#) [BB-3271V86](#) [HFE/C19UO](#) [390002-01](#) [393001-01](#) [318004-01](#) [350050-LD01](#) [369004-E01](#) [370001-E01](#) [VL-](#)  
[1024-23-300](#) [6007.0214](#) [1700001524](#) [IL13-US1-SVT-3100-366](#) [IL13-EU1-H05-3100-400](#) [IL13-C14-H05-3100-200](#) [IL13-US1-SVT-3100-](#)  
[275](#) [IL13-SE-H05-3100-500](#) [IL13-EU1-H05-3100-300](#) [166S72](#) [221001-03](#) [223082-01](#) [223083-01](#) [232011-06](#) [732-00/00](#) [6000.0224](#) [374003-](#)  
[A01](#) [AC30UUK](#) [373003-A01](#) [AC30UEU](#) [513 BK078](#) [920 BK078](#)