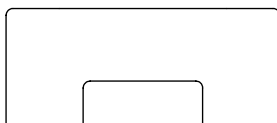
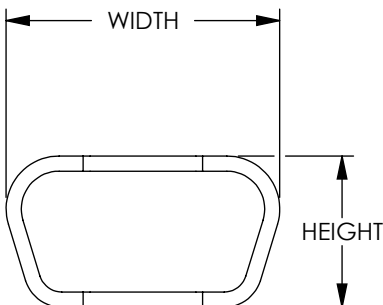
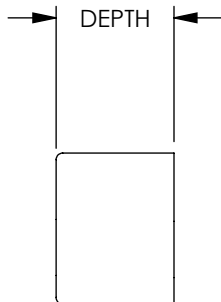


THE INFORMATION CONTAINED IN THIS DRAWING IS THE SOLE PROPERTY OF L-COM, INC. ANY REPRODUCTION IN PART OR WHOLE WITHOUT THE WRITTEN PERMISSION OF L-COM, INC. IS PROHIBITED.

| REVISIONS |   |        |             |
|-----------|---|--------|-------------|
| REV       | DESCRIPTION                                   | DATE   | APPROVED    |
| E         | ECN 4234: REVISED HEIGHT AND WIDTH DIMENSIONS | 9/2/09 | D.FRISIELLO |
|           |   |        |             |
|           |   |        |             |



| P/N    | HEIGHT |      | WIDTH |      | DEPTH |     |
|--------|--------|------|-------|------|-------|-----|
|        | INCH   | MM   | INCH  | MM   | INCH  | MM  |
| CVR9F  | .41    | 10.4 | .73   | 18.6 | .30   | 7.6 |
| CVR9M  | .45    | 11.5 | .80   | 20.3 | .30   | 7.6 |
| CVR15F | .41    | 10.4 | 1.05  | 26.7 | .30   | 7.6 |
| CVR15M | .46    | 11.7 | 1.11  | 28.1 | .30   | 7.6 |
| CVR25F | .39    | 10.0 | 1.58  | 40.2 | .30   | 7.6 |
| CVR25M | .44    | 11.2 | 1.65  | 42.0 | .30   | 7.6 |
| CVR37F | .38    | 9.7  | 2.24  | 56.9 | .30   | 7.6 |
| CVR37M | .44    | 11.2 | 2.30  | 58.4 | .30   | 7.6 |
| CVR50F | .50    | 12.7 | 2.13  | 54.1 | .30   | 7.6 |
| CVR50M | .55    | 14.0 | 2.21  | 56.1 | .30   | 7.6 |



NOTE

1. MATERIAL: PVC, BLACK
2. PACKAGE TEN (10) PIECES PER BAG

**RoHS Compliant** ✓

|   |   |  |   |  |                  |
|---|---|--|---|--|------------------|
| UNLESS OTHERWISE SPECIFIED,<br>DIMENSIONS ARE IN INCHES [mm]<br>OVERALL CABLE LENGTH TOLERANCE:<br>≤12 [305] = +1 [25] / -0<br>>12 [305] ≤60 [1524] = +2 [51] / -0<br>>60 [1524] ≤120 [3048] = +4 [102] / -0<br>>120 [3048] ≤300 [7620] = +6 [152] / -0<br>>300 [7620] = +3% / -0%<br>ALL OTHER DIMENSIONAL TOLERANCES:<br>.X = ± .2<br>.XX = ± .02<br>.XXX = ±.005 | APPROVALS<br>DRAWN BY<br>J. KIEZULAS<br>CHECKED BY<br>C. McCORMICK<br>APPROVED BY<br>R. CARRICK | DATE<br>7/1/2005<br>7/1/2005<br>7/1/2005 |   | 45 BEECHWOOD DRIVE<br>NORTH ANDOVER, MA<br>01845 |                  |
|   | CONFIGURATION DETAILS OF<br>UNDIMENSIONED FEATURES<br>MAY VARY                                  | CATEGORY<br><b>DATA CABLING</b>          | PRODUCT DESCRIPTION<br><b>D SUBMINIATURE DUST COVER</b> | SCALE: NONE<br>CAD FILE: CVR9F.SLDDRW            | SHEET 1 OF 1     |
| PROJECTION<br>  | COLOR VARIATIONS<br>MAY OCCUR   | SIZE<br><b>A</b>                         | FSCM NO.<br><b>43321</b>                                | DWG. NO.<br><b>CVR9F</b>                         | REV.<br><b>E</b> |

## X-ON Electronics

Largest Supplier of Electrical and Electronic Components

*Click to view similar products for [l-com](#) manufacturer:*

Other Similar products are found below :

[FOA-550A](#) [SDRA15AG](#) [UMC-201](#) [CSMN50MF-5](#) [CSMNB15MF-15](#) [TRD815RA2BL-5](#) [CA3N050](#) [CA3A-90DA-1M](#) [U3A00003-03M](#)  
[CTLF3VGAMM-20](#) [HDCAMM-3](#) [U3A00014-03M](#) [ECF-SK-25](#) [CSMT15MF-10](#) [CSMT15MM-15](#) [CSMT15MM-25](#) [CSPL15MF-50](#)  
[CSPL25MF-25](#) [CSPL9MF-10](#) [CSPL9MF-5](#) [CSPL25MF-5](#) [CSPL25MF-2.5](#) [AL-IPEPS](#) [NB201611-10F-1](#) [TDG1026KC5-MNL](#) [NB121005-](#)  
[10F](#) [TRD855SRA6DBL-05M](#) [TRD855SRA6DBL-10M](#) [TRD855SRA7DBL-1M](#) [TRD855SRA7DBL-10M](#) [PR175SCDLCQ24](#) [TRG508-T4T-](#)  
[3M](#) [TRA5261-15F](#) [TRA5261S-1F](#) [TRA6261-1F](#) [TRA6261-10F](#) [USBBFT](#) [DGB25M](#) [UJ5T568S](#) [CASATAL-18](#) [CSM25MM-10](#) [CSM37MF-](#)  
[10](#) [CSUSB-100](#) [CA3A-90RA-1M](#) [CA3A-90RMICB-1M](#) [U2A00003-3M](#) [U3A00003-05M](#) [U2A00008-12I](#) [U3A00056-03M](#) [U3A00007-075M](#)