

# FLASH LAB

FlashLab is a PC104 style Pic micro controller development system consisting of a main micro controller board with RS232 connectivity and stackable prototyping boards. Included is the Mecanique Microcode Loaders software and bootloader firmware in the onboard Pic. This means that no hardware programmer is needed to programme the Pic, only a serial connection to a PC and a standard \*.hex file produced by virtually any compiler or assembler.

Features include:

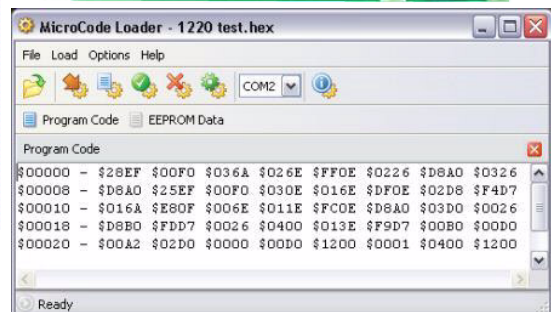
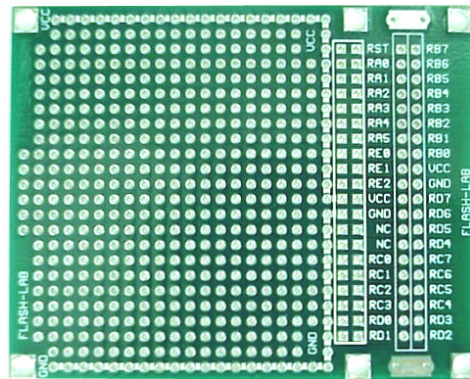
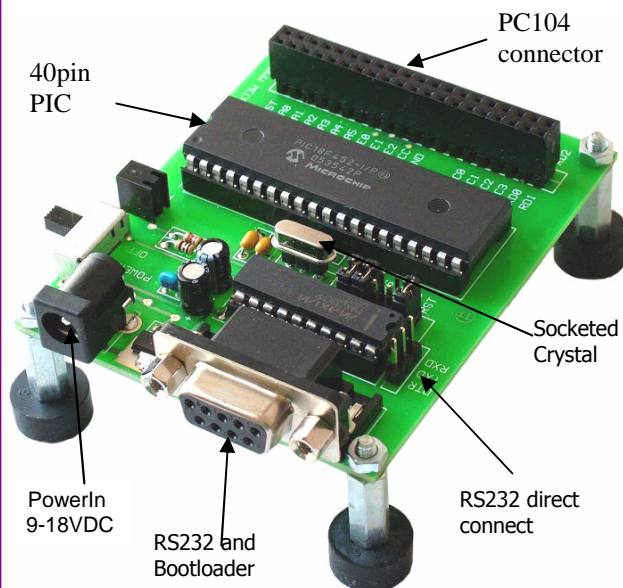
- ◆ Bootloader programming (no hardware programmer required)
- ◆ 16F877A, 18F452 or 18F4455 pic (\*\*other pics available on request)
- ◆ RS232 connector for boot -loading and serial comms
- ◆ DTR, RX and TX separately available
- ◆ Onboard 5V regulator
- ◆ Socketed 20MHz crystal
- ◆ 40 pin PC104 stack through gold plated connections
- ◆ Microcode Loaders software/firmware and all documentation on CD

All I/O lines, PIC functions, 5V supply and reset line connect to the PC104 connector and thus are passed through to stacked prototype boards. Prototyping boards connect by stacking and picking up the PC104 connections. Spacers, nuts and screws are included to enable a compact and solid assembly to be constructed which can be used as a finished project if so required. Prototype circuits can be saved intact to be used again, thus saving repetitive wiring work for future projects, the same main board being used to develop many projects.

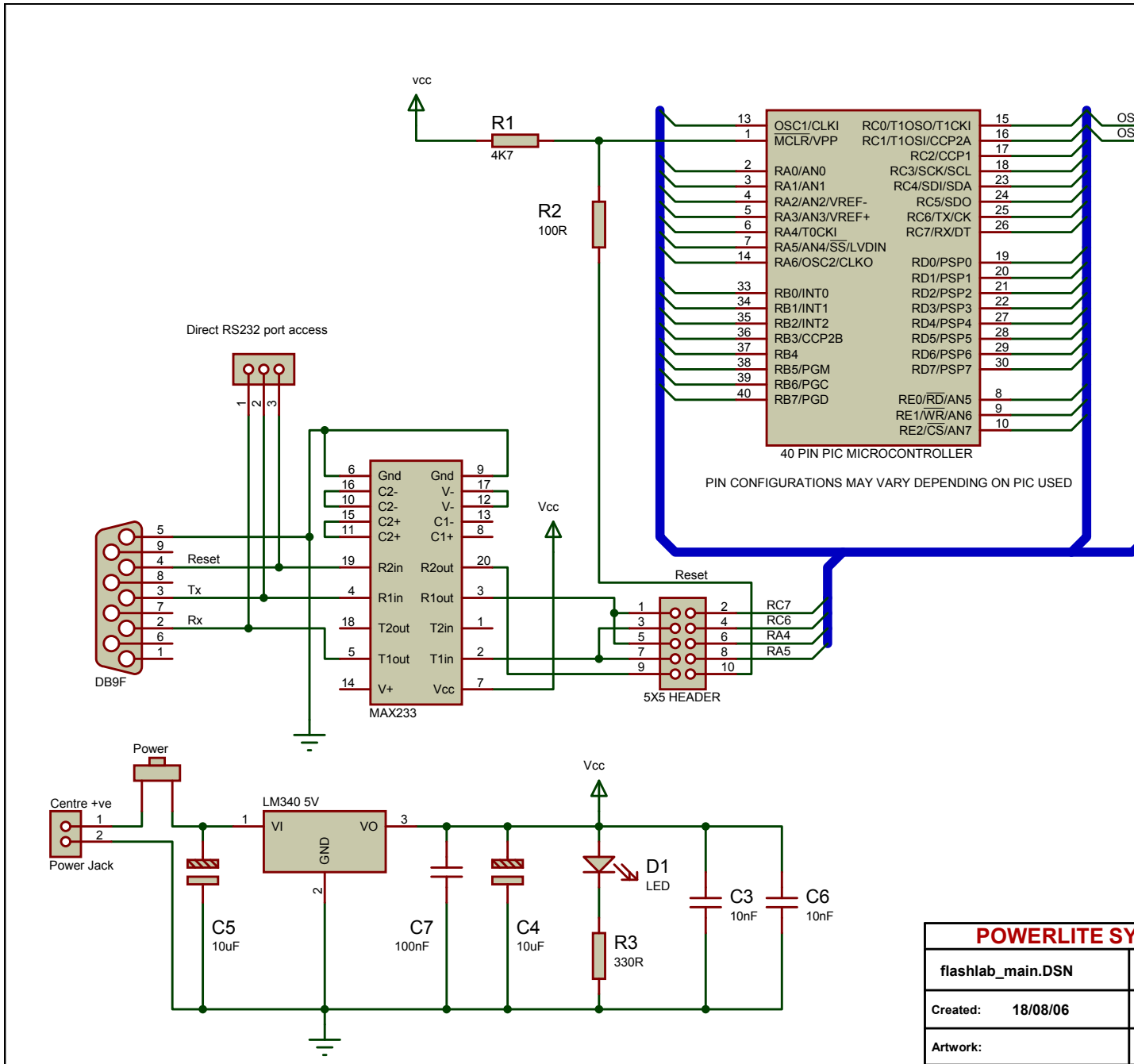
The RS232 connection not only allows bootloading but also integration with a PC based system further enhancing design possibilities.

The FlashLab main board is assembled utilising quality components including an optional 40 pin pic chip with bootloader, requiring only the end user's programme and custom circuitry constructed on a stackable protoboard. Ideal for development, it can also be utilised as part of a finished system and is also an ideal low cost replacement for PLC modules.

All software and documentation is provided on CD.



DC supply voltage range	9-18VDC (2.1mm*5.5mm centre+ve)
PIC	16F877A, 18F452, 18F4455**
Socketed crystal	20MHz supplied
Dimensions	65x80mms (stacked board height 16mms)
<b>RoHS</b>	Yes



POWERLITE SY	
flashlab_main.DSN	
Created: 18/08/06	
Artwork:	

## **X-ON Electronics**

Largest Supplier of Electrical and Electronic Components

*Click to view similar products for [Powerlite](#) manufacturer:*

Other Similar products are found below :

[Powerlite](#)