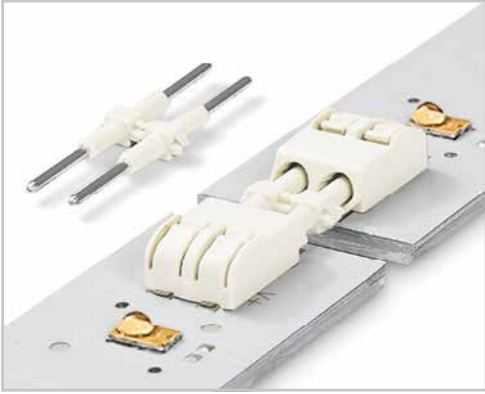


Board-to-Board Links for SMD PCB Terminal Blocks with Push-Buttons, 0.75 mm², Pin Spacing: 4 mm, 8 mm 2060 Series



- Board-to-board link simplifies in-line assembly of LED modules
- Easy push-in termination and disconnection without push-button actuation

Technical data:

Pin Spacing	4 mm 0.157 in.			8 mm 0.314 in.			
	IEC/EN 60664-1			IEC/EN 60664-1			
Ratings per	III	III	II	III	III	II	
Overvoltage category	3	2	2	3	2	2	
Pollution degree	63 V	160 V	320 V	400 V	630 V	1000 V	
Rated voltage	2.5 kV	2.5 kV	2.5 kV	6 kV	6 kV	6 kV	
Rated surge voltage	9 A	9 A	9 A	9 A	9 A	9 A	
Nominal current	UL/CSA			UL/CSA			
Approvals per	250 V			600 V			
Rated voltage	9 A			9 A			
Nominal current UL							

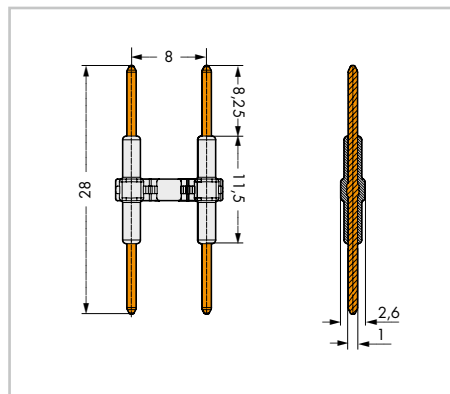
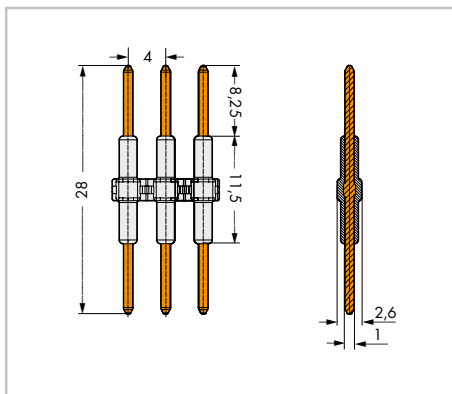
Material data:

Material group	I
Insulating material	Polyamide 6.6 (PA 6.6)
Flammability class per UL 94	V0
Lower/Upper limit temperature	-60 °C / +105 °C
Contact material	Copper alloy
Contact plating	Silver-plated

Board-to-Board Links for SMD PCB Terminal Blocks with Push-Buttons, 0.75 mm²

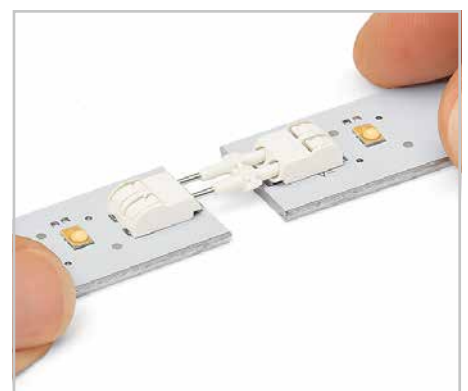
PUSH-IN CAGE CLAMP®

Pin spacing: 4 mm / 0.157 in.		Pin spacing: 8 mm / 0.314 in.	
160 V/2.5 kV/2 9 A	250 V/9 A	630 V/6 kV/2 9 A	600 V/9 A

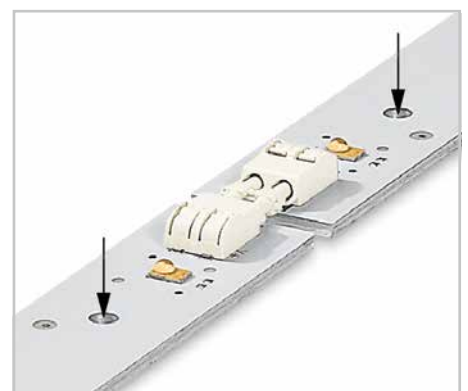
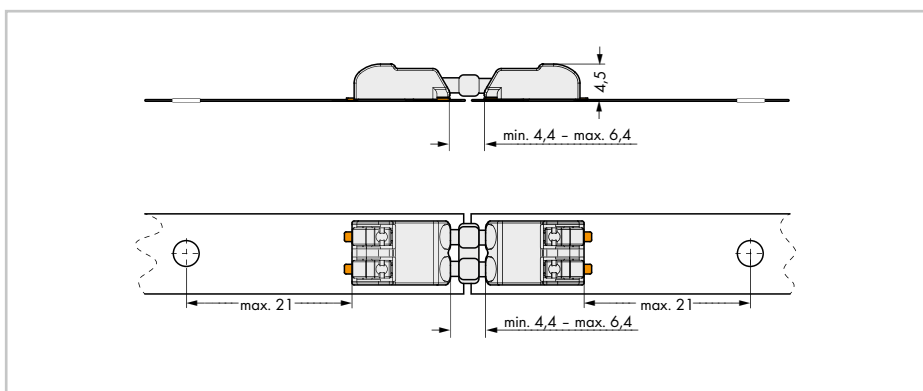


Inserting board-to-board link into PCB terminal block.

Pole No.	Item No.	Pack. Unit	Pole No.	Item No.	Pack. Unit
Board-to-board link for SMD PCB terminal blocks with push-buttons, white			Board-to-board link for SMD PCB terminal blocks with push-buttons, white		
1	2060-951/028-000	1500			
2	2060-952/028-000	500	2	2060-962/028-000	375
3	2060-953/028-000	375			
4	2060-954/028-000	250			



Assembly: Place PCBs on a flat surface and insert links into PCB terminal blocks on adjoining PCBs. Disassembly: Pull PCBs apart. (max. 10 connections/disconnections)



The PCBs must be secured (see figure left).

X-ON Electronics

Largest Supplier of Electrical and Electronic Components

Click to view similar products for [Modular Connectors](#) / [Ethernet Connectors](#) category:

Click to view products by [Wago](#) manufacturer:

Other Similar products are found below :

[RJE231881317T](#) [MP1010RX-1000](#) [MP44RX-1000](#) [GAX-3-66](#) [GAX-8-62](#) [93606-0253](#) [GD-A-44](#) [GDCX-PA-66-50](#) [GDCX-PN-64](#) [GDCX-PN-66](#) [GDCX-PN-66-50](#) [GDLX-A-66](#) [GDLX-A-88](#) [GDLX-N-66](#) [GDLX-S-88K](#) [GDTX-S-88-50](#) [GDX-PA-1010](#) [GLX-N-1010M-BLK](#) [GLX-N-44M](#) [GLX-S-88M-BLK](#) [GMX-N-1010](#) [GMX-S-1010](#) [GMX-S-66](#) [GMX-SMT2-N-1010](#) [GMX-SMT2-N-64-50](#) [GMX-SMT2-S6-88](#) [GMX-SMT4-N-88](#) [GPX-2-64](#) [GRT1-BT1-5](#) [GSGX-N-2-88](#) [GSX-NS2-88-3.05](#) [GSX-NS2-88-3.05-50](#) [GSX-NS-88-3.05-30](#) [GSX-NS-88-3.05-50](#) [GSX-NS-88-3.68](#) [1-1775629-2](#) [GWLX-S-88-GR](#) [GWLX-S9-88-YG](#) [1300500326](#) [1300500227](#) [1300530003](#) [1300570002](#) [1324640-4](#) [RJ11FTVC2G](#) [RJ11FTVC2N](#) [RJFTVX2SA1G](#) [132764-001](#) [1400000](#) [1413176](#) [1413235](#)