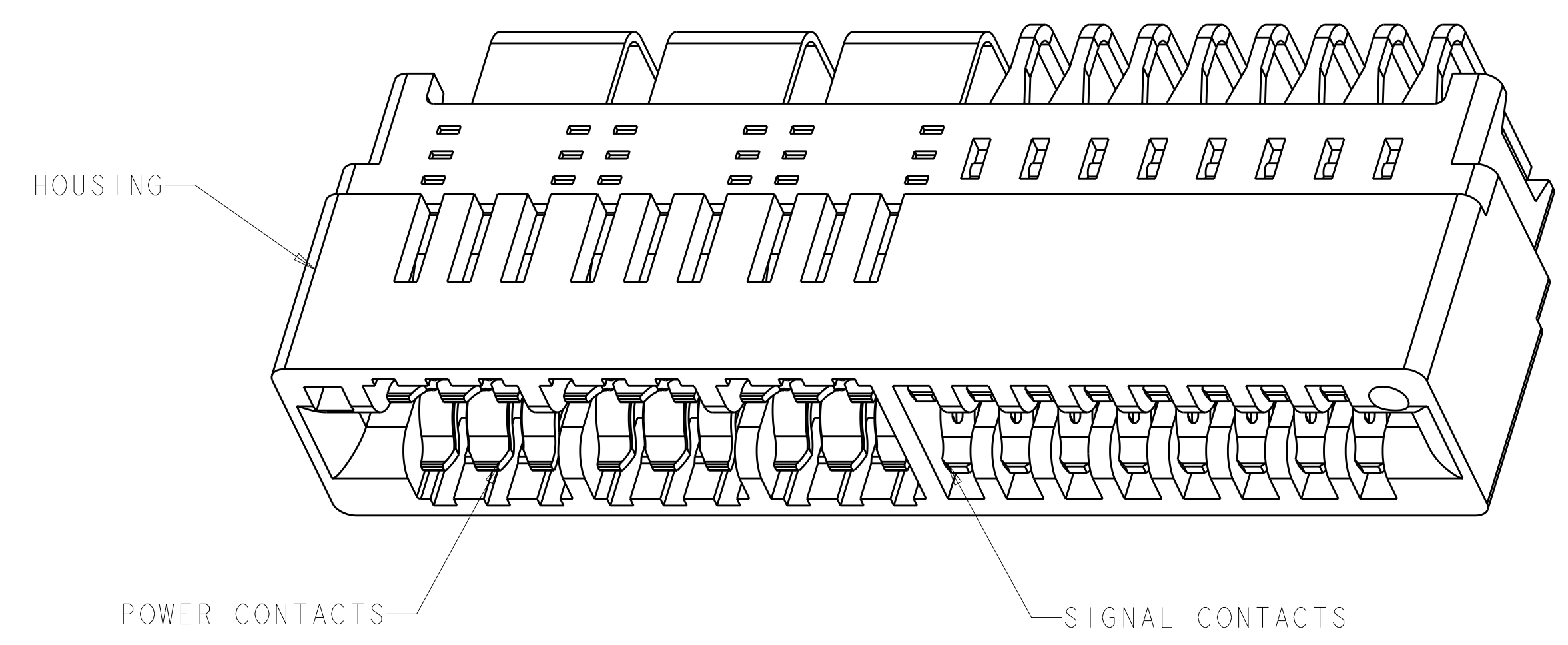
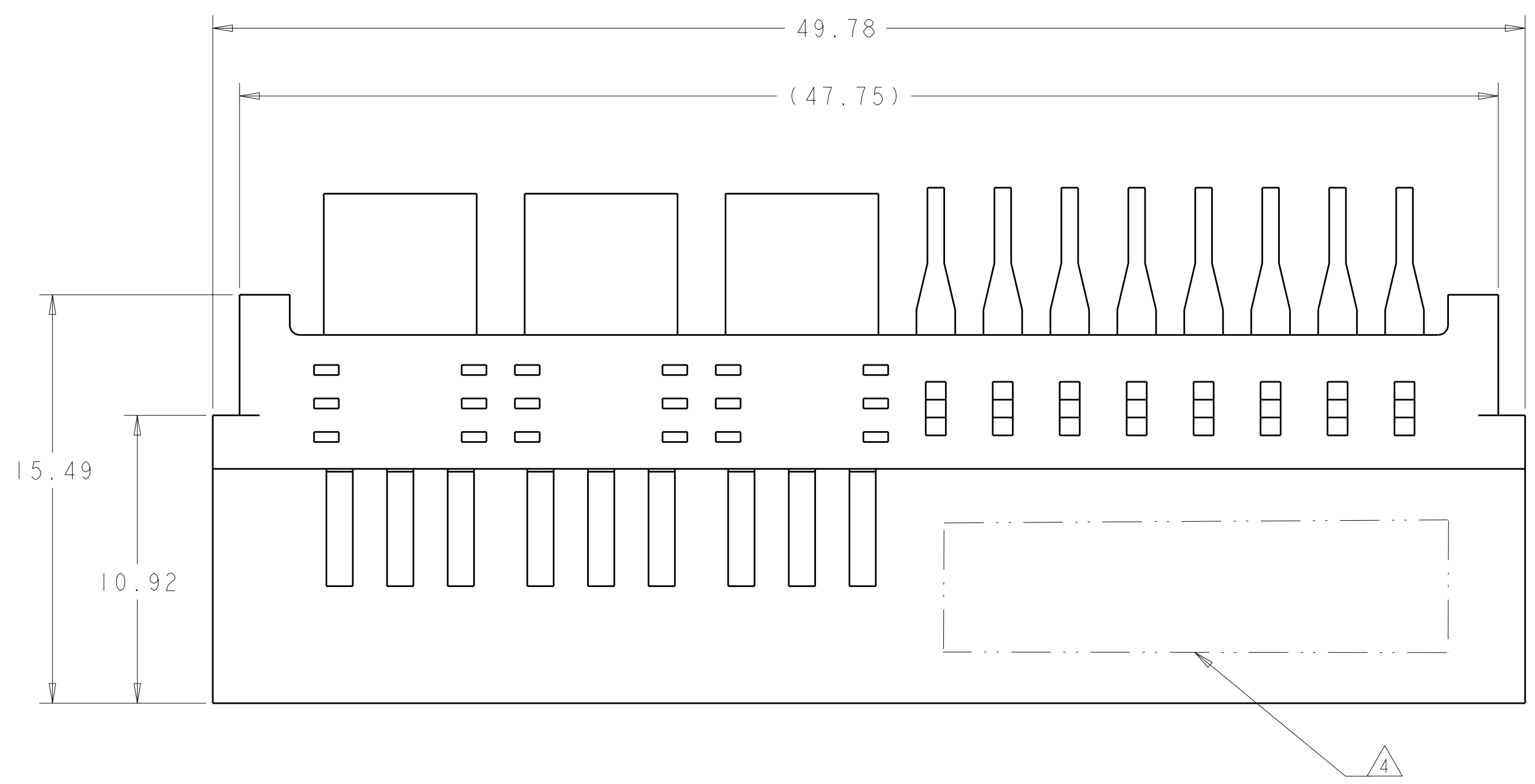
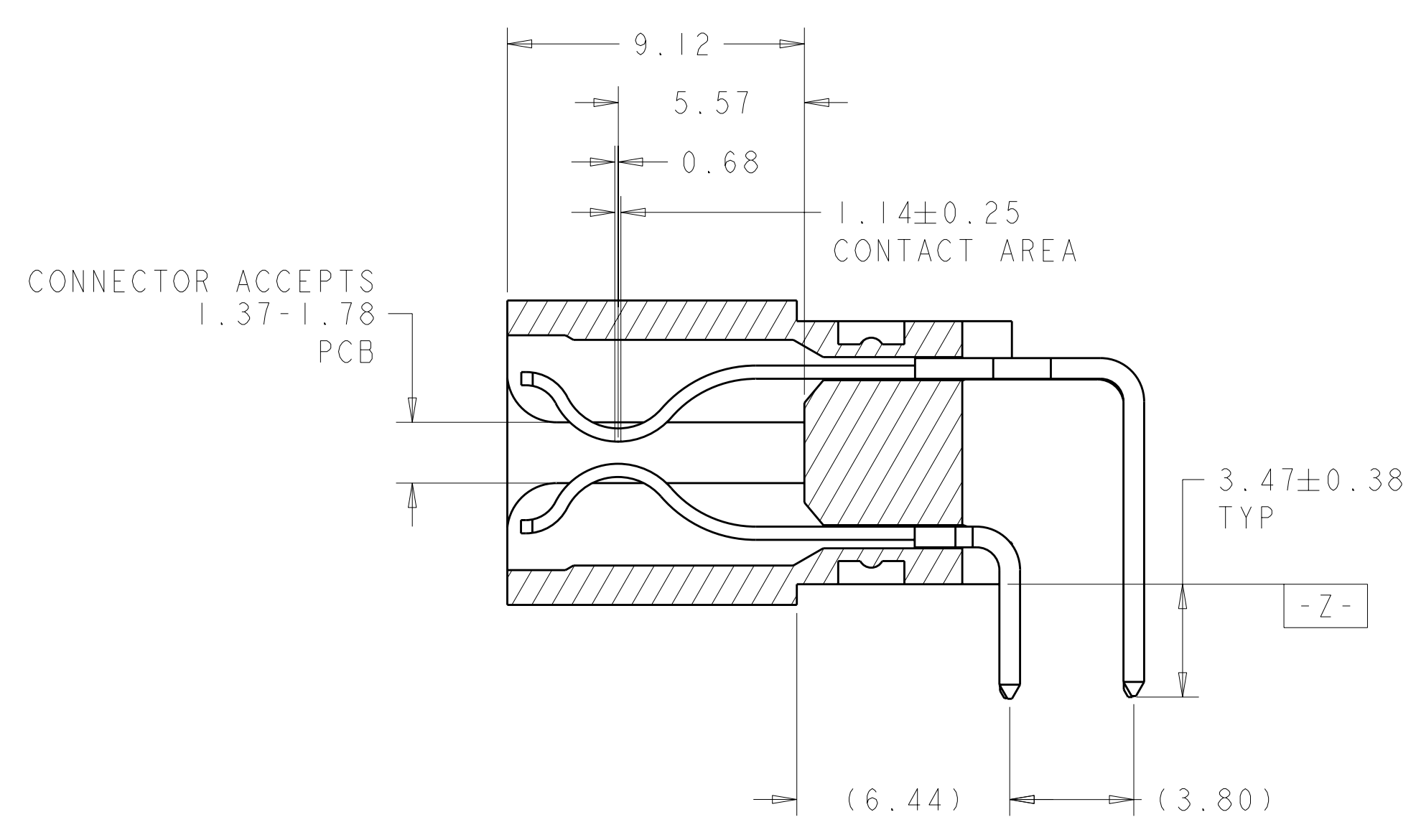
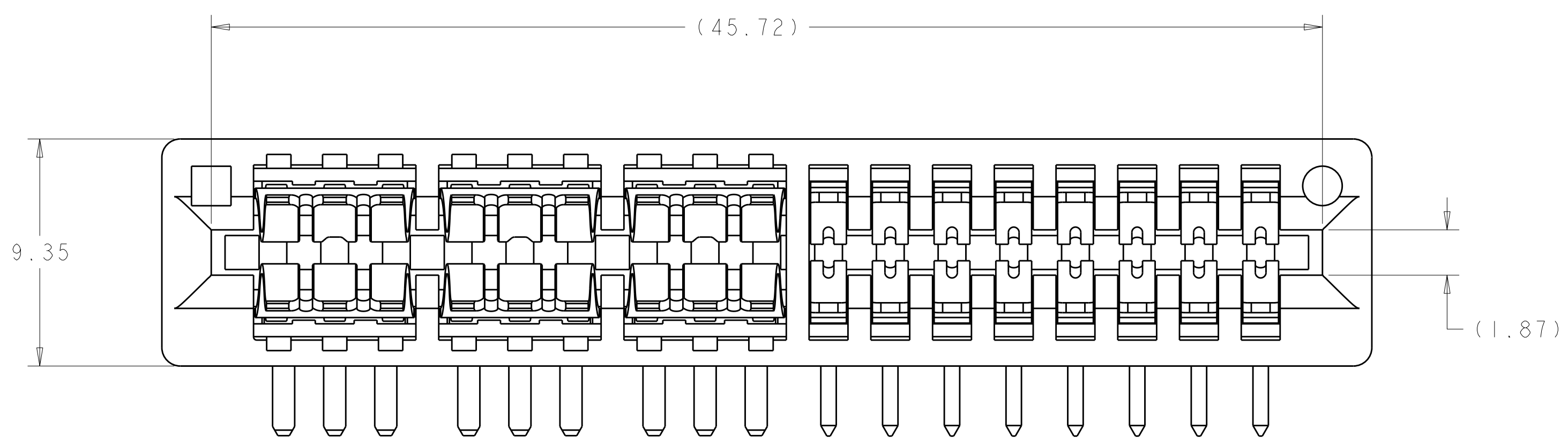


LOC	DIST	REVISIONS			
P	LTB	DESCRIPTION	DATE	DWN	APVD
GP	00	A	RELEASED PER ECO-10-014866	21JUL2010	RG MS



ISOMETRIC FRONT VIEW



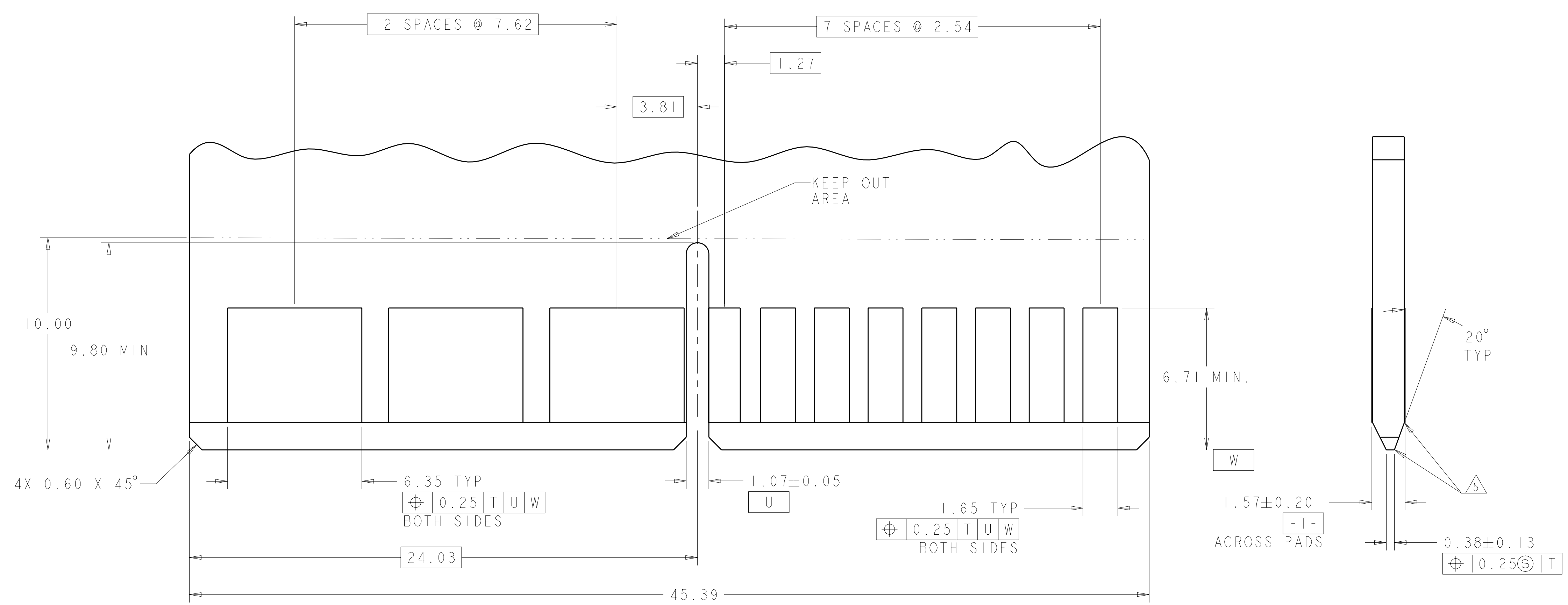
SECTION Z-Z

- 1 MATERIAL:
 HOUSING - THERMOPLASTIC, GLASS REINFORCED,
 COLOR: BLACK, UL94V-0 FLAMMABILITY RATED.
 CONTACT - HIGH CONDUCTIVITY COPPER,
- 2 FINISH:
 CONTACT - GOLD PLATE 0.76µm MIN. THK., OVER NICKEL
 1.27µm MIN. THK
 SOLDER TAILS - MATTE TIN 2.54µm MIN. THK.
 OVER NICKEL 1.27µm MIN THK.
- 3. NO BURRS AND/OR SHARP EDGES ARE PERMISSABLE.
- 4 CONNECTOR ASSEMBLY MARKED WITH PART NUMBER
 AND DATE CODE IN THIS AREA, APPROX. AS SHOWN.
- 5 DATUMS AND BASIC DIMENSIONS TO BE ESTABLISHED BY CUSTOMER.

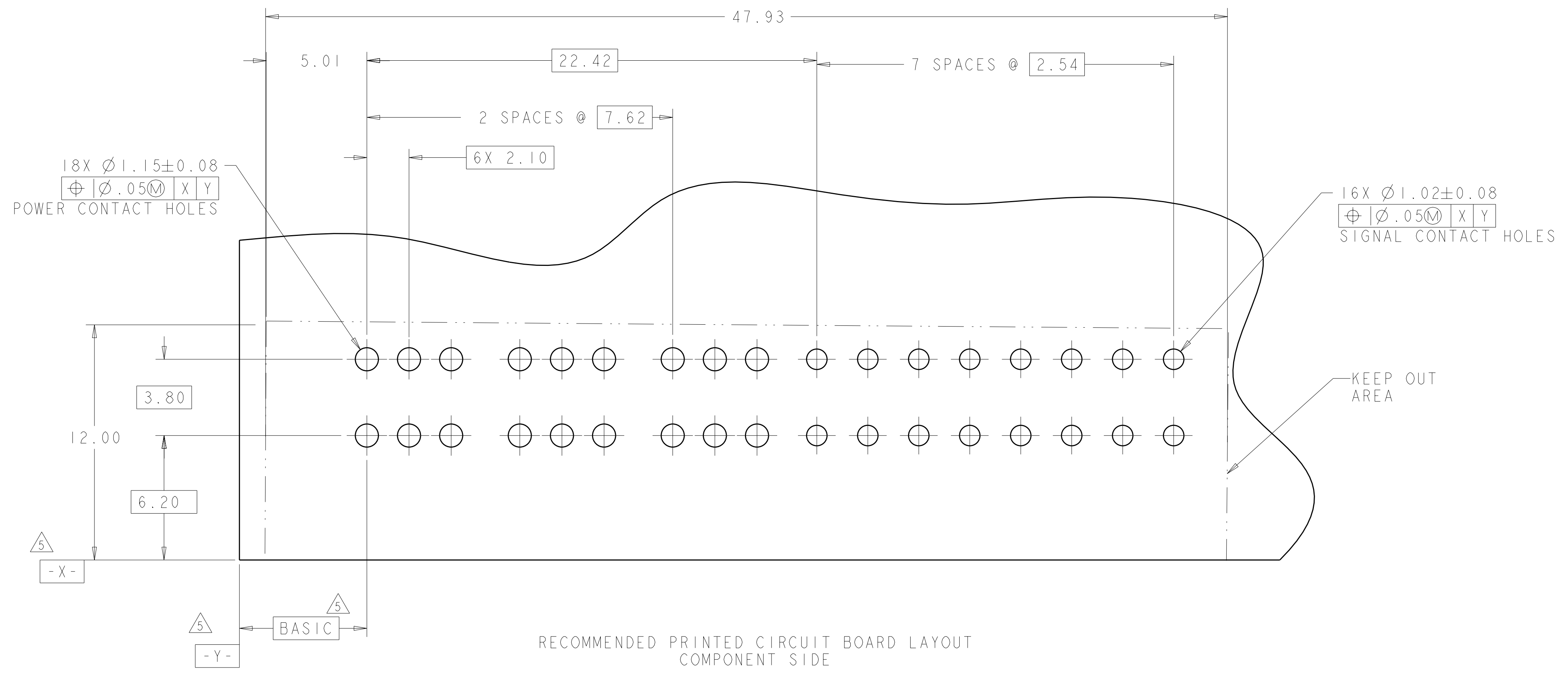
3P X 8S	2057372-1
DESCRIPTION	PART NUMBER

DIMENSIONS: mm 		TOLERANCES UNLESS OTHERWISE SPECIFIED: 9 PLC ± 1 PLC ±0.25 5 PLC ± 4 PLC ± ANGLES ±°		DWN D. LORD 31JUL2008 CHK G. PIETERS 15SEP2008 APVD A. FRANTUM 19SEP2008 NAME PRODUCT SPEC 108-2022 APPLICATION SPEC 114-13018 WEIGHT CUSTOMER DRAWING		Tyco Electronics Harrisburg, PA 17105-3608 NAME CONNECTOR ASSY, STANDARD EDGE 11 RIGHT ANGLE 9 POWER X 8 SIGNAL SIZE CAGE CODE DRAWING NO A100779C=2057372 RESTRICTED TO	
MATERIAL FINISH		SCALE 1:1 SHEET 1 OF 2 REV A		Tyco Electronics Harrisburg, PA 17105-3608 NAME CONNECTOR ASSY, STANDARD EDGE 11 RIGHT ANGLE 9 POWER X 8 SIGNAL SIZE CAGE CODE DRAWING NO A100779C=2057372 RESTRICTED TO			

LOC	DIST	REV	DATE	BY	APPD
GP	00				
REVISIONS			DATE	BY	APPD
		SEE SHEET 1			



RECOMMENDED MATING BOARD EDGE CONFIGURATION
 TYP. BOTH SIDES



RECOMMENDED PRINTED CIRCUIT BOARD LAYOUT
 COMPONENT SIDE

<small>THIS DRAWING IS UNPUBLISHED. RELEASED FOR PUBLICATION. IT IS SUBJECT TO CHANGE WITHOUT NOTICE. TOLERANCES UNLESS OTHERWISE SPECIFIED: DIMENSIONS SHALL BE CONTACTED FOR THE LATEST REVISION.</small>		DWN: D. LORD 31 JUL 2008 CHK: G. PIETERS 15 SEP 2008 APPD: A. FRANTUM 19 SEP 2008	Tyco Electronics Harrisburg, PA 17105-3608
DIMENSIONS: mm 	TOLERANCES UNLESS OTHERWISE SPECIFIED: 9 PLC ± 1 PLC ± 2 PLC ±0.25 3 PLC ± 4 PLC ± ANGLES ±°	NAME: CONNECTOR ASSY, STANDARD EDGE 11 RIGHT ANGLE 9 POWER X 8 SIGNAL PRODUCT SPEC: 108-2022 APPLICATION SPEC: 114-13018 WEIGHT: - CUSTOMER DRAWING	SIZE: A CAGE CODE: 100779 DRAWING NO: C=2057372 RESTRICTED TO: - SCALE: 1:1 SHEET: 2 OF 2 REV: A

X-ON Electronics

Largest Supplier of Electrical and Electronic Components

Click to view similar products for [D-Sub Standard Connectors](#) category:

Click to view products by [TE Connectivity](#) manufacturer:

Other Similar products are found below :

[DCM37S732N](#) [DAM15P500](#) [DEV09S364GTLF](#) [DEM09P032N](#) [DDM50P732N](#) [DAM15S332N](#) [173109-2218](#) [173109-2466](#) [173109-2436](#)
[173109-2435](#) [56F706-005-LI](#) [56F711-015](#) [015-0341-000](#) [015-0372-008](#) [015-8544-011](#) [017041-0005](#) [020419-0104](#) [012-0515-000](#) [012-9507-](#)
[034](#) [012-9507-114](#) [012-9534-001](#) [020745-0008](#) [609-25P](#) [M24308/2-23Z](#) [M243082310F](#) [M243082410F](#) [M243082411F](#) [M24308/4-21](#)
[CT1A18-11PSA206](#) [CT1N36-5SC](#) [CT2-16S-17PS](#) [CT2-20-15PCAU](#) [CT2-24-12PS](#) [CT2-24-28PSF127A206](#) [CT2-32-9PC](#) [CT6F9767-14-4-](#)
[14S-5PC](#) [CT6FA10SL-4PS](#) [CT7-18-10SC](#) [CT7-18-10SCAU](#) [CT7-18-12SCAU](#) [CT7-18-1PC](#) [CT7-18-1PCAU](#) [CT7-18-21SCAU](#) [M83513/01-](#)
[FC](#) [M83723/76W24619 L/C](#) [M85049/48-3-2F](#) [69001-865](#) [6STD09PCM99B70X](#) [6STD09SCM99B30X](#) [6STD09SCT99S40X](#)