

3615KL (92[□] x 38^L)



EMINEBEA.COM

General Specifications

Motor Protection:

Auto Restart/Polarity Protection

Insulation Resistance: 10M Ω or over with a DC500V Megger

Dielectric Withstand Voltage: AC 700V 1s

Allowable Ambient Temperature Range:

B50 Class: -10°C ~ +60°C (Operating)

B30~B40 Class: -10°C ~ +70°C (Operating)

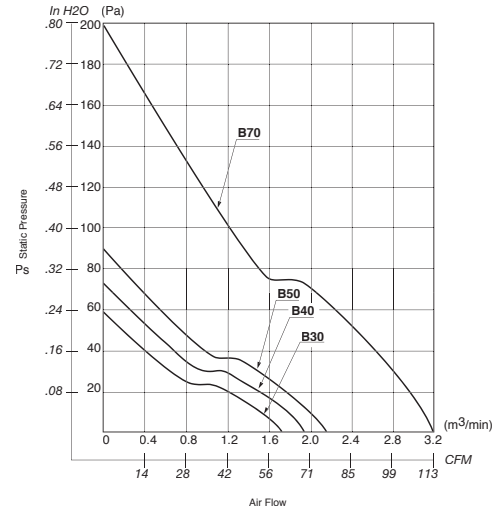
All Class: -40°C ~ +70°C (Storage)
(non-condensing environment)

Expected Life

Failure Rate: 10%

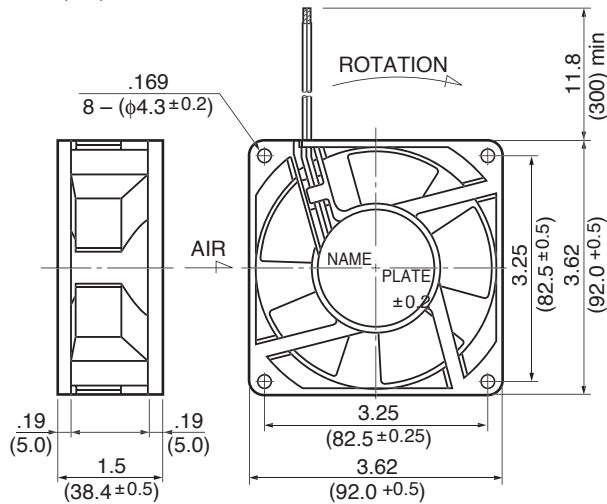
25°C 100,000 Hours (P00)

Characteristic Curves

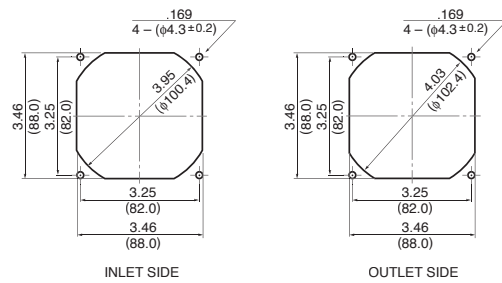


Outline

Units: $\frac{\text{inch}}{\text{mm}}$



Panel Cut-outs



Material

Casing : Plastic (Black) 94V-0

Impeller : Plastic (Black) 94V-0

Bearing : Ball Bearing

Lead Wire : UL1061, AWG26, +Red, -Black

Specifications

MODEL	Product No.	Rated Voltage	Operating Voltage	Current	Input Power	Speed	Max. Air Flow		Max. Static Pressure		Noise	Mass
		(V)	(V)	(A) ^{*1}	(W) ^{*1}	(min ⁻¹) ^{*1}	CFM ^{*1}	(m ³ /min) ^{*1}	in H ₂ O	(Pa) ^{*1}	(dB) ^{*1}	(g)
3615KL-04W-B30-	P00	12	7.0 ~ 13.2	0.25	3.00	3200	60.3	1.71	.23	57.9	40.5	210
3615KL-04W-B40-	P00	12	7.0 ~ 13.2	0.34	4.08	3600	68.5	1.94	.29	72.0	44.0	210
3615KL-04W-B50-	P00	12	7.0 ~ 12.6	0.46	5.52	4000	76.2	2.16	.36	89.2	46.5	210
3615KL-05W-B30-	P00	24	12.0 ~ 26.4	0.15	3.60	3200	60.3	1.71	.23	57.9	40.5	210
3615KL-05W-B40-	P00	24	12.0 ~ 26.4	0.20	4.80	3600	68.5	1.94	.29	72.0	44.0	210
3615KL-05W-B50-	P00	24	12.0 ~ 25.2	0.24	5.76	4000	76.2	2.16	.36	89.2	46.5	210
3615KL-07W-B70-	P00	48	30.0 ~ 50.2	0.36	17.3	5800	110.0	3.10	.71	178.0	55.0	210

Rotation: Clockwise

Airflow Outlet: Air Out Over Struts

*1: Average Values in Free Air

X-ON Electronics

Largest Supplier of Electrical and Electronic Components

Click to view similar products for [nmb technologies](#) manufacturer:

Other Similar products are found below :

[F250A5-072-D0520](#) [FBA12G12U1A](#) [3610KL-04W-B10-E00](#) [3610SB-05W-B50-B00](#) [3610PS-12W-B30-A00](#) [1004KL-01W-B50-B00](#)
[17250VA-48R-GA-00](#) [3115FS-23T-B20-A00](#) [3110KL-05W-B60-D00](#) [09232JE-12M-BA-F0](#) [15050VA-24R-GA-00](#) [3115FS-12T-B20-A00](#)
[12537JE-12P-BA-F0](#) [4715MS-12W-B1A-A00](#) [12032GA-12N-AA-00](#) [4715KL-05W-B19-E50](#) [12038VA-24P-EA-00](#) [3615KL-05W-B59-P50](#)
[3610SB-05W-B30-B00](#) [08038PB-A1L-EA-00](#) [08038PB-B3L-EA-00](#) [3115FS-12W-B20-A00](#) [3110RL-05W-B70-C00](#) [BM5115-04W-B50-L00](#)
[3610VL-05W-B50-B00](#) [4710KL-05W-B49-E00](#) [17PM-K455-00VS](#) [4710KL-05W-B10-E00](#) [R150A3-051-D0790](#) [R172A0-051-D0790](#)
[4715FS-12T-B00-D00](#) [08025SA-12M-EA-00](#) [4715KL-07W-B30-E00](#) [3612KL-04W-B50-B00](#) [08025DA-12P-AA-00](#) [11925PB-B3L-EA-00](#)
[4712KL-07W-B40-P00](#) [15038PB-A1L-EP-00](#) [3115PS-23W-B30-A00](#) [R200A0-051-D0760](#) [3612KL-05W-B50-B00](#) [5920PL-04W-B40-D00](#)
[14539GA-12N-AA-00](#) [4712KL-04W-B50-P00](#) [2410ML-04W-B69-E50](#) [3610KL-05W-B40-B00](#) [4715FS-23T-B20-D00](#) [4715TS-20W-B50-](#)
[BM0](#) [4715FS-23W-B5A-D00](#) [1608KL-01W-B50-L00](#)