

U.I. Lapp GmbH	PRODUCT INFORMATION	
	SKINTOP® INOX / SKINTOP® INOX-R	12.09.2012

High corrosion-resistance
Smooth surfaces - no edges
Compact design
Sea water-resistant
Wide, variable clamping ranges



Info

Stainless steel version with compact design

Application range

Pharmaceutical industry
Food industry (product-free zone, splash zone)
Onshore and offshore applications
Bottling plants and breweries

Design

Metric connection thread acc. to EN 50262

Approvals (Norm references)

DIN EN ISO 14 159 Security of machinery – Hygienic requirements for the design of machinery
DIN EN 1672-2 Guideline for the design of machinery
EHEDG Hygienic design for machinery and components

Remark

Photographs are not to scale and do not represent detailed images of the respective products.




Product Management	Document: LAPP_PRO214997EN.pdf	1 / 3
--------------------	--------------------------------	-------

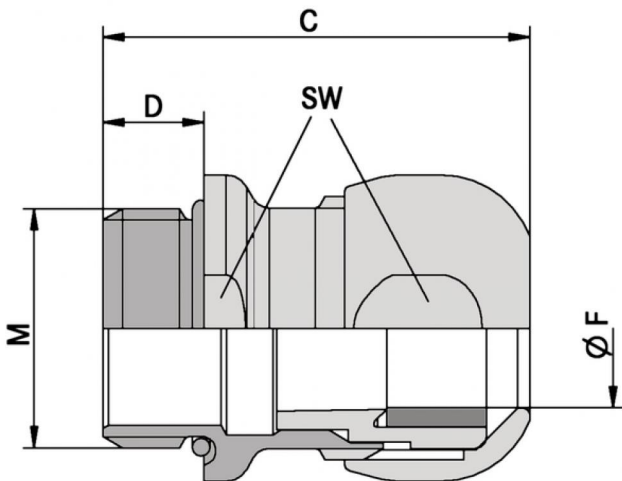
Part number	Article designation / size	Clamping range ØF (mm)	Thread length/ D (mm)	SW (mm)	Overall length
SKINTOP® INOX					
53806740	16x1,5	4,5-10	7	20	32,4
53806741	20x1,5	7-13	8	24	35,8
53806742	25x1,5	9-17	8	29	37,8
53806743	32x1,5	11-21	9	36	43,3
SKINTOP® INOX-R					
53806750	16x1,5	2-7	7	20	32,4
53806751	20x1,5	5-10	8	24	35,8
53806752	25x1,5	6-13	8	29	37,8
53806753	32x1,5	7-15	9	36	43,3

Product Management

Document: LAPP_PRO214997EN.pdf

2 / 3

U.I. Lapp GmbH	PRODUCT INFORMATION	
	SKINTOP® INOX / SKINTOP® INOX-R	12.09.2012



Product Management	Document: LAPP_PRO214997EN.pdf	3 / 3
--------------------	--------------------------------	-------

X-ON Electronics

Largest Supplier of Electrical and Electronic Components

Click to view similar products for [Wire Identification category](#):

Click to view products by [Lapp Kabel manufacturer](#):

Other Similar products are found below :

[CU6337-000](#) [CU6342-000](#) [FCA-410-12](#) [11631010](#) [1-1768037-1](#) [1-1768037-2](#) [1-1768050-0](#) [PXLK-VI](#) [Q62184-1](#) [A64304-000](#) [QMT221](#)
[HK032WE1NF038B](#) [1330-0519-10](#) [1395199-1](#) [1395200-1](#) [1395202-1](#) [DMVF050WE-300S6](#) [D-SCE-1K-2.4-50-4-CS7834](#) [1538738-1](#)
[E90935-000](#) [EC1238-000](#) [EC1465-000](#) [EC1855-000](#) [EC1859-000](#) [EC1863-000](#) [EC5415-000](#) [EC7277-000](#) [EC7352-000](#) [EC7603-000](#)
[EC7707-000](#) [EC7735-000](#) [EC7768-000](#) [EC7828-000](#) [EC7854-000](#) [EC7952-000](#) [EC8128-000](#) [1768037-8](#) [1768041-7](#) [NC-127191-10-9](#)
[HS048WE2NF038B](#) [C03232-000](#) [HTCM-SCE-14-4H-9](#) [HTMS-3/16-9](#) [HT-SCE-1/4-2.0-4](#) [HT-SCE-3/16-2.0-4](#) [HTTMS-1/2-1.50-9](#) [HTTMS-](#)
[CM-1/2-4H-9](#) [HX-SCE-19.0-50-9](#) [HX-SCE-6.4-50-4](#) [C25254-000](#)