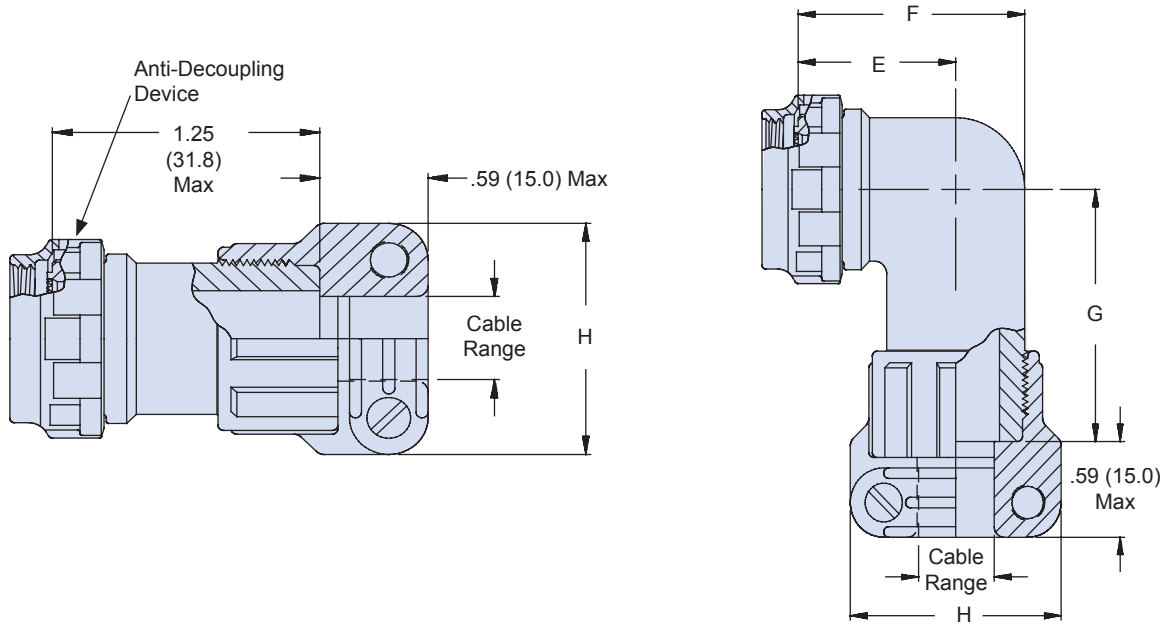
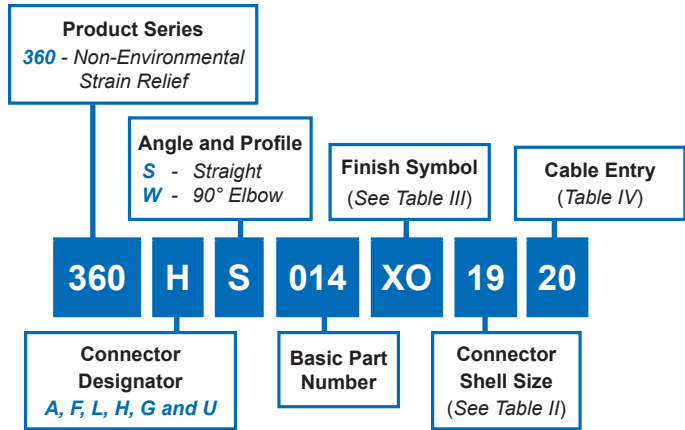


360-014 Composite Non-Environmental Backshell with Self-Locking Rotatable Coupling and Strain Relief

A

| CONNECTOR DESIGNATOR: | |
|---------------------------|-------------------------------------------------------------|
| A | MIL-DTL-5015, -26482 Series II, and -83723 Series I and III |
| F | MIL-DTL-38999 Series I, II |
| L | MIL-DTL-38999 Series 1.5 (JN1003) |
| H | MIL-DTL-38999 Series III and IV |
| G | MIL-DTL-28840 |
| U | DG123 and DG123A |
| SELF-LOCKING | |
| ROTATABLE COUPLING | |
| STANDARD PROFILE | |



NOTES

1. Coupling nut supplied unplated.
2. See Table I in Intro for front-end dimensional details.

360-014
Composite Non-Environmental Backshell
with Self-Locking Rotatable Coupling
and Strain Relief



TABLE II: CONNECTOR SHELL SIZE ORDER NUMBER

| Shell Size For Connector Designator* | | | | | E | F | G | Max Entry |
|--------------------------------------|-----|----|----|----|-------------|-------------|-------------|------------|
| A | F/L | H | G | U | ±.06 (1.5) | ±.09 (2.3) | ±.09 (2.3) | Dash No.** |
| 08 | 08 | 09 | - | - | .69 (17.5) | .88 (22.4) | 1.06 (27.0) | 10 |
| 10 | 10 | 11 | - | 08 | .75 (19.1) | 1.00 (25.4) | 1.13 (28.7) | 12 |
| 12 | 12 | 13 | 11 | 10 | .81 (20.6) | 1.13 (28.7) | 1.19 (30.2) | 14 |
| 14 | 14 | 15 | 13 | 12 | .88 (22.4) | 1.31 (33.3) | 1.38 (35.1) | 16 |
| 16 | 16 | 17 | 15 | 14 | .94 (23.9) | 1.38 (35.1) | 1.44 (36.6) | 20 |
| 18 | 18 | 19 | 17 | 16 | .97 (24.6) | 1.44 (36.6) | 1.47 (37.3) | 20 |
| 20 | 20 | 21 | 19 | 18 | 1.06 (26.9) | 1.63 (41.4) | 1.56 (39.6) | 22 |
| 22 | 22 | 23 | - | 20 | 1.13 (28.7) | 1.75 (44.5) | 1.63 (41.4) | 24 |
| 24 | 24 | 25 | 23 | 22 | 1.19 (30.2) | 1.88 (47.8) | 1.69 (42.9) | 28 |
| 28 | - | - | 25 | 24 | 1.34 (34.0) | 2.13 (54.1) | 1.78 (45.2) | 32 |

**Consult factory for additional entry sizes available.

TABLE III: FINISH

| Symbol | Finish Description |
|--------|--------------------------------------------------------------------------------------------|
| XB | No Plating - Black Color |
| XM | 2000 Hour Corrosion Resistant Electroless Nickel |
| XMT | 2000 Hour Corrosion Resistant Ni-PTFE, Nickel-Fluorocarbon Polymer. <i>1000 Hour Grey™</i> |
| XO | No Plating - Brown Color |
| XW | 2000 Hour Corrosion Resistant Cadmium/Olive Drab over Electroless Nickel |

TABLE IV: CABLE ENTRY

| Dash No. | H | | Cable Range | |
|----------|-------------|------------|-------------|--|
| | ±.06 (1.5) | Minimum | Maximum | |
| 10 | .94 (23.9) | .16 (4.0) | .25 (6.4) | |
| 12 | 1.17 (29.7) | .29 (5.1) | .38 (9.7) | |
| 14 | 1.28 (32.5) | .40 (10.1) | .44 (11.2) | |
| 16 | 1.41 (35.8) | .52 (12.7) | .63 (15.9) | |
| 18 | 1.50 (38.1) | .58 (14.7) | .69 (17.5) | |
| 20 | 1.56 (39.6) | .64 (16.3) | .75 (19.1) | |
| 22 | 1.69 (42.9) | .72 (18.3) | .88 (22.2) | |
| 24 | 1.81 (46.0) | .79 (20.0) | 1.00 (25.4) | |
| 28 | 1.91 (48.5) | .89 (20.3) | 1.13 (28.6) | |
| 32 | 2.02 (51.3) | .96 (24.4) | 1.25 (31.8) | |

X-ON Electronics

Largest Supplier of Electrical and Electronic Components

Click to view similar products for [Circular MIL Spec Backshells](#) category:

Click to view products by [Glenair](#) manufacturer:

Other Similar products are found below :

[5M2919-3DW](#) [5M2920-3CW](#) [5M2953-1HW](#) [60-036152-022](#) [610HS012M15](#) [M28840/504WA](#) [M28840/805WB](#) [M28840/809WA](#)
[M28840/815WA](#) [M28840/816WA](#) [627AS017M14](#) [62GB5851608S](#) [655HS002NF11](#) [CW3703-000](#) [CW3899-000](#) [M85049/10-134S](#)
[M85049/10-17S](#) [M85049/10-33S](#) [M85049/10-94W](#) [M85049/11-09W](#) [M85049/11-28N](#) [M85049/11-37N](#) [M85049/11-53N](#) [M85049/11-63N](#)
[M85049/118-20W](#) [M85049/124-23W](#) [M85049/124S09W](#) [M85049/126S23W](#) [M850491712W02](#) [M85049/1720N04B](#) [M85049/1817N06](#)
[M850491819W03](#) [M85049/1821W05C](#) [M85049/1825W06C](#) [M85049/1919N05](#) [M85049/1919W04](#) [M850491919W07](#) [M85049/23-59W](#)
[M85049/23-74W](#) [M8504924-5W](#) [M85049/24-71N](#) [M85049/25-47N](#) [M85049/25-94W](#) [M85049/27S12N](#) [M8504938-13S](#) [M85049/38-19S](#)
[M85049/39-11S](#) [M85049/39-17S](#) [M85049/39-9S](#) [M85049/3W4A2](#)