

NOTES:

1. MATERIALS AND FINISHES:
 BODIES & SLEEVE - BRASS, GOLD PLATING
 CONTACT & RETAINING RING - BeCu, GOLD PLATING
 INSULATORS - PTFE, NATURAL
 FERRULE - COPPER, GOLD PLATING
2. ELECTRICAL:
 A. IMPEDANCE: 50 OHM
 B. FREQUENCY RANGE: DC - 4 GHz
 C. VSWR : 1.30 MAX.
 D. DIELECTRIC WITHSTANDING VOLTAGE: 1000 VRMS, MIN.
3. MECHANICAL:
 A. DURABILITY: 500 CYCLES MIN.
 B. TEMPERATURE RANGE: -65° C TO +165° C

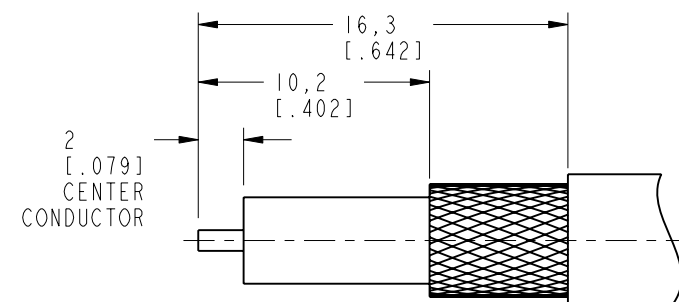
4. PACKAGING:
 A. BULK PACK 25 CONNECTOR BODY ASSEMBLIES IN ANTI-STATIC BAG WITH 25 OF THE UNASSEMBLED COMPONENTS IN SEPARATE BAGS.
 B. MARK BAG OR TAG
 "AMPHENOL, 903-40IP-51S, QUANTITY 25, DATE CODE,"
 C. ITEMS 1, 5 & 6 ARE PACKAGED LOOSE.
5. CABLE ASSEMBLY INSTRUCTIONS:
 A. TRIM CABLE AS SHOWN.
 B. SLIDE FERRULE ONTO THE CABLE AND LEAD CABLE THROUGH BODY-ASSEMBLY
 C. SOLDER THE CONTACT TO THE CABLE
 D. ASSEMBLE THE INSULATOR TO THE SUB-ASSEMBLY.
 E. FIT THE BODY-ASSEMBLY TO THE SUB- ASSEMBLY.
 F. CRIMP FERRULE WITH 0.151" HEX.

6 SHOWS CABLE ENTRY DIMENSIONS.

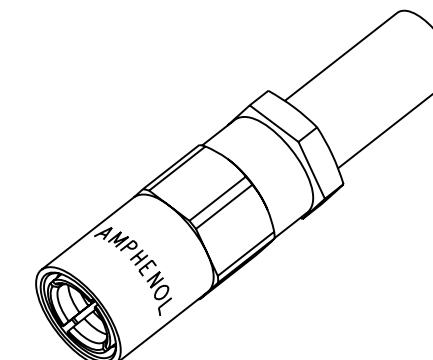
THIRD ANGLE PROJ.

REVISIONS

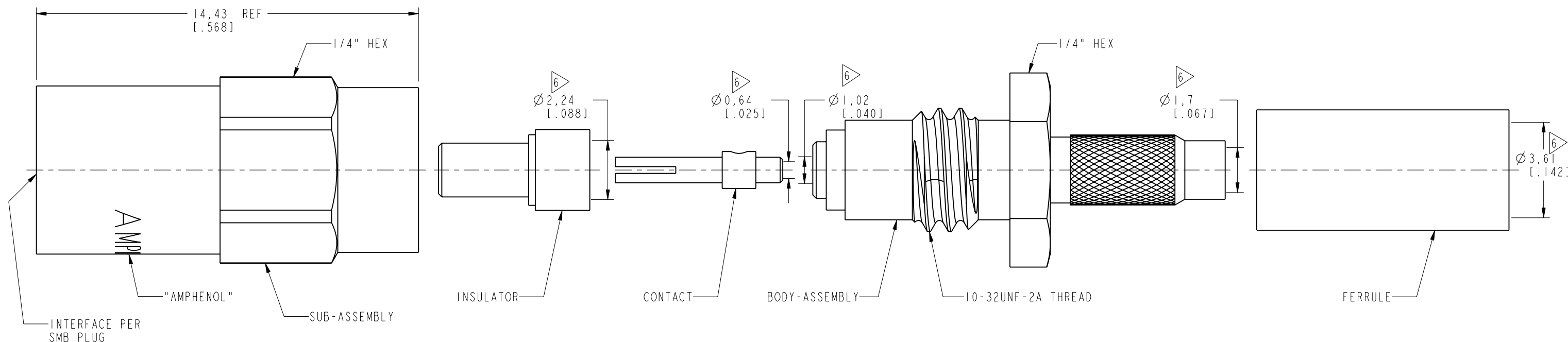
REV	DESCRIPTION	DATE	ECO	APPR
A	RELEASE TO MFG.	12/10/91	35873	FSH/
B	REDRAWN WAS C SIZE, DEL NOTE 2, CHG'D NOTE 1 & 5 ADD NOTES 6 & 7, ITEM 6 WAS 903-10062-1, ADD PLATE CODES	1/14/98	42281	CPM
C	REDRAWING IN PROE, SYNCHRONIZE DRAWING	18-May-15	50220	AAP



RECOMMENDED CABLE STRIPPING DIMENSIONS



SCALE 2.500



CUSTOMER OUTLINE DRAWING

ALL OTHER SHEETS ARE FOR INTERNAL USE ONLY

UNLESS OTHERWISE SPECIFIED, DIMENSIONS ARE IN METRIC AND TOLERANCES ARE: <0.5mm ±0.05mm 0.5 - 6mm ±0.1mm 6 - 30mm ±0.2mm 30 - 120mm ±0.3mm ANGLES ±1°	MATERIAL	DRAWN	DATE	TITLE 50 OHM SMB STR PLUG CRIMP FOR RD 316 DBL SHIELD	Amphenol RF www.amphenolrf.com
	SEE NOTES	S. DUAN	18-May-15		
NOTICE - These drawings, specifications, or other data (1) are, and remain the property of Amphenol corp. (2) must be returned upon request; and (3) are confidential and not to be disclosed to any person other than those to whom they are given by Amphenol Corp. the furnishing of these drawings, specifications, or other data by Amphenol Corp., or to any other person to anyone for any purpose is not to be regarded by implication or otherwise in any manner licensing, granting rights to permitting such holder or any other person to manufacture, use or sell any product, process or design, patented or otherwise, that may in any way be related to or disclosed by said drawings, specifications, or other data.	REFERENCE	ENGINEER	DATE	SCALE: 6.8:1.0	DRAWING NO.903-40IP-51S ITEM NO.903-40IP-51S PART NO.903-40IP-51S
	EAR 111-962875 615X-1073-100 SIM TO 903-370P-51S	GEFFERY	23-Mar-07	SHEET 2 OF 2	
	FINISH	APPROVED	DATE	DWG SIZE	REV
	S. HSIEH	22-May-15	B	C	

X-ON Electronics

Largest Supplier of Electrical and Electronic Components

Click to view similar products for [RF Connectors / Coaxial Connectors](#) category:

Click to view products by [Amphenol](#) manufacturer:

Other Similar products are found below :

[R125315120](#) [8915-1511-000](#) [89674-0827](#) [5916-1103-603](#) [0106-001-000](#) [6-0001-3](#) [6001-7071-019](#) [6002-7051-003](#) [6002-7551-202](#) [6059674-1](#) [619550-1](#) [630059-000](#) [M39012/25-0021](#) [M39012/79-3008](#) [M39030/3-01N](#) [M39030/3-03N](#) [M3933/25-29N](#) [M3933/25-36N](#) [6500-7071-046](#) [6501-1071-002](#) [M83723/72W24576](#) [M83723/72W2457N](#) [6769](#) [CX050L2AQ](#) [7002-1541-010](#) [7002-1572-002](#) [7003-1572-002](#) [7004-1512-000](#) [7009-1511-004](#) [7010-1511-000](#) [7029-1511-060](#) [7101-1541-010](#) [7101-1571-002](#) [7105-1521-002](#) [7145-1521-002](#) [7209-1511-011](#) [7210-1511-012](#) [7210-1511-015](#) [7210-1511-019](#) [7210-1511-040](#) [7225-1512-050](#) [7242-1511-000](#) [73137-5015](#) [73251-0111](#) [73251-0672](#) [73276-1501](#) [73366-0013](#) [73404-2300](#) [73413-6080](#) [734151610](#)