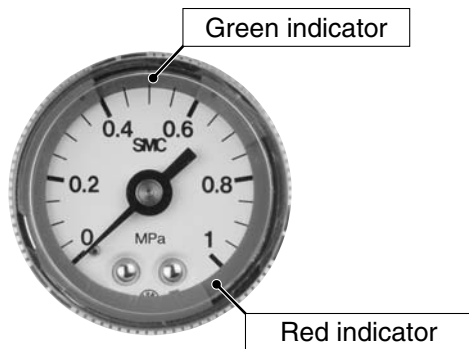
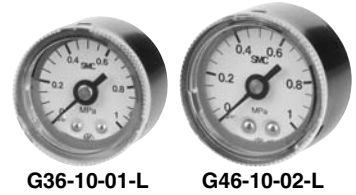


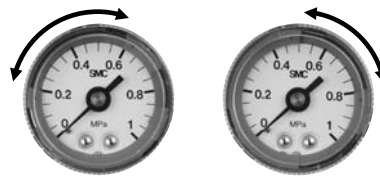
Pressure Gauge with Limit Indicator/ Color Zone Type

Series **G36-L/G46-L**

■ Red and green zones offer improved visibility of pressure control range.



Indicator adjusts to highlight preferred range.



Standard Specifications

Model		G36-L	G46-L
Type		Back side thread	
Port size ⁽¹⁾		R 1/8	R 1/8, R 1/4
Fluid ⁽²⁾		Air	
Indication precision		±3% F.S. (Full span) ⁽³⁾	
Material	Case (Surface treatment)	Rolled steel (Black melamine painted)	
	Clear cover	Polycarbonate (Part no.: G36-00-00-3) Nylon (Part no.: G36-00-00-3N)	Polycarbonate (Part no.: G46-00-00-3) Nylon (Part no.: G46-00-00-3N)
	Stud	Brass	
	Bourdon tube	Brass	
Mass (kg)		0.04	0.05

Note 1) When mounting a pressure gauge, use caution not to tighten excessively. Excessive tightening will cause product to be damaged. Use a pipe tape for sealing.

Recommended tightening torque: R 1/8: Set between 7 and 9 N·m, R 1/4: 12 and 14 N·m respectively.

Note 2) When using other fluids, please consult with SMC for fluid compatibility information concerning corrosive potential.

Note 3) Temperature conditions: at 20°C (±5°C), in other cases, ±6°C F.S.

Model (Standard)

Model	Pressure range ⁽¹⁾		Green zone setting range		Indication unit	Connection thread	Note
	MPa		Minimum setting range (MPa)	Maximum setting range (MPa)			
G36-2-01-L□	0 to 0.2		0.01	0.1	MPa	R 1/8	—
G36-4-01-L□	0 to 0.4		0.02	0.2			
G36-10-01-L□	0 to 1.0		0.05	0.5			
G46-2-01 to 02-L□	0 to 0.2		0.01	0.1		R 1/8, 1/4	
G46-4-01 to 02-L□	0 to 0.4		0.02	0.2			
G46-10-01 to 02-L□	0 to 1.0		0.05	0.5			

Note 1) Do not apply pressure more than the maximum display pressure. This will cause a malfunction.

Model (Made to Order)

Model	Pressure range ⁽¹⁾		Green zone setting range		Indication unit	Connection thread	Note
	MPa	psi	Minimum setting range (MPa (psi))	Maximum setting range (MPa (psi))			
G36-P2-01-L□-X30	0 to 0.2	0 to 30	0.01 (2)	0.1 (14)	MPa, psi	R 1/8	—
G36-P4-01-L□-X30	0 to 0.4	0 to 60	0.02 (4)	0.2 (28)			
G36-P10-01-L□-X30	0 to 1.0	0 to 150	0.05 (10)	0.5 (70)			
G46-P2-01 to 02-L□-X30	0 to 0.2	0 to 30	0.01 (2)	0.1 (14)		R 1/8, 1/4	
G46-P4-01 to 02-L□-X30	0 to 0.4	0 to 60	0.02 (4)	0.2 (28)			
G46-P10-01 to 02-L□-X30	0 to 1.0	0 to 150	0.05 (10)	0.5 (70)			

Note 1) Do not apply pressure more than the maximum display pressure. This will cause a malfunction.

Pressure Gauge with Limit Indicator/ Color Zone Type **Series G36-L/G46-L**

How to Order

G36-10-01-L □ □

Size

Symbol	Outside diameter
36	ø37.5
46	ø42.5

Max. display pressure

Symbol	Unit
2	0.2 MPa
4	0.4 MPa
10	1.0 MPa
P2 <small>Note)</small>	0.2 MPa, 30 psi
P4 <small>Note)</small>	0.4 MPa, 60 psi
P10 <small>Note)</small>	1.0 MPa, 150 psi

Note) This symbol must be used with Option "X30."

Made to Order

Symbol	Specifications
Nil	—
X30	Both MPa and psi

Clear cover material

Symbol	Material
Nil	Polycarbonate
N	Nylon

Color zone type

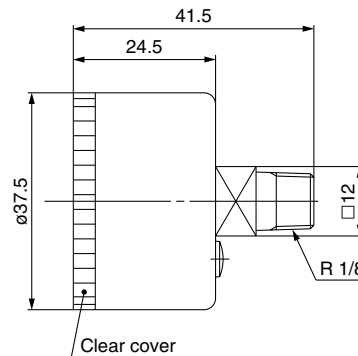
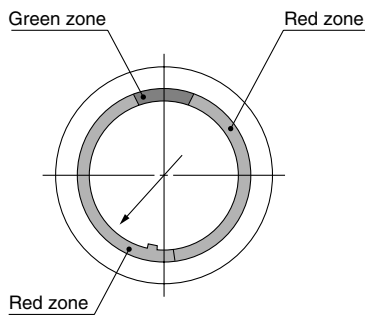
Thread port size

Symbol	Port	Applicable size	
		G36	G46
01	R 1/8	●	●
02	R 1/4	—	●

G
GS
PPA

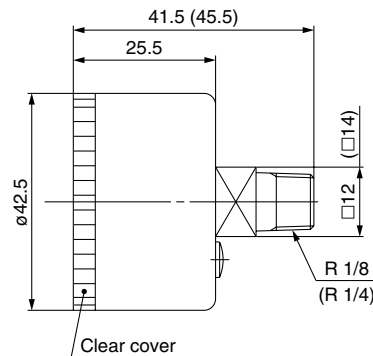
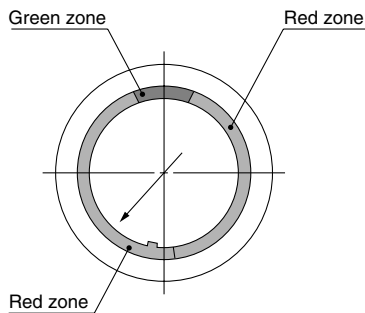
Dimensions

G36



- Polycarbonate part no.: G36-00-00-3
- Nylon part no.: G36-00-00-3N

G46



- Polycarbonate part no.: G46-00-00-3
- Nylon part no.: G46-00-00-3N

(): R 1/4

X-ON Electronics

Largest Supplier of Electrical and Electronic Components

Click to view similar products for [Other Tools](#) category:

Click to view products by [SMC](#) manufacturer:

Other Similar products are found below :

[CR-05FL7--150R](#) [CR-05FL7--698K](#) [899-2-KT46](#) [899-5-KT46](#) [CR-0AFL4--332K](#) [CR-12FP4--260R](#) [CRCW04021100FRT7](#)
[CRCW04021961FRT7](#) [5800-0090](#) [CRCW04024021FRT7](#) [CRCW040254R9FRT7](#) [CRCW0603102JRT5](#) [59065-5](#) [00-8273-RDPP](#) [00-8729-](#)
[WHPP](#) [593033](#) [593058](#) [593072](#) [593564100](#) [593575](#) [593591](#) [593593](#) [011349-000](#) [LTLA506SBLAMNBL](#) [CRCW08052740FRT1](#) [LUC-](#)
[012S070DSM](#) [LUC-018S070DSP](#) [599-2021-3-NME](#) [599-JJ-2021-03](#) [00-5080-YWPP](#) [5E4750/01-20R0-T/R](#) [LW1A-L1-GL](#) [LW1A-P1-GD](#)
[LW1L-A1C10V-GL](#) [LW1L-M1C70-A](#) [0202-0173](#) [00-9089-RDPP](#) [00-9300-RDPP](#) [CRCW2010331JR02](#) [01-1003W-8/32-10](#) [601-GP-08-](#)
[KT39](#) [601-JJ-06](#) [601-SPB](#) [601YSY](#) [602-JJ-03](#) [602SPB](#) [602Z](#) [603-JJ-07-FP](#) [603-JJY-04](#) [604J](#)