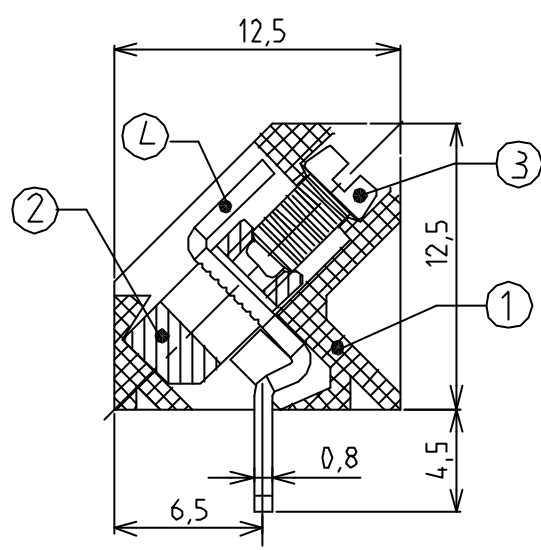
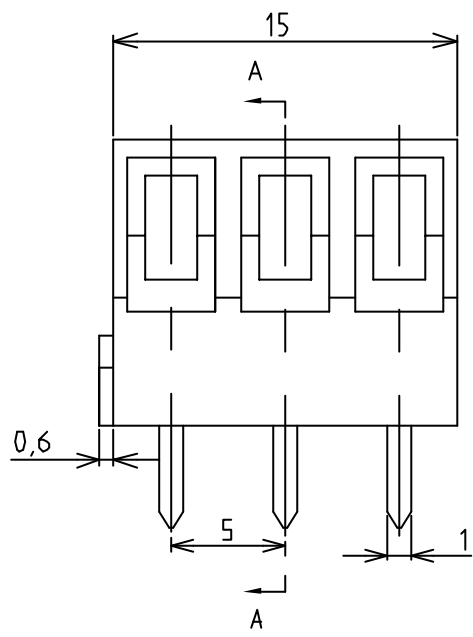
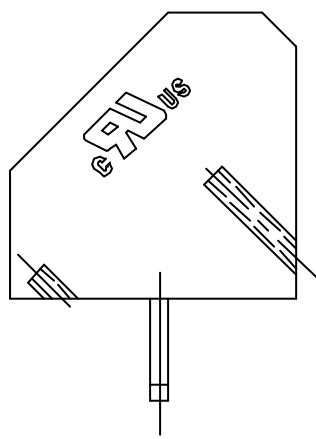


used for:

- NOTES:
- 1, Rating: 250V 16A;
  - 2, Insulation Withstands Voltage: AC 1500V/MIN
  - 3, Insulation Resistance: 1000MΩ or more at DC 500V
  - 4, Using Temperature Range: -40°C -- +115°C
  - 5, Screw Torque Value: 3.5 kg-cm<sup>2</sup>
  - 6, Suitable Electric Wire: 12-26 AWG



Section A--A

4	Pin	J017M111111	3	HPb59-1	Tin Plated		
3	Screw	S011113011	3	Steel	M3 Zinc plated		
2	Block	C111111300	3	HPb59-1	Ni Plated		
1	Housing	0117P01411	1	PBT G21	UL94V-0		
ITEM	NAME OF PART	NO OF PART	Q'TY	MATERIAL	NDTE		
DWG.	CHENR	DATE	2004/11/31	UNTS	MN	SHEET/DF	1/1
CHK.		DATE		SCALE	3:1		
APP.		DATE		NAME			20.300M (LEAD FREE)
				DWG NO.			

Pitch range in mm		Nominal dimension range		radius	clearance	slant angle	side	≠	□	∥
2	0	16	24	32	0.5	3	6	11	50	120
to	to	to	to	to	to	to	to	to	to	to
8	16	24	32	36	3	6	30	11	50	120
to	to	to	to	to	to	to	to	to	to	to
16	24	32	36	3	6	30	11	50	120	481
to	to	to	to	to	to	to	to	to	to	to
16	24	32	36	3	6	30	11	50	120	481
to	to	to	to	to	to	to	to	to	to	to
16	24	32	36	3	6	30	11	50	120	481
to	to	to	to	to	to	to	to	to	to	to
16	24	32	36	3	6	30	11	50	120	481
to	to	to	to	to	to	to	to	to	to	to
16	24	32	36	3	6	30	11	50	120	481
to	to	to	to	to	to	to	to	to	to	to
16	24	32	36	3	6	30	11	50	120	481
to	to	to	to	to	to	to	to	to	to	to
16	24	32	36	3	6	30	11	50	120	481
to	to	to	to	to	to	to	to	to	to	to
16	24	32	36	3	6	30	11	50	120	481
to	to	to	to	to	to	to	to	to	to	to
16	24	32	36	3	6	30	11	50	120	481
to	to	to	to	to	to	to	to	to	to	to
16	24	32	36	3	6	30	11	50	120	481
to	to	to	to	to	to	to	to	to	to	to
16	24	32	36	3	6	30	11	50	120	481
to	to	to	to	to	to	to	to	to	to	to
16	24	32	36	3	6	30	11	50	120	481
to	to	to	to	to	to	to	to	to	to	to
16	24	32	36	3	6	30	11	50	120	481
to	to	to	to	to	to	to	to	to	to	to
16	24	32	36	3	6	30	11	50	120	481
to	to	to	to	to	to	to	to	to	to	to
16	24	32	36	3	6	30	11	50	120	481
to	to	to	to	to	to	to	to	to	to	to
16	24	32	36	3	6	30	11	50	120	481
to	to	to	to	to	to	to	to	to	to	to
16	24	32	36	3	6	30	11	50	120	481
to	to	to	to	to	to	to	to	to	to	to
16	24	32	36	3	6	30	11	50	120	481
to	to	to	to	to	to	to	to	to	to	to
16	24	32	36	3	6	30	11	50	120	481
to	to	to	to	to	to	to	to	to	to	to
16	24	32	36	3	6	30	11	50	120	481
to	to	to	to	to	to	to	to	to	to	to
16	24	32	36	3	6	30	11	50	120	481
to	to	to	to	to	to	to	to	to	to	to
16	24	32	36	3	6	30	11	50	120	481
to	to	to	to	to	to	to	to	to	to	to
16	24	32	36	3	6	30	11	50	120	481
to	to	to	to	to	to	to	to	to	to	to
16	24	32	36	3	6	30	11	50	120	481
to	to	to	to	to	to	to	to	to	to	to
16	24	32	36	3	6	30	11	50	120	481
to	to	to	to	to	to	to	to	to	to	to
16	24	32	36	3	6	30	11	50	120	481
to	to	to	to	to	to	to	to	to	to	to
16	24	32	36	3	6	30	11	50	120	481
to	to	to	to	to	to	to	to	to	to	to
16	24	32	36	3	6	30	11	50	120	481
to	to	to	to	to	to	to	to	to	to	to
16	24	32	36	3	6	30	11	50	120	481
to	to	to	to	to	to	to	to	to	to	to
16	24	32	36	3	6	30	11	50	120	481
to	to	to	to	to	to	to	to	to	to	to
16	24	32	36	3	6	30	11	50	120	481
to	to	to	to	to	to	to	to	to	to	to
16	24	32	36	3	6	30	11	50	120	481
to	to	to	to	to	to	to	to	to	to	to
16	24	32	36	3	6	30	11	50	120	481
to	to	to	to	to	to	to	to	to	to	to
16	24	32	36	3	6	30	11	50	120	481
to	to	to	to	to	to	to	to	to	to	to
16	24	32	36	3	6	30	11	50	120	481
to	to	to	to	to	to	to	to	to	to	to
16	24	32	36	3	6	30	11	50	120	481
to	to	to	to	to	to	to	to	to	to	to
16	24	32	36	3	6	30	11	50	120	481
to	to	to	to	to	to	to	to	to	to	to
16	24	32	36	3	6	30	11	50	120	481
to	to	to	to	to	to	to	to	to	to	to
16	24	32	36	3	6	30	11	50	120	481
to	to	to	to	to	to	to	to	to	to	to
16	24	32	36	3	6	30	11	50	120	481
to	to	to	to	to	to	to	to	to	to	to
16	24	32	36	3	6	30	11	50	120	481
to	to	to	to	to	to	to	to	to	to	to
16	24	32	36	3	6	30	11	50	120	481
to	to	to	to	to	to	to	to	to	to	to
16	24	32	36	3	6	30	11	50	120	481
to	to	to	to	to	to	to	to	to	to	to
16	24	32	36	3	6	30	11	50	120	481
to	to	to	to	to	to	to	to	to	to	to
16	24	32	36	3	6	30	11	50	120	481
to	to	to	to	to	to	to	to	to	to	to
16	24	32	36	3	6	30	11	50	120	481
to	to	to	to	to	to	to	to	to	to	to
16	24	32	36	3	6	30	11	50	120	481
to	to	to	to	to	to	to	to	to	to	to
16	24	32	36	3	6	30	11	50	120	481
to	to	to	to	to	to	to	to	to	to	to
16	24	32	36	3	6	30	11	50	120	481
to	to	to	to	to	to	to	to	to	to	to
16	24	32	36	3	6	30	11	50	120	481
to	to	to	to	to	to	to	to	to	to	to
16	24	32	36	3	6	30	11	50	120	481
to	to	to	to	to	to	to	to	to	to	to
16	24	32	36	3	6	30	11	50	120	481
to	to	to	to	to	to	to	to	to	to	to
16	24	32	36	3	6	30	11	50	120	481
to	to	to	to	to	to	to	to	to	to	to
16	24	32	36	3	6	30	11	50	120	481
to	to	to	to	to	to	to	to	to	to	to
16	24	32	36	3	6	30	11	50	120	481
to	to	to	to	to	to	to	to	to	to	to
16	24	32	36	3	6	30	11	50	120	481
to	to	to	to	to	to	to	to	to	to	to
16	24	32	36	3	6	30	11	50	120	481
to	to	to	to	to	to	to	to	to	to	to
16	24	32	36	3	6	30	11	50	120	481
to	to	to	to	to	to	to	to	to	to	to
16	24	32	36	3	6	30	11	50	120	481
to	to	to	to	to	to	to	to	to	to	to
16	24	32	36	3	6	30	11	50	120	481
to	to	to	to	to	to	to	to	to	to	to
16	24	32	36	3	6	30	11	50	120	481
to	to	to	to	to	to	to	to	to	to	to
16	24	32	36	3	6	30	11	50	120	481
to	to	to	to	to	to	to	to	to	to	to
16	24	32	36	3	6	30	11	50	120	481
to	to	to	to	to	to	to	to	to	to	to
16	24	32	36	3	6	30	11	50	120	481
to	to	to	to	to	to	to	to	to	to	to
16	24	32	36	3	6	30	11	50	120	481
to	to	to	to	to	to	to	to	to	to	to
16	24	32	36	3	6	30	11	50	120	481
to	to	to	to	to	to	to	to	to	to	to
16	24	32	36	3	6	30	11	50	120	481
to	to	to	to	to	to	to	to	to	to	to
16	24	32	36	3	6	30	11	50	120	481
to	to	to	to	to	to	to	to	to	to	to
16	24	32	36	3	6	30				

## X-ON Electronics

Largest Supplier of Electrical and Electronic Components

*Click to view similar products for [imo manufacturer](#):*

Other Similar products are found below :

[20.155MV/12-E](#) [MC14N-S-10110AC](#) [MB09-S-10=24](#) [DPS-1-030-24](#) [SRF-1C-SL-12VDC](#) [MB09-S-1024](#) [LDC18RRS](#) [SFSYE0111](#)  
[21.1500M/6-E](#) [20.3304M/2-E](#) [21.910M/5-E](#) [20.95MA/2-E](#) [21.95MHF/2-E](#) [PE69-4032](#) [DPS-1-060-24](#) [CS20A-A2](#) [CS20A-U1](#) [VFC02](#)  
[MSSTC11DA06](#) [20.95MHF/3-E](#) [B3T10](#) [XKL-040-21](#) [20.3304M/4-E](#) [SRDH-1A-SL-24VDC](#) [20.2500M/5-E](#) [21.155MH/12](#) [SRRHN-2CN-](#)  
[SL-12VDC](#) [QYE21XXF24DC](#) [20.920M/5-E](#) [MC10N-S-10110AC](#) [21.1550MF/8-E](#) [20.910M/6-E](#) [20.95MH/3-E](#) [21.95MV/3](#) [MA05-S-](#)  
[01230AC](#) [SRRHN-2CN-SL-5VDC](#) [LB69-4040](#) [20.3001M/6](#) [21.1500M/3-E](#) [SFSYE0311](#) [21.95MHF/6-E](#) [20.95MV/2-E](#) [20.155MV/4-E](#)  
[20.155MH/4-E](#) [20.950M/2-E](#) [MT5 1-50-FAR](#) [BS3P3REDO](#) [MB12-S-10=24](#) [MA05-S-1024DC](#) [20.155MVF/8-E](#)