

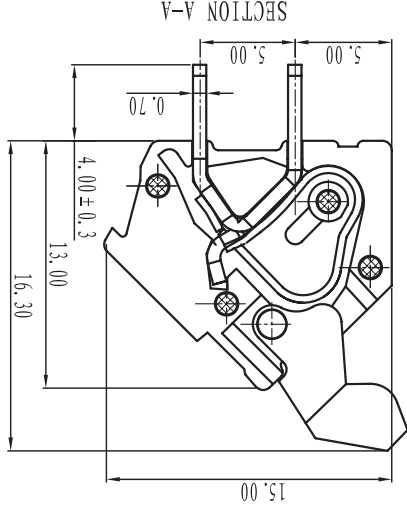
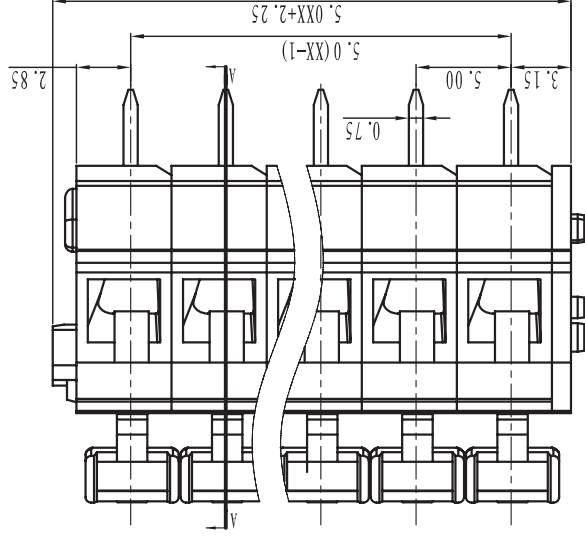
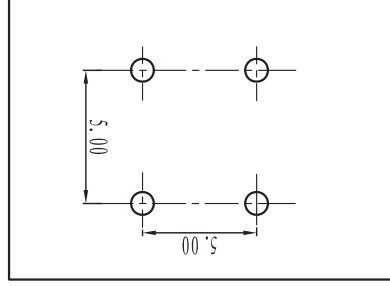
NAME 20.3001M/XX-E



UNITS mm SIZE A4 SCALE

tolerance	±0.1	±0.2	±0.3	±0.5	±0.9	±0.2	±0.5	±1	±1	1°	30'	20'	10'	0.5	0.025	0.06	0.12	0.4	
Variable range	to 6	to 30	to 120	to 480	to 480	all	to 6	to 10	to 50	to 120	to 50	to 120	to 10	all	to 5	to 30	to 120	to 120	
	over	over	over	over	over		over	over	over	over	over	over	over		over	over	over	over	over
	linear dimension	fillet	chamfer	short angle sid	≡	—	□	//	T										

TOLERANCES EXCEPT AS NOTED



Electrical  
 Standard: UL 300V 15A  
 Rated voltage: 300V 15A  
 Rated current: 10A 15A  
 Wire range: 26-14AWG 2.5mm<sup>2</sup>  
 Withstanding voltage: AC2000V/1Min  
 Insulation resistance: 500MΩ/DC500V  
 Mechanical  
 Temp. Range: -40°C ~ +105°C  
 MAX Soldering: +250°C, for 5 Sec  
 Strip length: 5-6mm  
 Dimensions  
 Pitch: 5.0mm  
 Poles: 1P-XXP  
 Material  
 Housing: PA66, UL94V-0  
 Wire guard: Stainless steel (SUS301)  
 Pin header: Brass, Tin plated

## X-ON Electronics

Largest Supplier of Electrical and Electronic Components

*Click to view similar products for imo manufacturer:*

Other Similar products are found below :

[20.155MV/12-E](#) [MC14N-S-10110AC](#) [DPS-1-030-24](#) [SRF-1C-SL-12VDC](#) [LDC18RRS](#) [SFSYE0111](#) [21.1500M/6-E](#) [20.3304M/2-E](#)  
[21.910M/5-E](#) [20.95MA/2-E](#) [21.95MHF/2-E](#) [PE69-4032](#) [DPS-1-060-24](#) [CS20A-A2](#) [CS20A-U1](#) [VFC02](#) [MSSTC11DA06](#) [20.2500M/4-E](#)  
[20.95MHF/3-E](#) [B3T10](#) [XKL-040-21](#) [20.3304M/4-E](#) [SRDH-1A-SL-24VDC](#) [20.2500M/5-E](#) [21.155MH/12](#) [SRRHN-2CN-SL-12VDC](#)  
[QYE21XXF24DC](#) [20.920M/5-E](#) [21.1550MF/8-E](#) [20.910M/6-E](#) [20.95MH/3-E](#) [MC10N-S-10110AC](#) [21.95MV/3](#) [MB09-S-1024](#) [MA05-S-](#)  
[01230AC](#) [SRRHN-2CN-SL-5VDC](#) [LB69-4040](#) [20.3001M/6](#) [SRGA-1A-SL-24VDC](#) [21.1500M/3-E](#) [21.95MHF/6-E](#) [20.95MV/2-E](#)  
[20.155MV/4-E](#) [ER2.5BEIGE](#) [20.950M/2-E](#) [MT5 1-50-FAR](#) [BS3P3REDO](#) [MB12-S-10=24](#) [MA05-S-1024DC](#) [20.155MVF/8-E](#)