
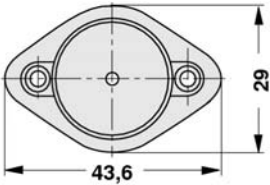
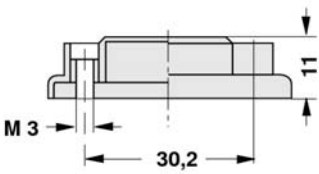

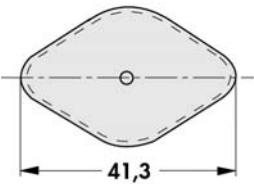
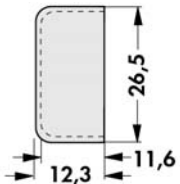


Insulating caps and insulator sleeves

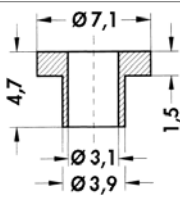
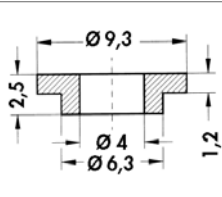
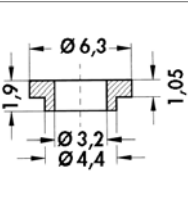
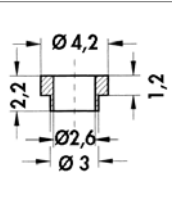
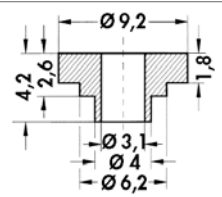
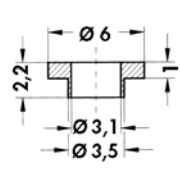
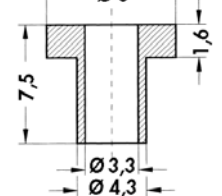
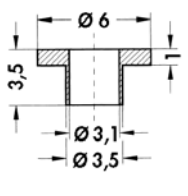
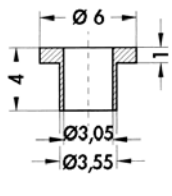
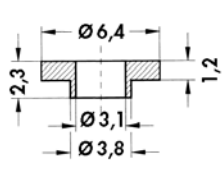
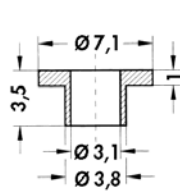
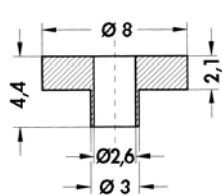
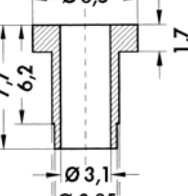
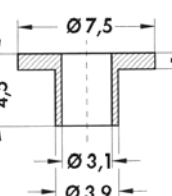
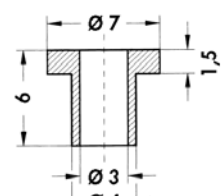
Insulating caps

different transistor flange levels will be compensated by the impressed sleeves

| | | | |
|-----------------|---|---|---|
| art. no. |  |  |  |
| IK 341 3 | | | |
| art. no. |  |  |  |
| IK 3 | | | |

| | |
|---------------------------|---------------------------------|
| material | polyamide, GF reinforced (caps) |
| pressed-in sleeves | brass, nickel-plated |
| flammability | UL 94 V-0 |

Insulator sleeves

| | | | | |
|---|---|---|--|---|
|  |  |  |  |  |
| art. no. IB 1 / IBT 1 | art. no. IB 2 / IBT 2 | art. no. IB 3 / IBT 3 | art. no. IB 4 / IBT 4 | art. no. IB 5 / IBT 5 |
|  |  |  |  |  |
| art. no. IB 6 / IBT 6 | art. no. IB 7 / IBT 7 | art. no. IB 8 / IBT 8 | art. no. IB 9 / IBT 9 | art. no. IB 10 / IBT 10 |
|  |  |  |  |  |
| art. no. IB 11 / IBT 11 | art. no. IB 12 / IBT 12 | art. no. IB 13 / IBT 13 | art. no. IB 14 / IBT 14 | art. no. IB 15 / IBT 15 |

| | | | |
|----------------------------|------------------------------|---------------------|-----------------------|
| | IB 1 - IB 7 | IB 8 - IB 15 | IBT 1 - IBT 15 |
| material | polyamide 4.6, GF reinforced | thermoplastic resin | PTFE (teflon) |
| form stability | -40 °C ... +163 °C | -10 °C ... +200 °C | -260 °C ... +250 °C |
| dielectric strength | >30 KV/mm | >38 KV/mm | >40 KV/mm |
| flammability | UL 94 V-0 | accordant UL 94 V-0 | UL 94 V-0 |

Mica wafers
Thermal conductive material
Mounting for TO 3 angle
Kapton insulator washers

→ E ?
→ E ? - ?
→ A ?
→ E ?

Aluminium oxide wafers
Thermal conductive paste
Thermal conductive glue
Distance sleeves

→ E ? - ?
→ E ?
→ E ?
→ E ? - ?

A
B
C
D
E
F
G
H
I
K
L
M
N

X-ON Electronics

Largest Supplier of Electrical and Electronic Components

Click to view similar products for [Gate Drivers](#) category:

Click to view products by [Fisher](#) manufacturer:

Other Similar products are found below :

[00028](#) [00053P0231](#) [8967380000](#) [56956](#) [CR7E-30DB-3.96E\(72\)](#) [57.404.7355.5](#) [LT4936](#) [57.904.0755.0](#) [5801-0903](#) [5803-0901](#) [5811-0902](#)
[5813-0901](#) [58410](#) [00576P0030](#) [00581P0070](#) [5882900001](#) [00103P0020](#) [00600P0005](#) [00-9050-LRPP](#) [00-9090-RDPP](#) [5951900000](#) [01-](#)
[1003W-10/32-15](#) [LTI LA6E-1S-WH-RC-FN12VXCR1](#) [0131700000](#) [00-2240](#) [LTP70N06](#) [LVP640](#) [0158-624-00](#) [5J0-1000LG-SIL](#) [020017-13](#)
[LY1D-2-5S-AC120](#) [LY2-0-US-AC120](#) [LY2-US-AC240](#) [LY3-UA-DC24](#) [00-5150](#) [00576P0020](#) [00600P0010](#) [LZNQ2M-US-DC5](#) [LZNQ2-](#)
[US-DC12](#) [LZP40N10](#) [00-8196-RDPP](#) [00-8274-RDPP](#) [00-8275-RDNP](#) [00-8609-RDPP](#) [00-8722-RDPP](#) [00-8728-WHPP](#) [00-8869-RDPP](#) [00-](#)
[9051-RDPP](#) [00-9091-LRPP](#) [00-9291-RDPP](#)