

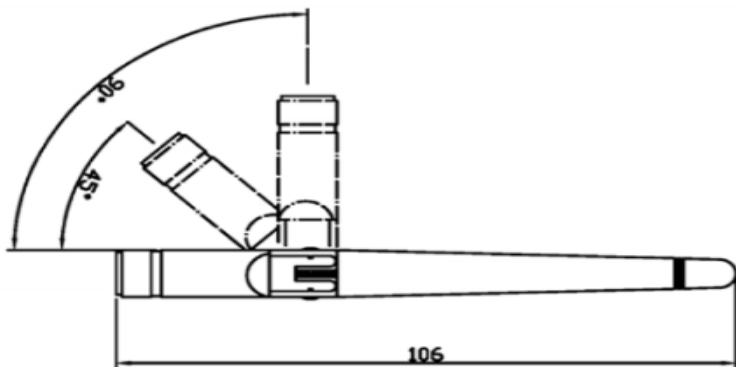


2.4G DIPOLE 2DBI ANTENNA FOR SMA MALE REVERSE POLARITY

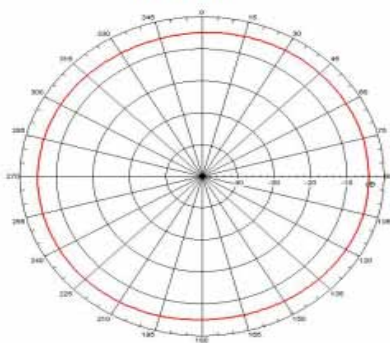
Part Number: LM251



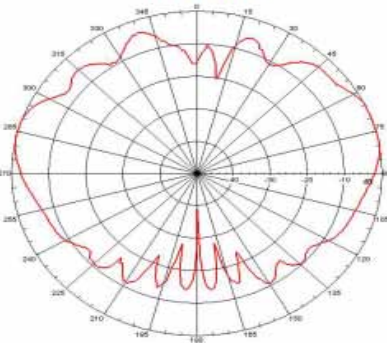
Type:	Dipole
Frequency:	2400~2500MHz
Gain:	2Dbi
Polarization:	Linear Vertical
SWR:	≤1.5:1
Impedance:	50 Ω
Base	
Connector:	SMA Male Reverse Polarity
Weight:	13g
Size:	H 105mm × W 10mm × D 10mm



H-PLANE



E-PLANE



Contact



LM Technologies Ltd
 Unit 19 Spectrum House
 32-34 Gordon House Road
 London
 NW5 1LP, UK.
 Tel : +44 (0) 207 428 2647
 Fax: +44 (0) 870 112 7636



X-ON Electronics

Largest Supplier of Electrical and Electronic Components

Click to view similar products for [lm technologies](#) manufacturer:

Other Similar products are found below :

[LM506](#) [LM930-0635](#) [LM931-0552](#) [LM254](#) [530-0653](#) [530-0654](#) [LM817-0655](#) [LM780](#) [LM252](#) [LM910-0630](#) [LM253](#) [LM251](#) [LM822-1459](#)