

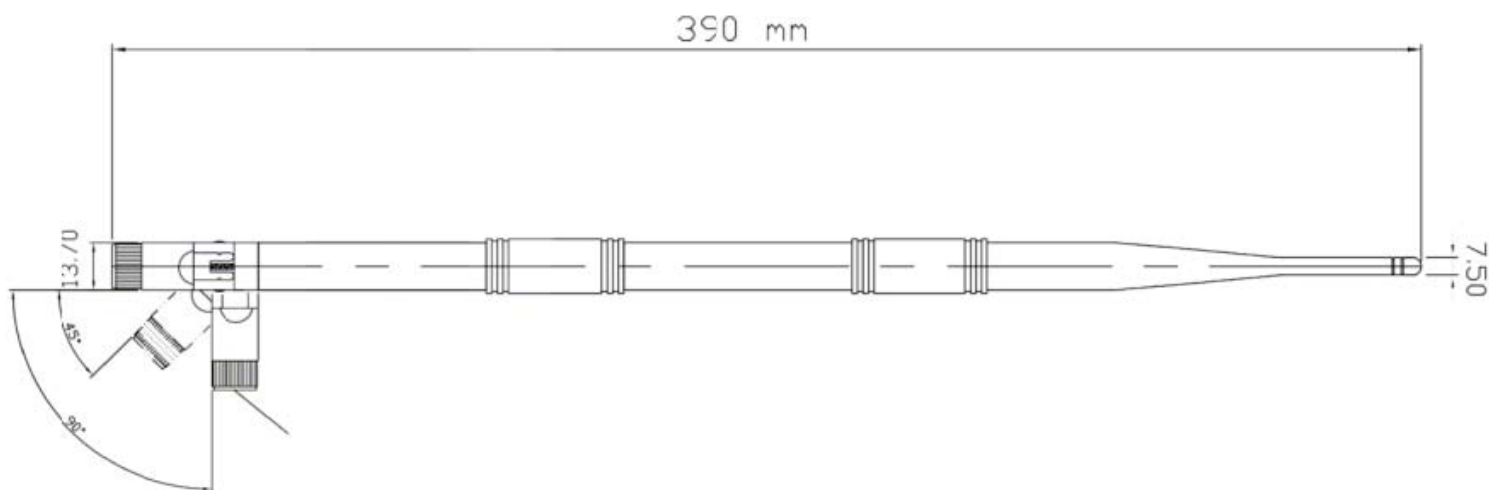


2.4G DIPOLE 9DBI ANTENNA FOR SMA MALE REVERSE POLARITY

Part Number: LM254

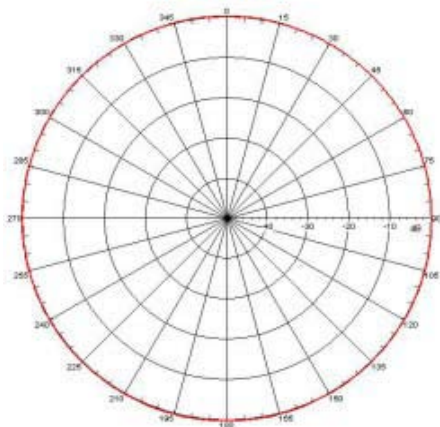


Type: Dipole
 Frequency: 2400~2500MHz
 Gain: 9Dbi
 Polarization: Linear Vertical
 SWR: $\leq 1.5:1$
 Impedance: 50 Ω
 Base
 Connector: SMA Male Reverse Polarity
 Weight: 60g
 Size: H 390mm x W 13.7mm x D 13.7mm
 Certification: RoHS

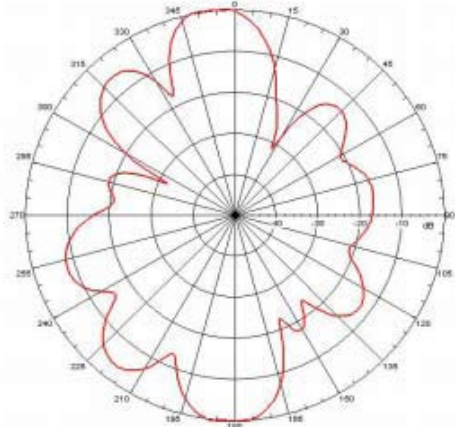


ANTENNA CONNECTOR: SMA PLUG RP (Option)

H-PLANE



E-PLANE



Contact

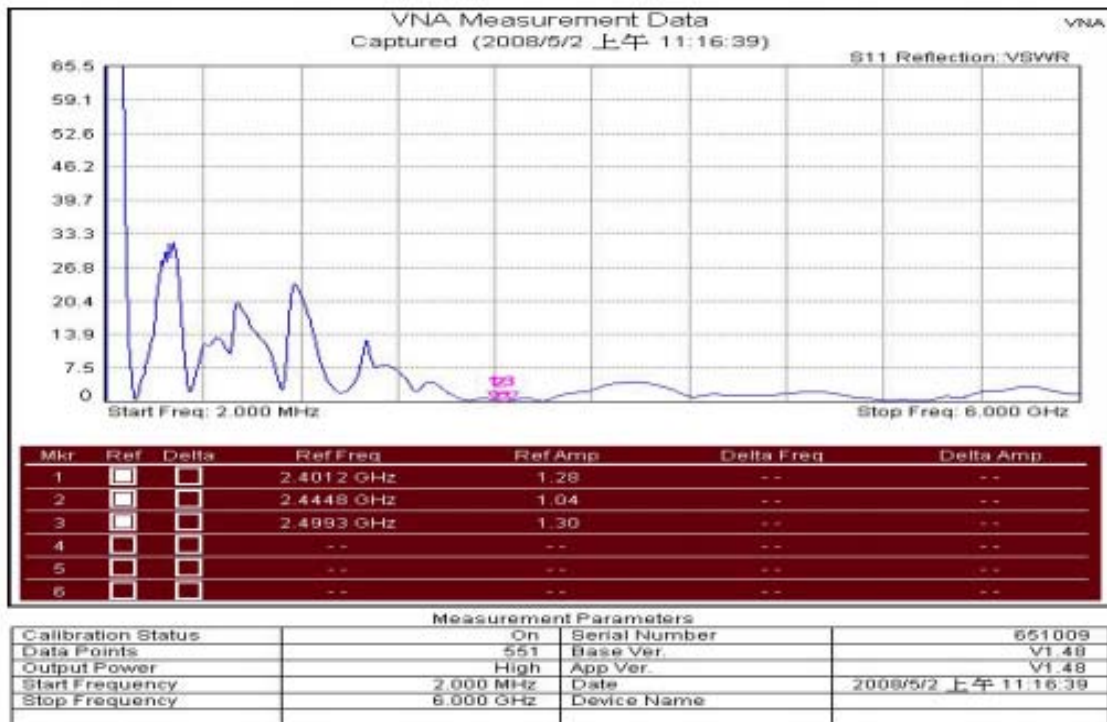
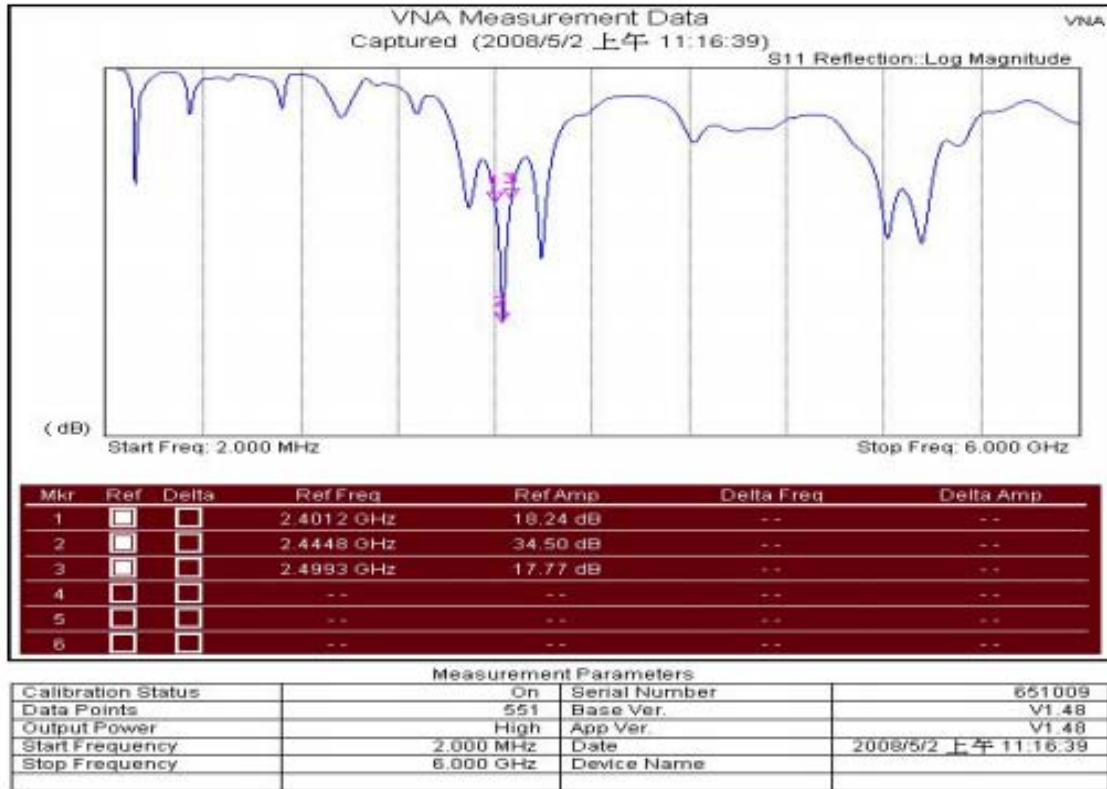


LM Technologies Ltd
 Unit 19 Spectrum House
 32-34 Gordon House Road
 London
 NW5 1LP, UK.
 Tel : +44 (0) 207 428 2647
 Fax: +44 (0) 870 112 7636



2.4G DIPOLE 9DBI ANTENNA FOR SMA MALE REVERSE POLARITY

Part Number: LM254



X-ON Electronics

Largest Supplier of Electrical and Electronic Components

Click to view similar products for [lm technologies](#) manufacturer:

Other Similar products are found below :

[LM506](#) [LM930-0635](#) [LM931-0552](#) [LM254](#) [530-0653](#) [530-0654](#) [LM817-0655](#) [LM780](#) [LM252](#) [LM910-0630](#) [LM253](#) [LM251](#) [LM822-1459](#)