

PLATING  
S=15u"/0.38um GOLD ON CONTACT AREA (NOTE 13) 100u"/2.54um TIN ON TAIL  
G=30u"/0.76um GOLD ON CONTACT AREA (NOTE 13) 100u"/2.54um TIN ON TAIL  
T=100u"/2.54um TIN ON CONTACT AREA & ON TAIL  
(SEE NOTE 8 & 12)  
F=2u"/0.05um GOLD ON CONTACT AREA & ON TAIL

LEAD STYLE	POST LGTH.
08	0.230/5.84
30	0.318/8.08

LEAD FREE PRODUCT NUMBER  
54201 - X XX XX - XXX LF

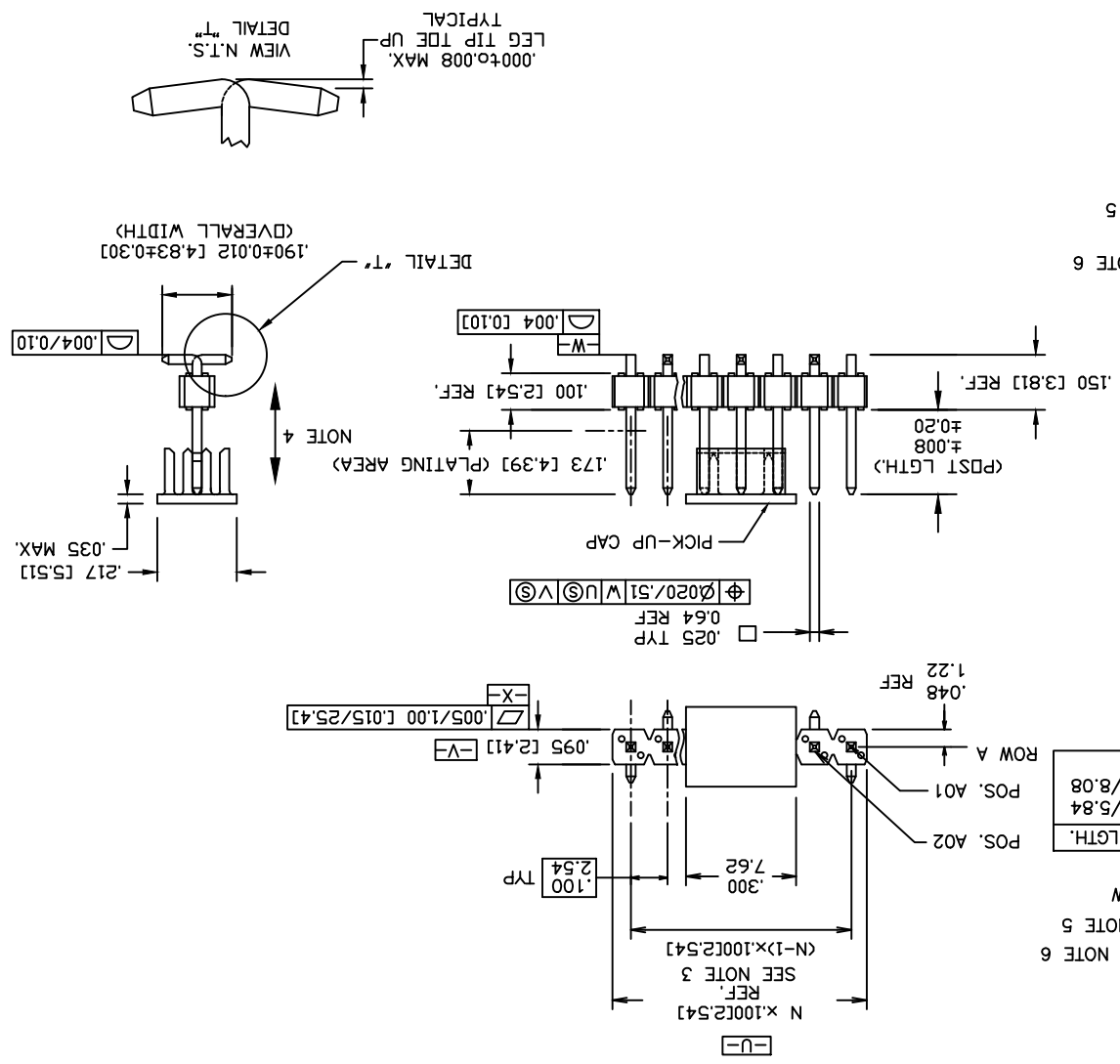
LEAD FREE NOTE 9 & 10  
POLARIZATION, SEE NOTE 6  
PACKAGING TYPE, NOTE 5  
POSITIONS PER ROW 02 TO 17

PLATING  
S=15u"/0.38um GOLD ON CONTACT AREA (NOTE 13) 100u"/2.54um TIN ON TAIL  
G=30u"/0.76um GOLD ON CONTACT AREA (NOTE 13) 100u"/2.54um TIN ON TAIL  
T=100u"/2.54um TIN ON CONTACT AREA & ON TAIL  
(SEE NOTE 8 & 12)  
F=2u"/0.05um GOLD ON CONTACT AREA & ON TAIL

LEAD STYLE	POST LGTH.
08	0.230/5.84
30	0.318/8.08

PRODUCT NUMBER  
54201 - X XX XX - XXX

POLARIZATION, SEE NOTE 6  
PACKAGING TYPE, NOTE 5  
POSITIONS PER ROW 02 TO 17

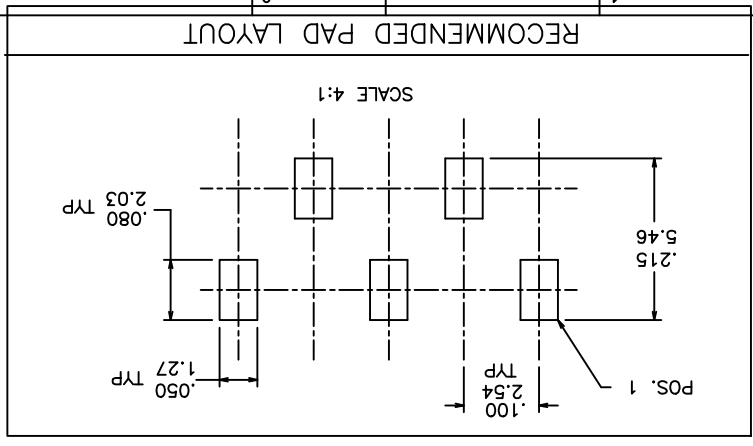


mat'l. code	SEE NOTES 1 & 2	ISO 1302	ISO 406	ISO 1101	projection	product family	BERGSTIK
ltf	ecn no / dr	date	tolerances unless otherwise specified			title	
S	EX-N-14294	DCS	2013-03-19	angles	linear	scale 1:1	
L	M07-0192	MHT	4/18/07	0±2	XXXXF.0020/XXXXF.005		
M	M08-0129	MHT	4/30/08	dr	D.INGRAM	05/11/99	
N	M08-0165	MHT	6/06/08	engr	H.SUNDRY	07/21/99	
P	M08-0237	MHT	8/25/08	chr	H.SUNDRY	07/21/99	
R	M08-0279	MHT	9/30/08	ppd	H.SUNDRY	07/21/99	
sheet	revision	S	S	sheet	index		

Product type: Product Customer Drawing  
Product no: 54201  
dwg no: sheet 1 of 3 size A3

SIZE	LEAD STYLE 08	LEAD STYLE 30
1X2	POST (0.230 [5.84])	POST (0.318 [8.08])
1X3	YES	NONE
1X4		
1X5		
1X6		
1X7		
1X8		
1X9		
1X10		
1X11		
1X12		
1X13		
1X14		
1X15		
1X16		
1X17	YES	
1X18	NONE	
1X19	NONE	
1X20	NONE	

TAPE AND REEL PACKAGING



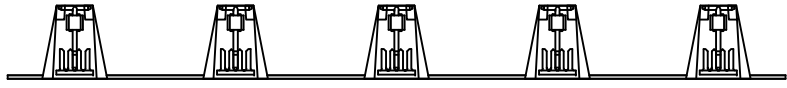
- NOTES:
- HOUSING MAT'L: HIGH TEMPERATURE THERMOPLASTIC. UL94V-0 COLOR: BLACK
  - PIN MATERIAL: PHOSPHOR-BRONZE
  - TO DETERMINE DIMENSIONS:
  - N = NUMBER OF POSITIONS PER ROW.  
EXAMPLE: 10 POS., N x .100/2.54=1.00/25.4  
ZLBS/0.9KG MIN. PIN RETENTION IN EITHER DIRECTION.
  - PACKAGING: - = POLY BAGS  
P = TUBES WITH PICKUP CAPS.  
A = TAPE AND REEL WITH PICKUP CAPS.

- MINERAL FILLED LCP FLAME RETARDENT PER UL-94V-0. COLOR: BLACK.
- FOR POLARIZATION, SPECIFY POSITION NUMBER!!(e.g.,A03=ROW A POS. 3) TO OMIT PIN. IF THIS FEATURE IS NOT APPLICABLE, OMIT FROM PROD. NO.. PRODUCT MANAGEMENT APPROVAL IS REQUIRED PRIOR TO THE RELEASE OR SALE OF POLARIZED PRODUCTS.
- UNDERPLATING: 50µ"/1.27µm NI.
- PIN TIPS ON Sn PLATED PRODUCT MAY HAVE BARE METAL ON TOW SIDES, BOTH ENDS.
- PART NUMBERS WITH "LF" AT THE END ARE LEAD FREE.
- THIS PRODUCT MEETS EUROPEAN UNION DIRECTIVES AND OTHER COUNTRY REGULATION AS DESCRIBED IN GS-22-008.
- THE HOUSING WILL WITHSTAND EXPOSURE TO 260°C PEAK TEMPERATURE FOR 20 SECONDS IN A CONNECTION, INFRARED OR VAPOR PHASE REFLOW OVEN. SEE APPLICATION NOTES/PROCEDURES IF THEY ARE AVAILABLE.
- "THIS PRODUCT HAS 100% PURE TIN PLATING IN THE INTERFACE AND HAS NOT BEEN TESTED FOR WHISKER GROWTH IN ALL INTERCONNECT ENVIRONMENTS."
- PLATING OPTIONS:  
MAY BE EITHER GOLD OR GXT PLATED AT MANUFACTURER'S OPTION.

mat'l. code	surface	tolerance	projection	product family	BERGSTIK
ltf	ecn no	dr	date	tolerances unless otherwise specified	XX±.01/XX±.03
	angles	linear	XX±.005/XX±0.13	INCH/MM	
	0±.2	XX±.0020/XX±.005	scale 1:1		
	dr	D.INGRAM	05/11/99	dwg no	54201
	engr	H.SUNDRY	07/21/99	type	Product Customer Drawing
	chr	H.SUNDRY	07/21/99	sheet 2 of 3 size	A3
	appd	H.SUNDRY	07/21/99		
sheet	revision				
index	sheet				

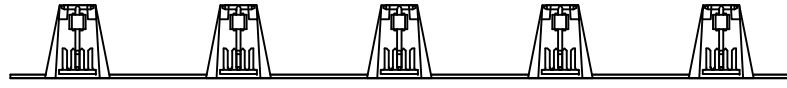
mat'l. code	surface	tolerance	ISO 1302	ISO 406	ISO 1101
ltr ecn no	dr	date	tolerances unless otherwise specified		
angles	linear	XXX±.01/XXX.03	XXX±.005/XXX±0.13	XXX±.020/XXX±0.05	scale 1:1
0±.2°	D.INGRAM	05/11/99	dr	H.SUNDRY	07/21/99
	engr	H.SUNDRY	07/21/99	chr	H.SUNDRY
	appd	H.SUNDRY	07/21/99		
sheet revision					
index sheet					
product family	BERGSTIK				
projection					
product type	Product Customer Drawing				
dwg no	54201				
sheet 3 of 3 size	A3				
title	.100 UNSHROUDED HDR. S/R VERT. SURF. MNT.				

UN-REELING DIRECTION OF FEED

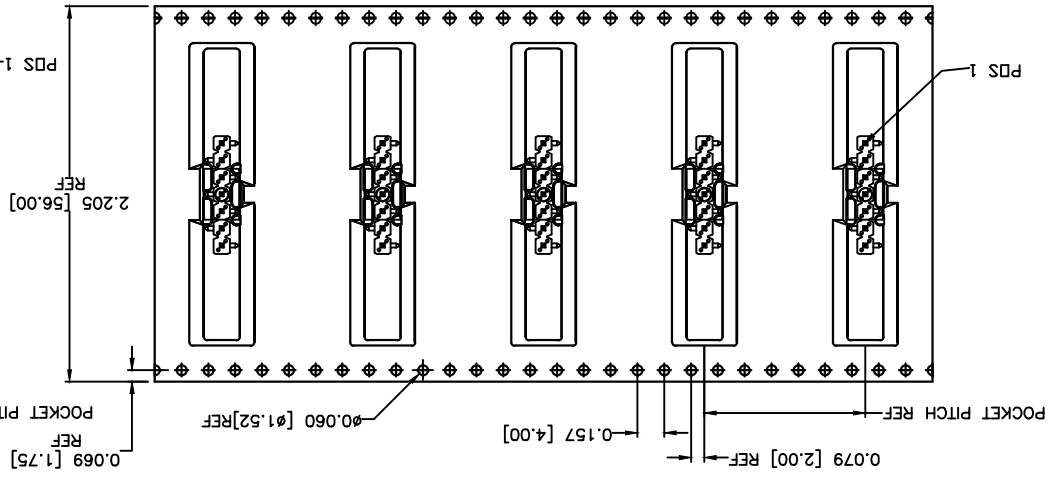
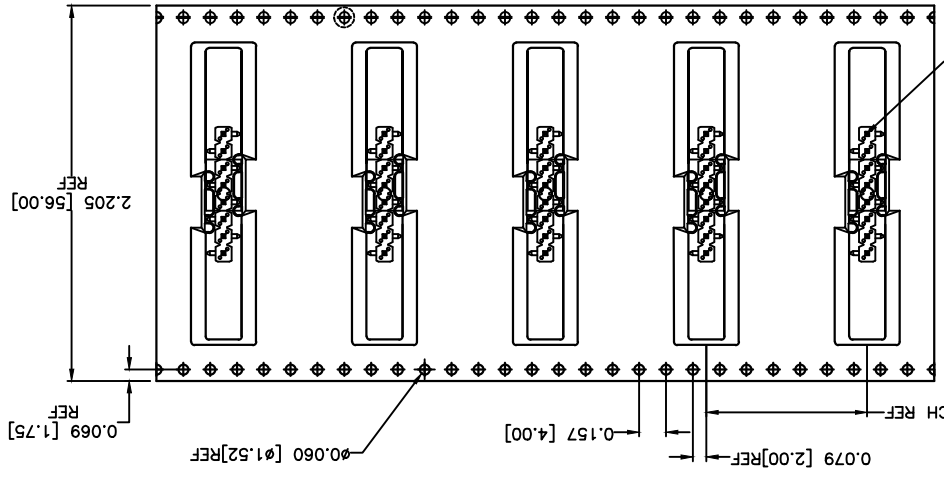


CARRIER FOR ODD NUMBERS OF ROWS

UN-REELING DIRECTION OF FEED



CARRIER FOR EVEN NUMBERS OF ROWS



## X-ON Electronics

Largest Supplier of Electrical and Electronic Components

*Click to view similar products for [Headers & Wire Housings](#) category:*

*Click to view products by [FCT Electronics](#) manufacturer:*

Other Similar products are found below :

[95000-104TRLF](#) [10135584-644402LF](#) [DF62W-EP2022PCA](#) [95000-106TRLF](#) [DF62W-2022SCA](#) [DF62W-EP2022PC](#) [2203348](#) [DF62W-2022SC](#) [1084018](#) [1029039](#) [1084017](#) [802-10-012-10-002000](#) [1112640](#) [1112639](#) [891-007-9SS-BST1T](#) [000-34000](#) [0008550134](#) [0009482033](#) [0009507031](#) [57102-F02-18ULF](#) [57102-S06-03LF](#) [57202-S52-04LF](#) [PCN6-15S-2.5E](#) [0039019024](#) [58102-G61-06LF](#) [582553-1](#) [0009485154](#) [0009508121](#) [009176003701906](#) [0022285053](#) [0050291907](#) [018731A](#) [LY20-4P-DT1-P1E-BR](#) [02.125.8002.8](#) [60101931](#) [60598-1 \(Cut Strip\)](#) [M1625-3R/100](#) [61062-3](#) [61082-181009](#) [CSU011177004](#) [636-1427](#) [638009-1](#) [641938-9](#) [641991-4](#) [644168-1](#) [644827-2](#) [647662-1](#) [65039-019ELF](#) [65692-001LF](#) [65781-018](#)