



### Features:

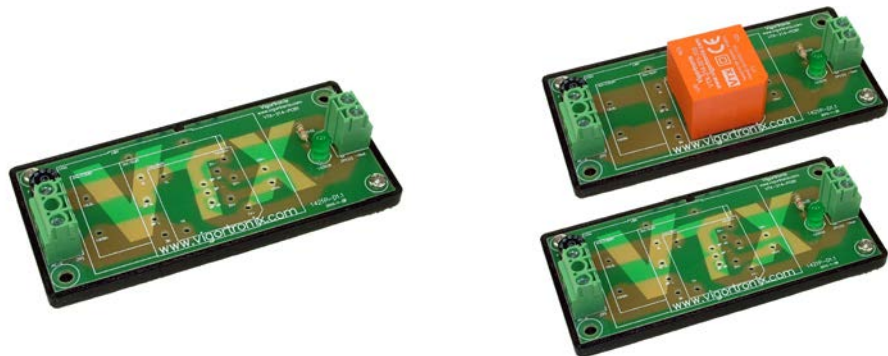
- 2W Low Profile <14.5mm Height
- Compact Size - PCB Mount
- Single Output - Regulated
- Wide Input Range: 90 - 277VAC , 47 - 63Hz
- Output Range: 3.3V - 48VDC
- Low Standby Power <0.3W
- Low Ripple & Noise
- Fully Isolated Pri - Sec >4200Vrms
- Insulation: Class II
- Materials: UL94-V0
- Safety: EN61558, EN60950, CE

Part Number	Power Rating Watts	Output Voltage (VDC)	Output Current (mA)	Ambient Temp. (°C)	Efficiency Typical	Voltage Range
VTX-214-002-103	2	3.3	600	70	>60%	90 - 277VAC
VTX-214-002-105	2	5	400			
VTX-214-002-106	2	6	333			
VTX-214-002-107	2	7.5	266			
VTX-214-002-108	2	8	250			
VTX-214-002-109	2	9	222			
VTX-214-002-110	2	10	200			
VTX-214-002-112	2	12	166			
VTX-214-002-115	2	15	133			
VTX-214-002-118	2	18	111			
VTX-214-002-124	2	24	83			
VTX-214-002-148	2	48	42			

**Note: Other output voltages are available upon request.**

Optional Universal PCB mounting kit.

Part Number:  
VTX-214-PCB1

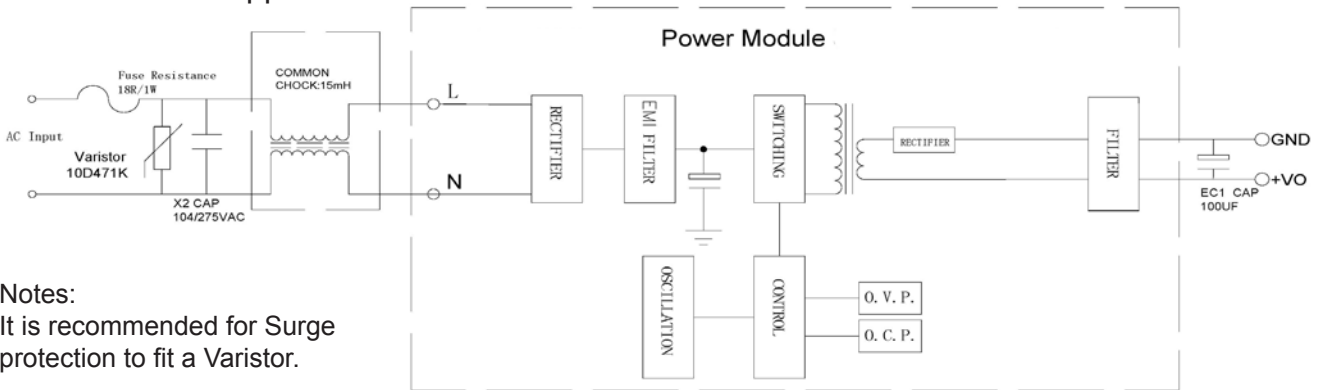


Please contact Vigortronix for any enquiries. Products can be altered to suit custom requirements.  
The information contained in this document is subject to change without notice.

Model: 1 - 2 Watt		Specification
<b>INPUT</b>  Pin 4: L Pin 3: N	Voltage Range	90 ~ 277VAC / 47 ~ 63Hz
	Current	100mA Max (100VAC) / 70mA Max (240VAC)
	Inrush Current	15A Max (100VAC) / 25A Max (240VAC)
	No Load power	0.3W Max
	Leakage Current	0.3 mA Max
<b>OUTPUT</b>  Pin 2: DC+ Pin 1: GND	Voltage Accuracy	<5%
	Ripple	<50mV Max (Vp~p)
	Noise	<1% Vout Max (Vp~p)
	Efficiency @ 230VAC	>60%
	Minimum Load	0
<b>Protection</b>	Over Power	Hiccup mode
	Over Voltage	Hiccup mode
	Short Circuit Protection	Hiccup mode
<b>Dielectric Isolation</b>	Input to Output	3600Vrms, 5mA 1 Min (4200VAC 2sec)
<b>Environment</b>	Operating Temperature	-25°C ~ +70°C (See Derating Curve)
	Storage Temperature	-40°C ~ +105°C
	<b>MTBF</b>	>300,000Hrs @ 25°C (MIL-HDBK-217F)
	Weight	18g
<b>Safety</b>	Agency Approval	Compliance with IEC60950-1, EN60950-1, EN61558-1, EN61558-2-6, EN61558-2-17
<b>EMC</b>	EMI	Compliance with EN55022 Class B
	EMS	Compliance with EN55024, EN55014-1, EN55014-2, EN61000-3-2 Class A, EN61000-3-3

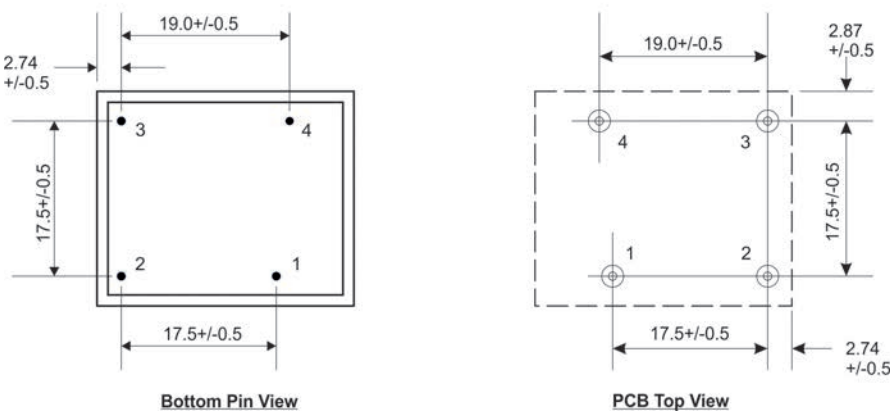
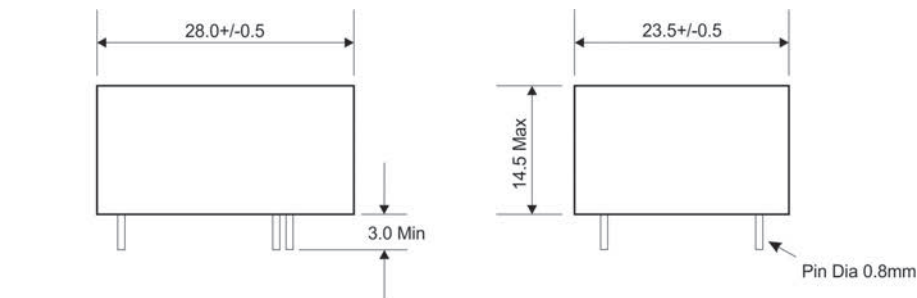
Please contact Vigortronix for any enquiries. Products can be altered to suit custom requirements.  
 The information contained in this document is subject to change without notice.

## Recommended Application Schematic for EMC

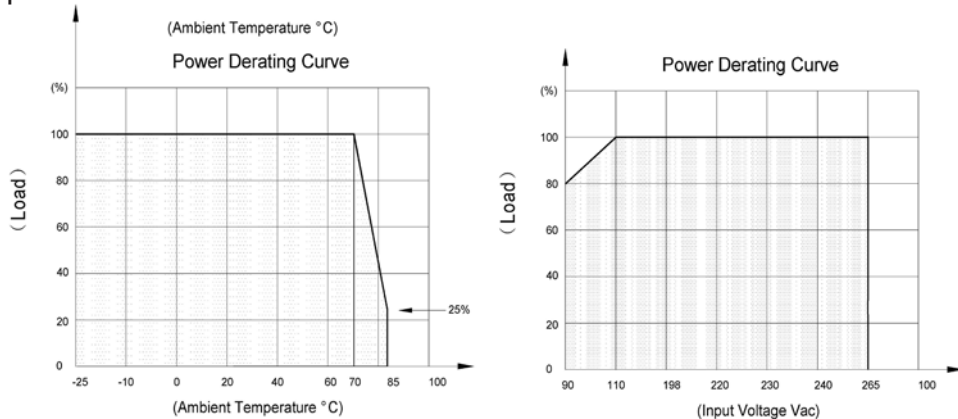


**Notes:**  
It is recommended for Surge protection to fit a Varistor.

## Dimensions:



## Derating Graph:



Unit weight: 18g

Please contact Vigortronix for any enquiries. Products can be altered to suit custom requirements.  
 The information contained in this document is subject to change without notice.

## X-ON Electronics

Largest Supplier of Electrical and Electronic Components

*Click to view similar products for [vigortronix](#) manufacturer:*

Other Similar products are found below :

[VTX-214-001-106](#) [VTX-214-010-209](#) [VTX-214-010-212](#) [VTX-214-005-0524](#) [VTX-214-001-305](#) [VTX-146-015-225](#) [VTX-146-100-212](#)  
[VTX-146-120-218](#) [VTX-214-006-106](#) [VTX-214-001-124](#) [VTX-214-003-306](#) [VTX-214-0005-107](#) [VTX-121-3023-218](#) [VTX-146-060-215](#)  
[VTX-146-100-224](#) [VTX-146-625-225](#) [VTX-214-020-124](#) [VTX-146-100-218](#) [VTX-146-300-230](#) [VTX-101-003](#) [VTX-214-005-0312](#) [VTX-](#)  
[214-001-306](#) [VTX-214-001-318](#) [VTX-214-001-324](#) [VTX-214-003-315](#) [VTX-102-000](#) [VTX-214-001-312](#) [VTX-121-3015-412](#) [VTX-120-](#)  
[5412-406](#) [VTX-214-005-015](#) [VTX-214-003-109](#) [VTX-131-001](#) [VTX-214-002-305](#) [VTX-146-500-240](#) [VTX-146-160-230](#) [VTX-146-500-230](#)  
[VTX-214-005-424](#) [VTX-121-3023-418](#) [VTX-214-002-118](#) [VTX-214-001-309](#) [VTX-146-050-218](#) [VTX-214-003-106](#) [VTX-120-006-509](#)  
[VTX-214-005-0324](#) [VTX-214-002-312](#) [VTX-214-001-312X](#) [VTX-214-010-206](#) [VTX-214-002-107](#) [VTX-214-002-106](#) [VTX-214-001-303](#)