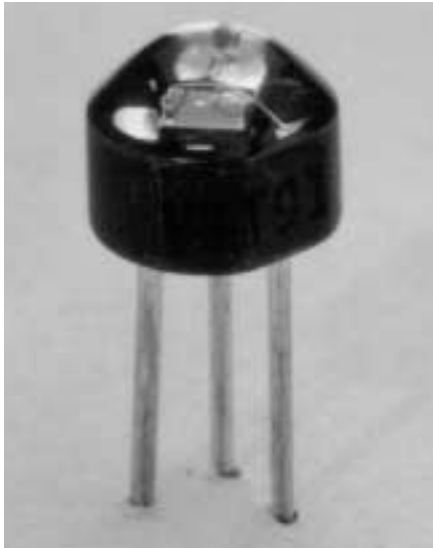


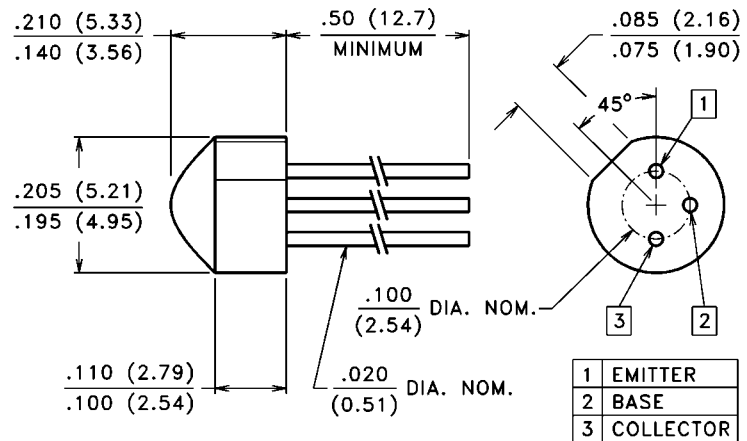
# .040" NPN Phototransistors

Epoxy Lensed TO-106 Ceramic Package

# VTT9102, 9103



## PACKAGE DIMENSIONS inch (mm)



CASE 9 TO-106 (LENSED)  
CHIP TYPE: 40T

## PRODUCT DESCRIPTION

A medium area high sensitivity NPN silicon phototransistor in a recessed TO-106 ceramic package. The chip is protected with a lens of clear epoxy. The base connection is brought out allowing conventional transistor biasing. These devices are spectrally matched to any of PerkinElmer IREDS.

## ABSOLUTE MAXIMUM RATINGS ■

(@ 25°C unless otherwise noted)

Maximum Temperatures	
Storage Temperature:	-20°C to 70°C
Operating Temperature:	-20°C to 70°C
Continuous Power Dissipation:	100 mW
Derate above 30°C:	2.5 mW/°C
Maximum Current:	50 mA
Lead Soldering Temperature:	260°C
	(1.6 mm from case, 5 sec. max.)

## ELECTRO-OPTICAL CHARACTERISTICS @ 25°C (See also typical curves, pages 91-92)

Part Number	Light Current		Dark Current		Collector Breakdown	Emitter Breakdown	Saturation Voltage	Rise/Fall Time	Angular Response $\theta_{1/2}$	
	$I_C$		$I_{CEO}$		$V_{BR(CEO)}$	$V_{BR(ECO)}$	$V_{CE(SAT)}$	$t_R/t_F$		
	mA		H = 0		$I_C = 100 \mu A$ H = 0	$I_E = 100 \mu A$ H = 0	$I_C = 1.0 \text{ mA}$ H = 400 fc	$I_C = 1.0 \text{ mA}$ $R_L = 100 \Omega$		
	Min.	Max.	$H = 100 \text{ fc (mW/cm}^2\text{)}$ $V_{CE} = 5.0 \text{ V}$		(nA) Max.	$V_{CE}$ (Volts)	Volts, Min.	Volts, Min.		Volts, Max.
VTT9102	6.0	—	100 (5)	100	5	30	4.0	0.55	6.0	$\pm 42^\circ$
VTT9103	13.0	—	100 (5)	100	5	30	4.0	0.55	10.0	$\pm 42^\circ$

■ Refer to General Product Notes, page 2.

## **X-ON Electronics**

Largest Supplier of Electrical and Electronic Components

*Click to view similar products for [excelitas](#) manufacturer:*

Other Similar products are found below :

[PYQ1048](#) [LHI968](#) [PYQ1348](#) [LHI874](#) [VTD205H](#) [VTB9413BH](#) [VTT1225H](#) [LHI944](#) [LHI1128](#) [VTB8441BH](#) [LHI 878](#) [VTE3324LAH](#)  
[VTP1220FBH](#) [VTT7125H](#) [VTB6061H](#) [VTE7173H](#) [VTE1295H](#) [VTB9412BH](#) [VTB1013H](#) [VTP1232FH](#) [VTE1291W-2H](#) [VTP4085H](#)  
[VTE1291-2H](#) [VTP8651H](#) [VTD206KH](#) [VTD34FH](#) [VTD205KH](#) [VTB5041BH](#) [VTE1163H](#) [VTB5051JH](#) [VTS3082H](#) [VTB5051H](#)