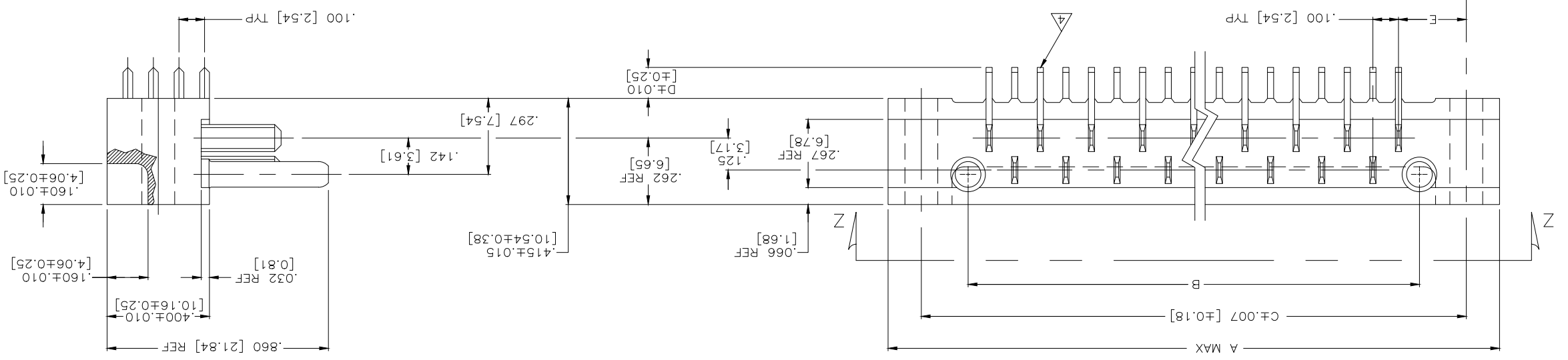
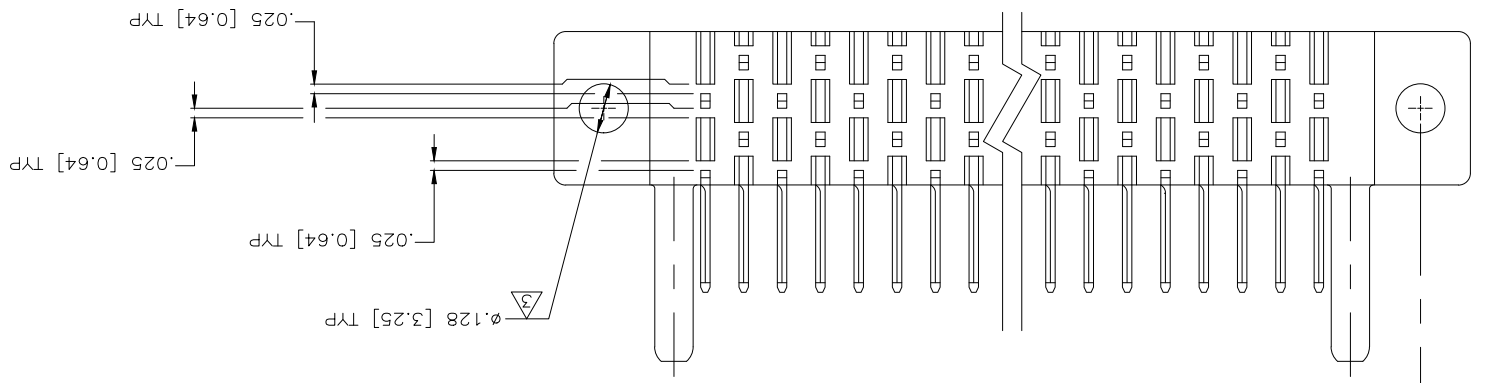
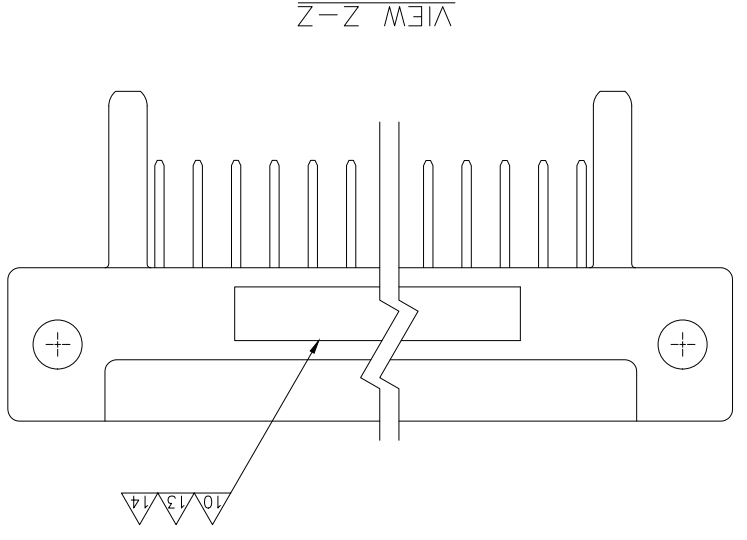
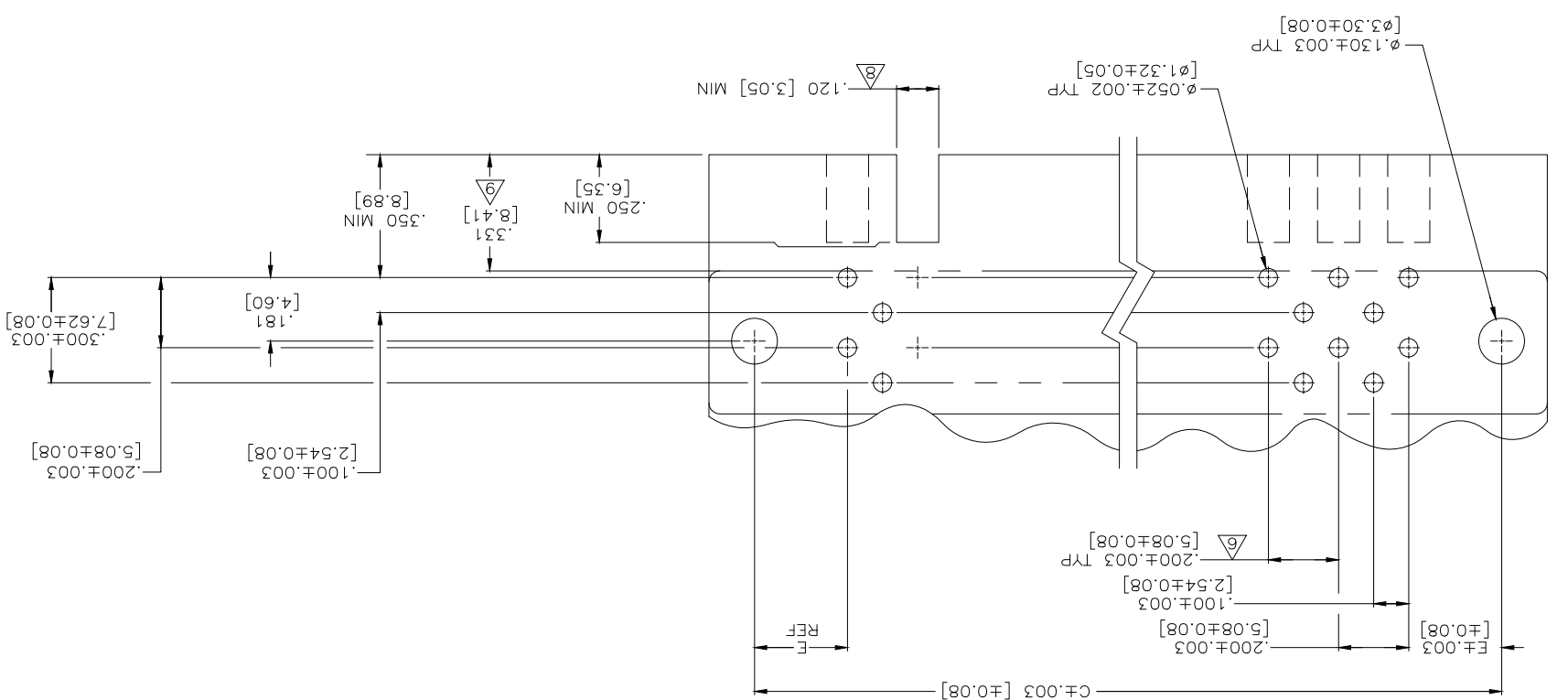


THIS DRAWING IS A CONTROLLED DOCUMENT. DATE: 20JUN2015 DRAWN BY: RAJGAHV SATISH		TE Connectivity	
DESIGNER: CHARLES THOMAS DATE: 20JUN2015		CUSTOMER DRAWING NO: 00779582152	
PRODUCT SPEC: ASSEMBLY, AMP BLADE TAB HOUSING		SCALE: 4:1	
DIMENSIONS UNLESS OTHERWISE SPECIFIED:		SHEET 1 OF 3	
TOLERANCES UNLESS OTHERWISE SPECIFIED:		REV: AW	
FINISH:			
1 P.L.C. ± .005 [0.13]			
2 P.L.C. ± .005 [0.13]			
3 P.L.C. ± .005 [0.13]			
4 P.L.C. ± .005 [0.13]			
APPLICATION SPEC:			
WEIGHT:			
CUSTOMER DRAWING			

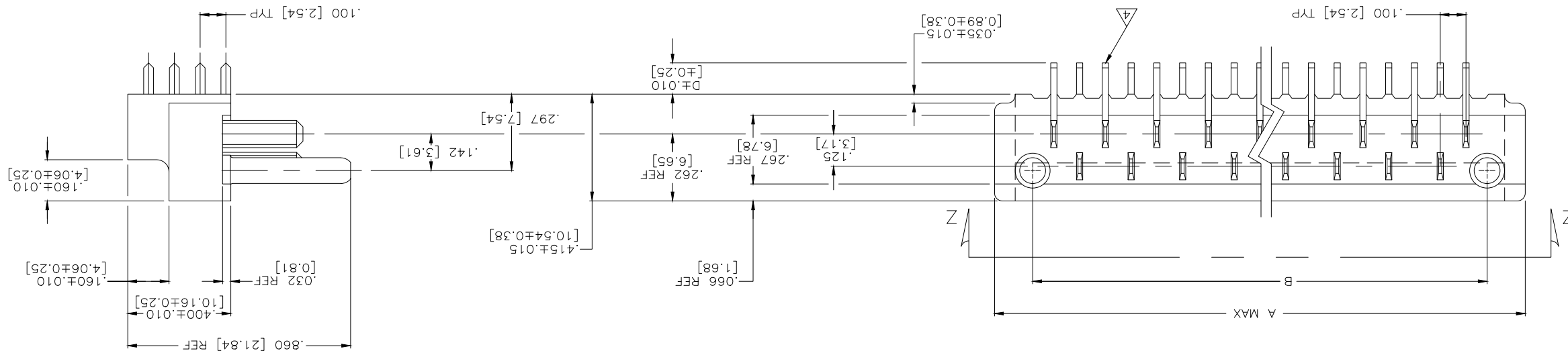
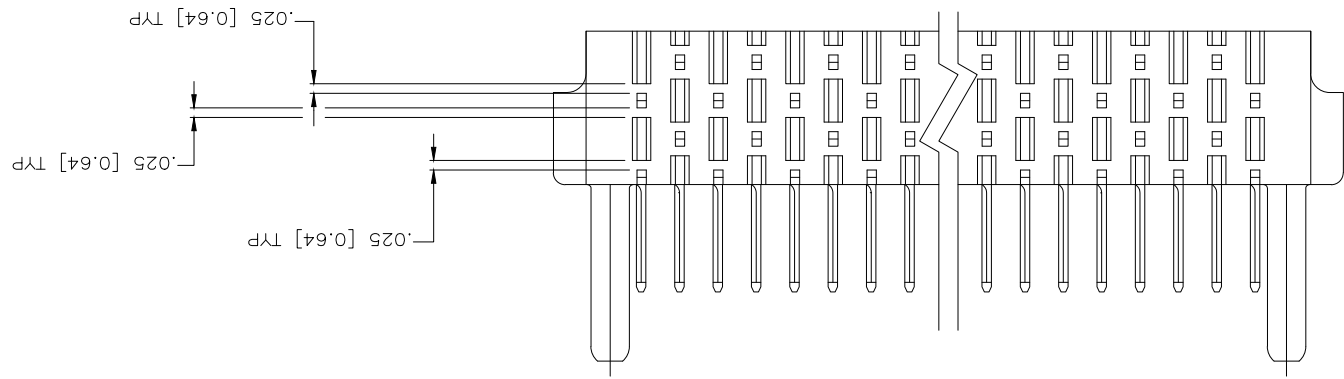
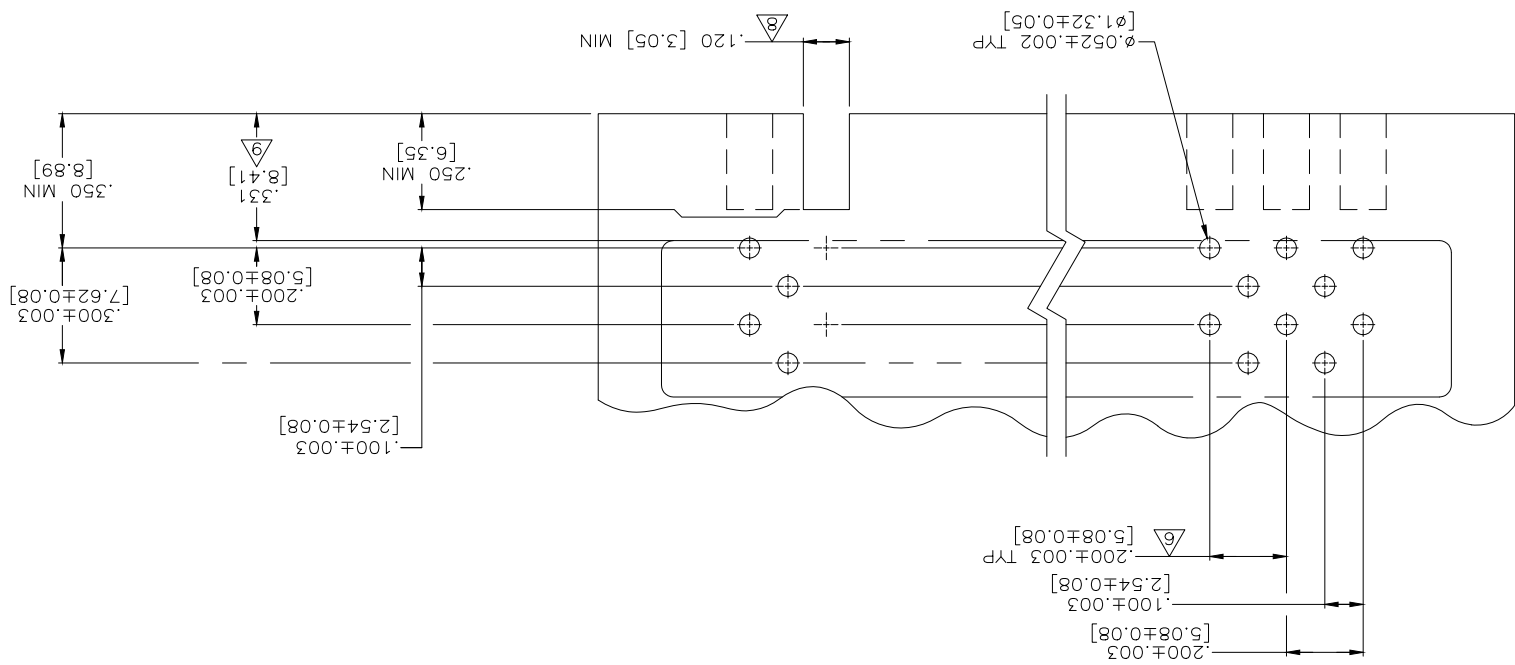
RECOMMENDED P.C. BOARD LAYOUT



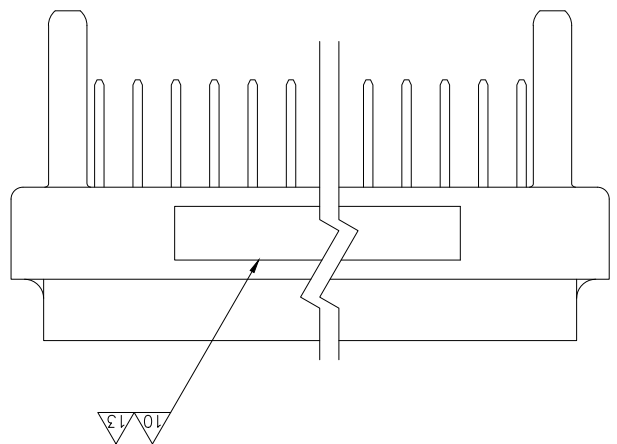
REV	DATE	DESCRIPTION	BY	CHKD
AW	20JUN2015	REVISED PER ECO-15-008962	AW	RS
RS				CT

THIS DRAWING IS UNPUBLISHED.
ALL RIGHTS RESERVED.
RELEASED FOR PUBLICATION.
BY: - - - - -

RECOMMENDED P.C. BOARD LAYOUT



VIEW Z-Z



THIS DRAWING IS A CONTROLLED DOCUMENT.		DWG: RAGHAV SATISH, 30JUN2015	
DESIGNED BY: CHARLES THOMAS, 30JUN2015		CHECKED BY: CHARLES THOMAS, 30JUN2015	
PRODUCT SPEC: ASSEMBLY, AMP BLADE TAB HOUSING		PART NO: 00779-582152	
CYCLE CODE: DRAWING NO: 00779-582152		SCALE: 4:1	
RESTRICTED TO: ---		SHEET 2 OF 3	
REV: ---		REV: ---	

DF	HO	DATE	DATE
---	---	---	---
---	---	---	---

X-ON Electronics

Largest Supplier of Electrical and Electronic Components

Click to view similar products for [Standard Card Edge Connectors](#) category:

Click to view products by [TE Connectivity](#) manufacturer:

Other Similar products are found below :

[6565204-6](#) [PKC-156](#) [1437274-4](#) [147889-1](#) [1489165-4](#) [EBT156-12B1X](#) [EBT15622B2X](#) [EBT156-22R2W](#) [1-582587-1](#) [1-582589-1](#) [2-6437275-9](#) [284-0102-12100](#) [306022901000000](#) [307-012-502-202](#) [307-024-526-201](#) [307-056-520-300](#) [307-080-526-208](#) [1926088-2](#) [245-062-520-350](#) [287-0032-12101](#) [306-010-500-112](#) [306-028-525-102](#) [306-240-318](#) [307-036-502-202](#) [307-036-521-301](#) [307-072-526-202](#) [345-060-559-303](#) [368-004-520-201](#) [392-008-559-201](#) [534671-1](#) [5-530501-5](#) [341-240-317](#) [345-029-520-300](#) [345-030-500-301](#) [345-044-500-300](#) [345-220-058](#) [346-240-318](#) [387-012-523-300](#) [395-044-520-300](#) [395-100-524-300](#) [50-12B-10](#) [50-6SN-5](#) [09-07-2032](#) [10035388-106LF](#) [10035388-802LF](#) [10115859-011LF](#) [10122859-009LF](#) [101269333204245CLF](#) [10127905-B04B24BLF](#) [530555-1](#)