



**NORGREN
MARTONAIR**

04 0156 00

- Wide pressure adjustment range
- Simple installation
- Can be adjusted in situ
- Robust construction
- Can be wired for normally closed or normally open operation

Technical Data

Medium:

Compressed air, filtered, lubricated and non-lubricated

Operation:

Pressure switch, adjustable

Mounting:

Holes in switch casing

Port Size:

G $\frac{1}{8}$

Operating Pressure:

1 - 10 bar

Pressure Differential:

0,2 - 0,7 bar

Operating Temperature:

-10°C to +70°C

*Consult our Technical Service for use below +2°C

Switch Type:

Single pole double throw

Maximum current:

3A at 250V AC

2A at 30V DC

Maximum Cable Size:

Ø7 (nominal)

Protection Rating:

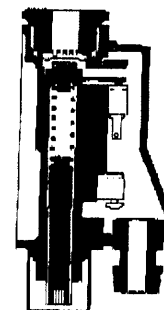
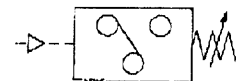
IP65

Terminal Connection

2mm push-on spade type connectors (provided loose)
Screwed earth terminal



 **MARTONAIR**



Materials

Diecast zinc alloy casing, nitrile rubber seals.

Ordering Information

To order, quote model number 04 0156 00



04 0156 00

General Information

Model	Type	Part Size	Weight (kg)	Spares Kit
04 0156 00	Normally closed or normally open	G 1/8	0,35	Not available

Warning

These products are intended for use in industrial compressed air systems only. Do not use these products where pressures and temperatures can exceed those listed under "Technical Data".

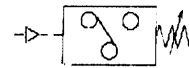
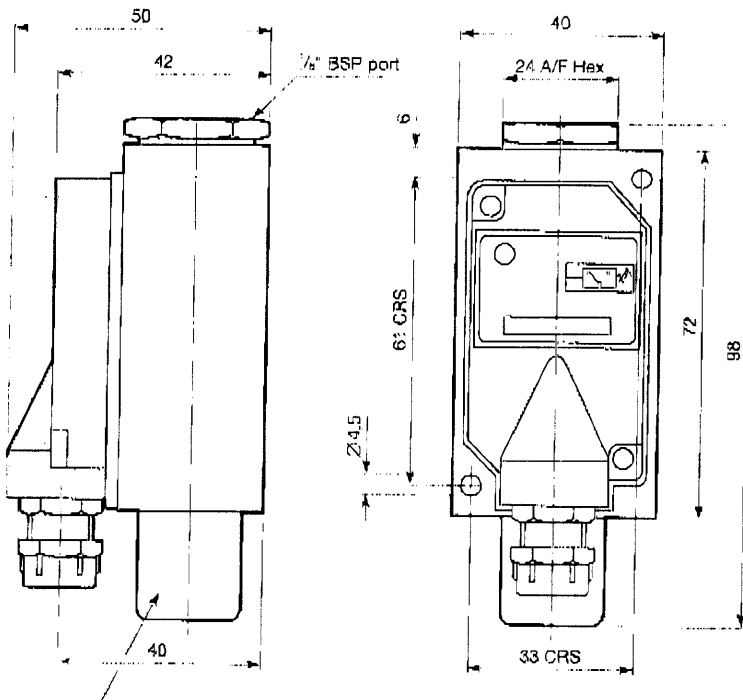
Before using these products with fluids other than those specified, for non-industrial applications, life-support systems, or other applications not within published specifications, consult NORGREN MARTONAIR.

Through misuse, age, or malfunction, components used in fluid power systems can fail in various modes. The system designer is warned to consider the failure modes of all component parts used in fluid power systems and to provide adequate safeguards to prevent personal injury or damage to equipment in the event of such failure.

System designers must provide a warning to end users in the system instructional manual if protection against a failure mode cannot be adequately provided.

System designers and end users are cautioned to review specific warnings found in instruction sheets packed and shipped with these products.

Adjustable Pressure Switch



Model Number: **04 0156 00**

The cover may be rotated through 180° for ease of installation.

Adjustment:

Remove cover. Use 3mm A/F key for adjustment and 13mm A/F spanner for locknut.

X-ON Electronics

Largest Supplier of Electrical and Electronic Components

Click to view similar products for [norgren](#) manufacturer:

Other Similar products are found below :

[C01250828](#) [B72G-2GK-AL3-RMN](#) [C01251038](#) [C01470828](#) [18-013-989](#) [18-013-990](#) [V61B413A-A213J](#) [100201000](#) [101250828](#) [CS6004010](#)
[F72G-2GN-AL3](#) [101470838](#) [8240400.9101.23050](#) [M/58308/01](#) [RT/57220/M/40](#) [18-015-013](#) [F74G-4GN-AP3](#) [8240400.9101.02400](#)
[C01251048](#) [RT/57212/M/50](#) [M/3314](#) [101250628](#) [101470818](#) [RT/57220/M/80](#) [150050038](#) [602112128](#) [V62C413A-A213J](#) [R07-200-RNKG](#)
[V60A513A-A213J](#) [101250818](#) [10K510618](#) [S/521](#) [101251028](#) [R72G-2GK-RMN](#) [C02260628](#) [C01250838](#) [101470628](#) [C00200400](#) [M/S2](#)
[C01470628](#) [R07-100-RNKG](#) [C01470838](#) [101250838](#) [101470618](#) [102250628](#) [18-015-989](#) [101470828](#) [18-025-003](#) [C01470618](#) [C02250605](#)