



Series 35-7 PCB Tainer

WEIGHT

.17g/cm (.015 oz/in)

MATERIALS AND FINISH

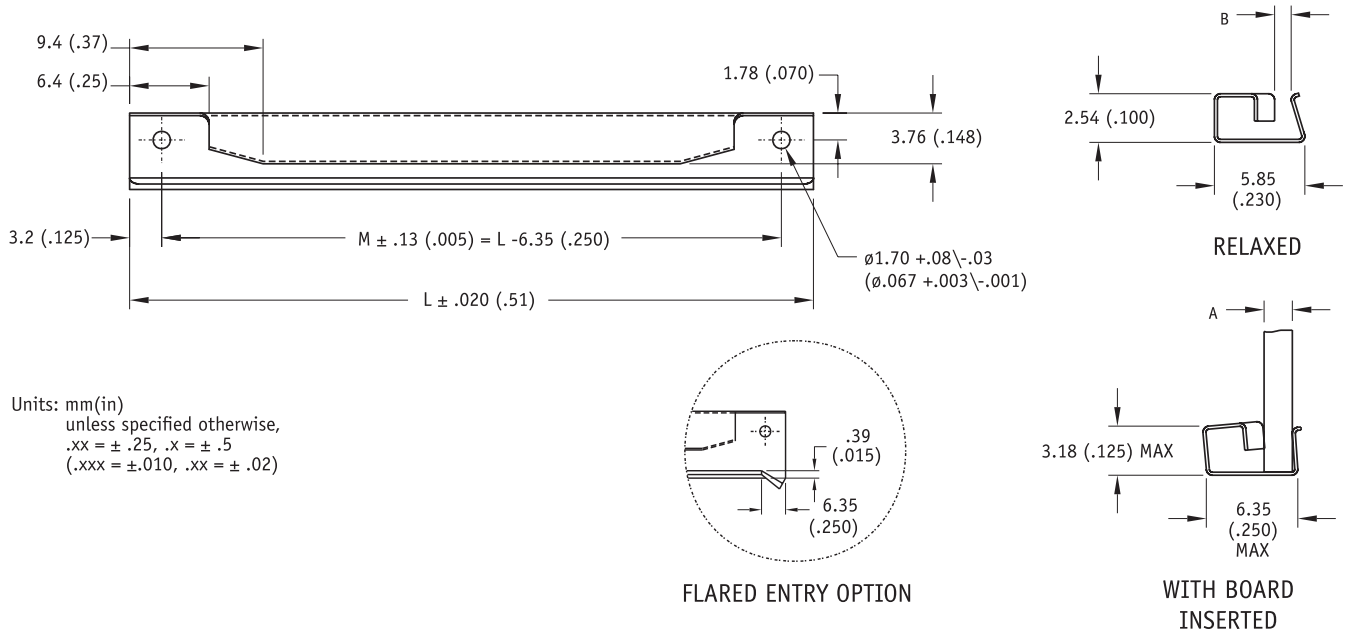
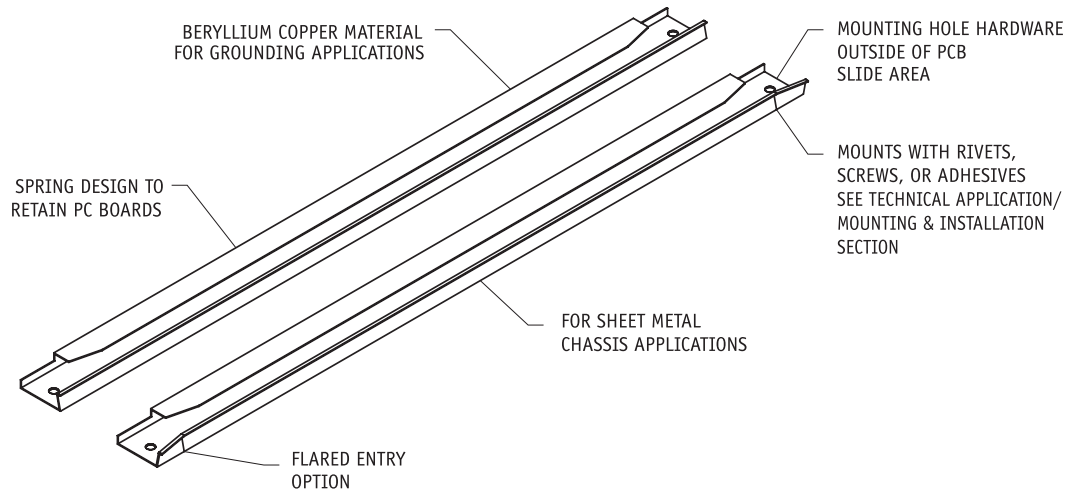
HOUSING

Material:

.005-in. (.13-mm) thick
Beryllium Copper per ASTM
B-194 or Stainless Steel per
MIL-S-5059

Finish:

See finish table on opposite
page



X-ON Electronics

Largest Supplier of Electrical and Electronic Components

Click to view similar products for [birtcher](#) manufacturer:

Other Similar products are found below :

[24SX-3-11-3-R](#) [127B-2-10-3-R](#) [340L-100S-12C](#) [340R-100S-10C](#) [CCK-KIT-ZD](#) [24BX-2-10-3-L](#) [24BX-2-10-3-R](#) [35-1B-2-6-3](#) [40-5-10-LF-LN](#) [71-3-L](#) [340L-100S-08C](#) [40-8-LF](#)