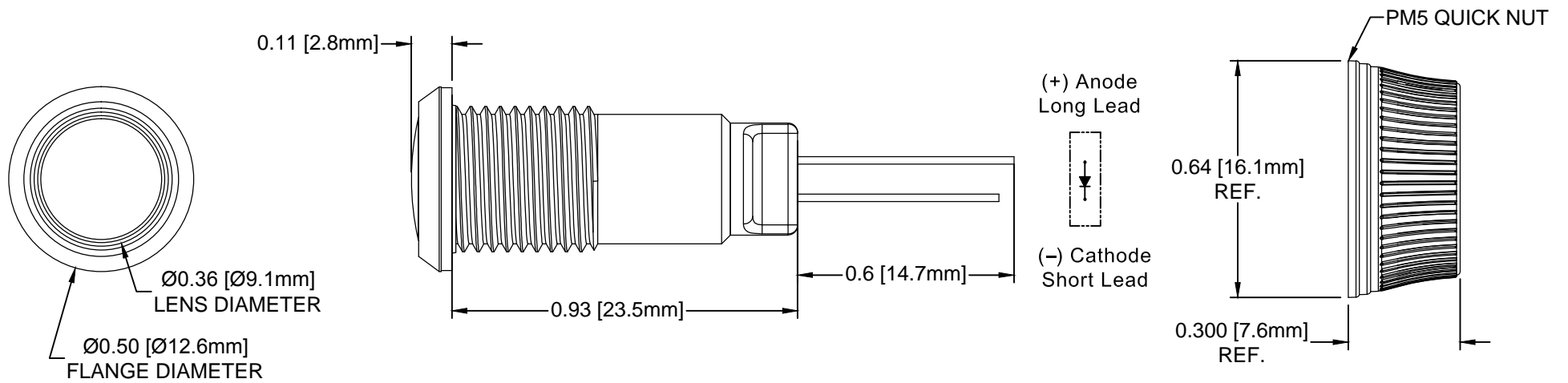
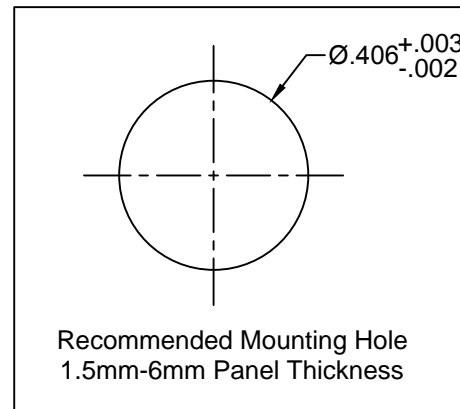
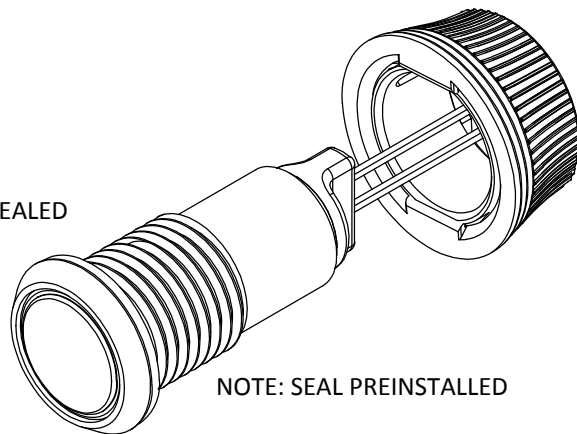


357 Series



NOTE: QUICK NUT
INSERT PREINSTALLED

NOTE: LENS SEALED
TO HOUSING



- NOTES:
1. ROHS COMPLIANT
 2. MOUNTING HARDWARE SHIPPED NON-ASSEMBLED

STANDARD TOLERANCE
(UNLESS OTHERWISE SPECIFIED)

DECIMALS	ANGULAR
.X ±.1	X° ± 1°
.XX ±.02	
.XXX ±.010	



MARL

MARL BUSINESS PARK, ULVERSTON, UK. LA12 9BN
Tel: +44 (0)1229 582 430. Web: www.leds.co.uk

TITLE:
Quick-Mount Panel Mount Indicator

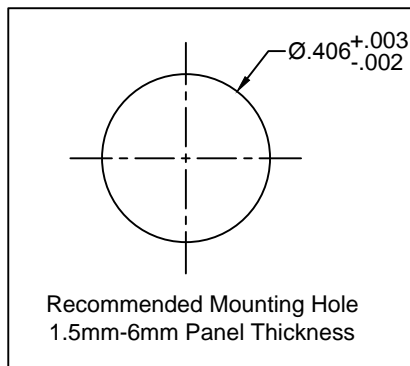
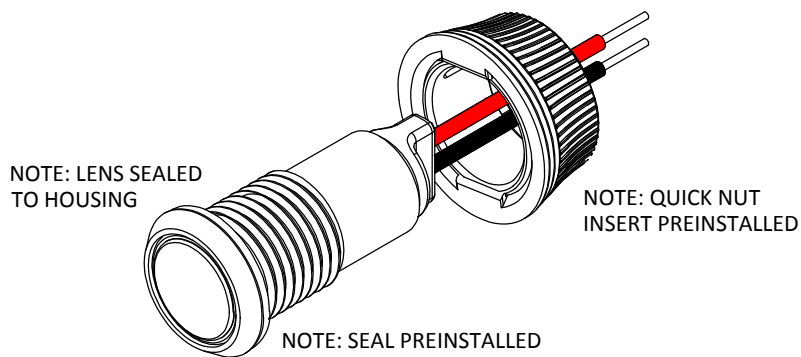
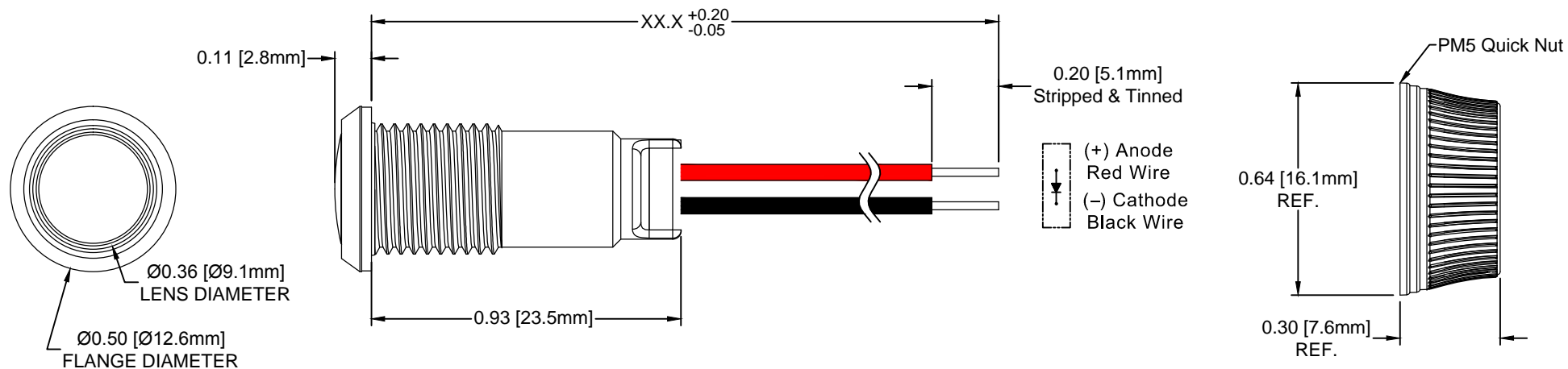
PART NO: 357 Series

SHEET # 1 OF 3

Issue 3

CAD GENERATED DOCUMENT, DO NOT MEASURE DRAWING.

357 Series (Flying Leads version)



Wire specification:
 Red - Anode
 Black - Cathode
 24AWG - UL1061

- NOTES:
1. ROHS COMPLIANT
 2. MOUNTING HARDWARE SHIPPED NON-ASSEMBLED



STANDARD TOLERANCE (UNLESS OTHERWISE SPECIFIED)		MARL	MARL BUSINESS PARK, ULVERSTON, UK. LA12 9BN Tel: +44 (0)1229 582 430. Web: www.leds.co.uk
DECIMALS	ANGULAR		
.X ± .1	X° ± 1°		
.XX ± .02		TITLE: Quick-Mount Panel Mount Indicator	
.XXX ± .010		PART NO: 357 Series	
Issue 3		SHEET # 2 OF 3	
CAD GENERATED DOCUMENT, DO NOT MEASURE DRAWING.			

Marl Part No.	LED Part Number	Peak Wave Length λ_p (nm)	Emitted Colour	Lens Appearance	Electro-Optical Data @ 20mA		Viewing Angle	Termination
					Typ Vf (VDC)	Lamp Iv (mcd)		
					TYP	TYP		
357-508-04	508	605	AMBER	WHITE DIFFUSED	2.0	9	120	PINS
357-508-04-40								12IN FLYING LEADS
357-520-04	520	430	BLUE	WHITE DIFFUSED	4.0	70	120	PINS
357-520-04-40								12IN FLYING LEADS
357-514-04	514	568	GREEN	WHITE DIFFUSED	2.1	11	120	PINS
357-514-04-40								12IN FLYING LEADS
357-505-04	505	645	RED	WHITE DIFFUSED	1.7	14	120	PINS
357-505-04-40								12IN FLYING LEADS
357-511-04	511	590	YELLOW	WHITE DIFFUSED	2.0	105	120	PINS
357-511-04-40								12IN FLYING LEADS

Marl Part No.	LED Part Number	Colour Temperature	Emitted Colour	Lens Appearance	Electro-Optical Data @ 20mA		Viewing Angle	Termination
					Typ Vf (VDC)	Lamp Iv (mcd)		
					TYP	TYP		
357-997-04	997	5000K	NEUTRAL WHITE	WHITE DIFFUSED	3.2	210	120	PINS
356-997-04-40								12IN FLYING LEADS

ABSOLUTE MAXIMUM RATINGS (Ta = 25°C)

MAXIMUM REVERSE VOLTAGE _____ 5V
 MAXIMUM POWER DISSIPATION _____ 150 mW
 OPERATING TEMPERATURE RANGE _____ -30°C ~ 85°C
 STORAGE TEMPERATURE _____ -40°C ~ 85°C

STANDARD TOLERANCE (UNLESS OTHERWISE SPECIFIED)		 MARL BUSINESS PARK, ULVERSTON, UK. LA12 9BN Tel: +44 (0)1229 582 430. Web: www.leds.co.uk
DECIMALS .X ± .1 .XX ± .02 .XXX ± .010	ANGULAR X° ± 1°	
		TITLE: Quick-Mount Panel Mount Indicator
Issue 3		PART NO: 357 Series
		SHEET # 3 OF 3
<small>CAD GENERATED DOCUMENT, DO NOT MEASURE DRAWING.</small>		

X-ON Electronics

Largest Supplier of Electrical and Electronic Components

Click to view similar products for [marl](#) manufacturer:

Other Similar products are found below :

[512-532-22](#) [512-532-23](#) [514-114-76](#) [661-508-64-40](#) [651-102-76](#) [671-066-75](#) [352-509-04](#) [352-505-04](#) [205-997-22-38](#) [524-521-21](#) [677-521-23-Y](#) [512-521-21](#) [671-064-75](#) [677-930-21-19](#) [209-521-23-38](#) [520-325-23](#) [651-114-21](#) [690-997-66](#) [508-930-22](#) [671-062-75](#) [525-095-21-50](#) [512-501-75](#) [531-532-63](#) [524-501-21](#) [514-111-75](#) [508-521-21](#) [520-324-23](#) [215-532-23-38](#) [671-063-23](#) [671-066-23](#) [215-532-76-38](#) [604-998-23](#) [662-303-04](#) [690-521-66](#) [671-064-23](#) [215-521-23-38](#) [677-501-22-R](#) [677-532-21-19](#) [698-532-63](#) [570-320-04-40](#) [514-105-22](#) [512-501-22](#) [570-314-04-40](#) [528-532-22](#) [528-521-22](#) [512-997-22](#) [660-320-64-40](#) [528-501-21](#) [671-290-22](#) [572-314-04](#)