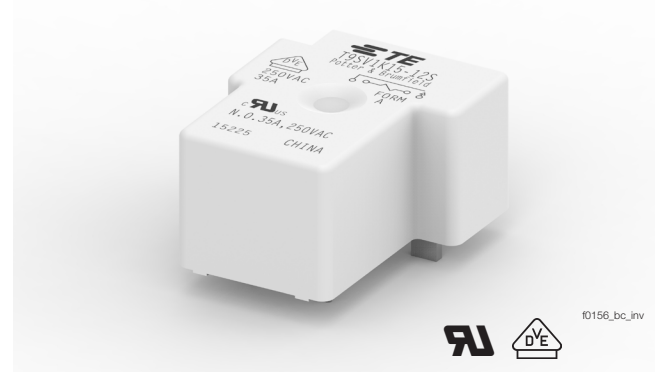


Power PCB Relay T9S Solar

- 1 pole 35A, 1 form A (NO) contact
- Contact gap >1.5mm (standard), >1.8mm (suffix S)
- 350mW hold power¹⁾
- Ambient temperature up to 85°C at 35A
- The appliance is able to meet VDE V 0126-1-1
- Product in accordance to IEC 60335-1
- EN61095: AC7a at 85°C



Typical applications
Photovoltaic inverter

Approvals

VDE 40030974, UL E58304
Technical data of approved types on request

Contact Data

Contact arrangement	1 form A (NO)
Contact gap	>1.5mm (standard), >1.8mm (suffix S)
Rated voltage	250VAC (1.8mm gap), 277VAC (1.5mm gap)
Rated current	35A ²⁾
Breaking capacity max.	8750 VA
Contact material	AgNi
Initial contact resistance	75mΩ max. at 1A 6VDC
Frequency of operation, with/without load	6/300min ⁻¹
Operate/release time max., incl bounce time	18/15ms

Contact ratings³⁾

Type	Contact	Load	Cycles
IEC 61810			
T9SV1K15-12	A (NO)	35A, 250VAC, cosφ=1, 85°C	30x10 ³
T9SV1K15-12S	A (NO)	35A, 250VAC, cosφ=1, 85°C	20x10 ³
UL 508			
T9SV1K15-12	A (NO)	35A, 277VAC, resistive, 85°C	30x10 ³
T9SV1K15-12S	A (NO)	35A, 250VAC, resistive, 85°C	20x10 ³
Mechanical endurance, DC coil		5x10 ⁵ operations	

Coil Data

Rated coil voltage	12VDC
Coil insulation system according UL	class F

Coil versions, DC coil

Coil code	Rated voltage VDC	Operate voltage VDC	Release voltage VDC	Coil resistance Ω±10%	Rated coil power W
12	12 ¹⁾	9.6	0.8	64±10%	2.25 / min. 0.35 hold

All figures are given for coil without pre-energization, at ambient temperature +23°C.
Other coil voltages on request.

Insulation Data

Initial dielectric strength	
between open contacts	2500V _{rms}
between contact and coil	4000V _{rms}
Initial surge withstand voltage	
between contact and coil	6kV
Clearance/creepage	
between contact and coil	3/4mm
Material group of insulation parts	III
Tracking index of relay base	PTI 325

Other Data

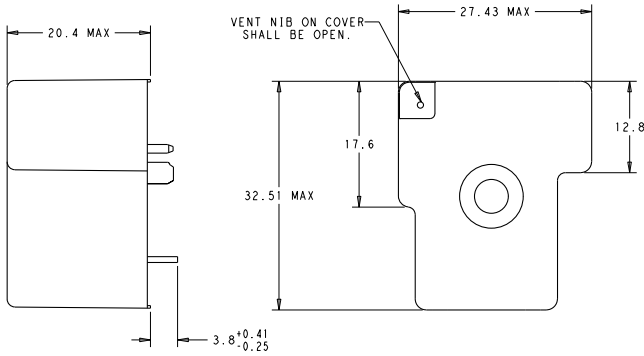
Material compliance: EU RoHS/ELV, China RoHS, REACH, Halogen content refer to the Product Compliance Support Center at www.te.com/customer-support/rohssupportcenter

Ambient temperature	-40 to +85°C ²⁾
Category of environmental protection	IEC 61810
	RTII - flux proof
Vibration resistance (functional)	10g
Shock resistance (functional)	10g
Shock resistance (destructive)	100g
Terminal type	PCB-THT
Mounting	see note ²⁾
Mounting distance	≥10mm
Weight	appr. 30g
Resistance to soldering heat THT	
IEC 60068-2-20	260°C/5s
Packaging unit	box/500 pcs.

- 1) After the energization time of 100ms with 12 VDC the coil requires a reduction of the coil voltage to 4.7...6.0 VDC.
- 2) The relay connections and wiring have to be designed with an adequate cross sections to ensure the current flow and heat dissipation.
- 3) Contact ratings with relay properly vented.

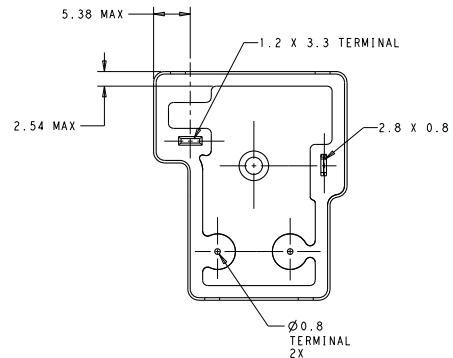
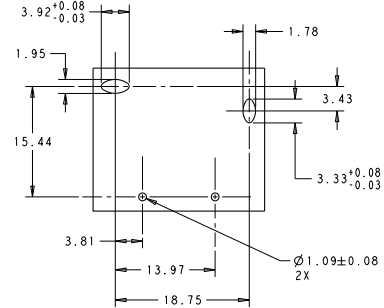
Power PCB Relay T9S Solar (Continued)

Dimensions

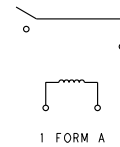


PCB layout / terminal assignment

Bottom view on solder pins



WIRING DIAGRAM (BOTTOM VIEW)



Notes

1) General tolerance

Diagram Dimension	Tolerance
< 1 mm	±0.1
1 ~ 3 mm	±0.2
> 3 mm	±0.3

2) Dimensions of the pins after tin soldering

- a) +0.4 for the width and the thickness
- b) +1.0 for the length

Product code	Version	Contact arrangement	Contact material	Contact gap	Coil	Part Number
T9SV1K15-12	PCB, flux tight	1 form A (NO) contact	AgNi	>1.5mm	12VDC	2027395-1
T9SV1K15-12S	PCB, flux tight	1 form A (NO) contact	AgNi	>1.8mm	12VDC	2027395-3

X-ON Electronics

Largest Supplier of Electrical and Electronic Components

Click to view similar products for [General Purpose Relays](#) category:

Click to view products by [TE Connectivity](#) manufacturer:

Other Similar products are found below :

[APF30318](#) [JVN1AF-4.5V-F](#) [PCN-105D3MHZ](#) [5JO-10000S-SIL](#) [5JO-1000CD-SIL](#) [5JO-400CD-SIL](#) [LY2S-AC220/240](#) [LYQ20DC12](#)
[6031007G](#) [6131406HQ](#) [6-1393099-3](#) [6-1393099-8](#) [6-1393122-4](#) [6-1393123-2](#) [6-1393767-1](#) [6-1393843-7](#) [6-1415012-1](#) [6-1419102-2](#) [6-](#)
[1423698-4](#) [6-1608051-6](#) [6-1608067-0](#) [6-1616170-6](#) [6-1616248-2](#) [6-1616282-3](#) [6-1616348-2](#) [6-1616350-1](#) [6-1616350-8](#) [6-1616358-7](#) [6-](#)
[1616359-9](#) [6-1616360-9](#) [6-1616931-6](#) [6-1617039-1](#) [6-1617052-1](#) [6-1617090-2](#) [6-1617090-5](#) [6-1617347-5](#) [6-1617353-3](#) [6-1617801-8](#) [6-](#)
[1617802-2](#) [6-1618107-9](#) [6-1618248-4](#) [M83536/1-027M](#) [CX-4014](#) [MAHC-5494](#) [MAVCD-5419-6](#) [703XCX-120A](#) [7-1393100-5](#) [7-1393111-7](#)
[7-1393144-5](#) [7-1393767-8](#)