



LED-6w /500mA

Constant Current LED Driver

Standards

Converter meets CE standards
 Pending approval by UL as a Class 2 recognized component
 File # E193999
 VDE and VDE EMC pending
 IP67

Available Versions

901006501- LED 6W DC 500mA (European version)
901006501U- LED 6W DC 500mA (US version)

Mechanical and Thermal

European Version:

Dimensions (mm)	45 x 45 x 25
Weight	92.8 grams
Tc Max	90°C
Ta Max	50°C
Output wire	Red, Black single insulated 0.75mm ² 300 V 180°C VDE 0250
Input wire	Blue, Brown double insulated 0.75mm ² 300 V 180°C VDE 0250

US Version:

Dimensions (in)	1.77 x 1.77 x 0.98
Weight	3.2 ounces
Tc Max	90°C
Ta Max	50°C
Output wire	Red, Blue single insulated 18 AWG 300V 200°C UL1332
Input wire	White, Black double insulated 18 AWG 300V 200°C UL1332



Electrical

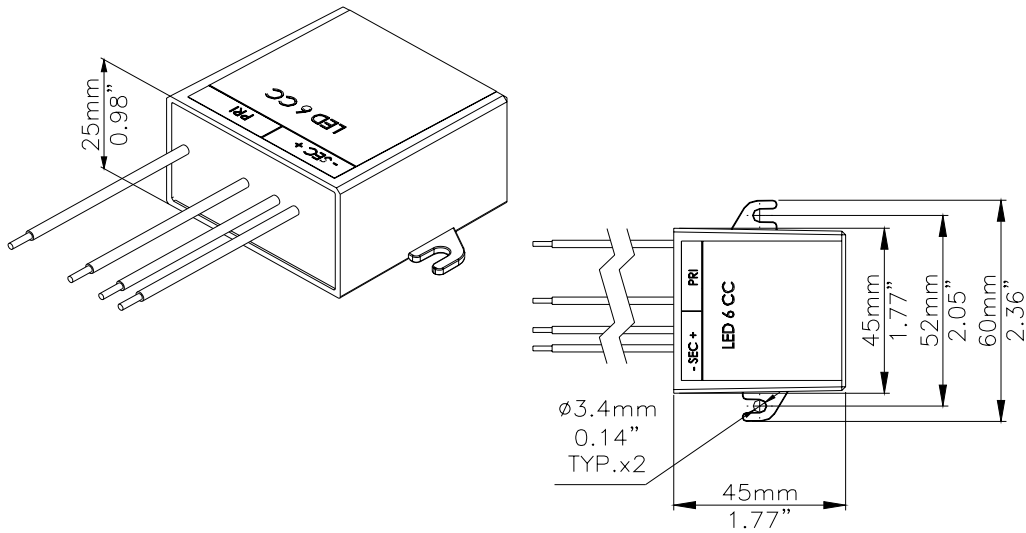
Load	1-6 VA
Input Voltage	120-240-277 V 0/50/60Hz
Maximum Input Current	0.2A @ 120V 0.1A @ 240/277V
Output Current	500mA±8%
Output Voltage	2-14V
EMC (RFI)	FCC Class A/EN 55015
Harmonics	EN 61000-3-2
Electrostatic Discharge	IEC61000-4-2
EMC Immunity	IEC61000-4-3
Burst	IEC61000-4-4
Surge	IEC61000-4-5
Injected RF	IEC61000-4-6
Mains interruption	IEC61000-4-11
Immunity	EN 61547/61047
Safety	EN 61347-2-13
SELV	

Protection and Regulation

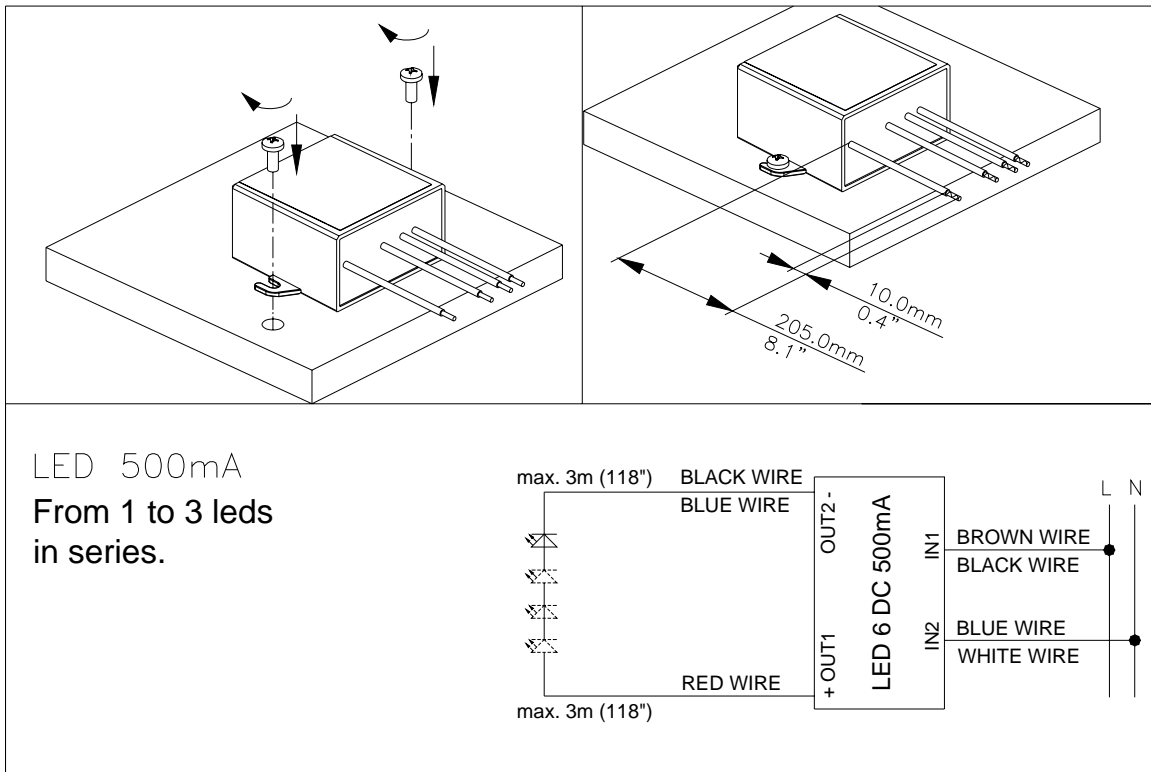
Electronic internal resettable short circuit protection. Thermal protection and overload regulation.



SPECIFICATION



Mounting Instructions



Safety Instructions

1. Always disconnect power before installation and / or removal of unit.
2. Install in accordance with national and local electrical codes.
3. Wires: Input and output wires 0.75mm² or 18AWG

X-ON Electronics

Largest Supplier of Electrical and Electronic Components

Click to view similar products for [lightech](#) manufacturer:

Other Similar products are found below :

[901301240](#)