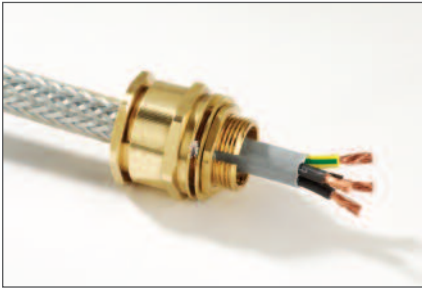


CXT CABLE GLAND



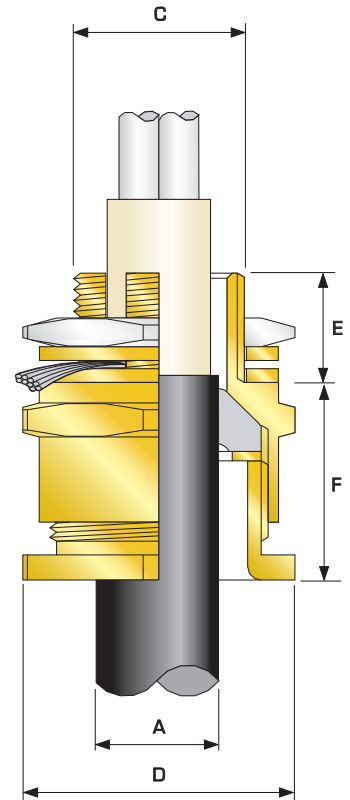
CXT Industrial Cable Gland

CMP CXT type brass indoor and outdoor cable gland for use with all types of screened flexible wire braid (e.g. CY/SY), or wire braid armour cable. The cable gland provides an environmental seal on the cable outer sheath. The cable gland also provides mechanical cable retention and electrical continuity via internal pig-tail termination of the flexible wire braid.

The CMP CXT range of industrial cable glands is designed and tested to BS 6121:Part 1:1989, meets or surpasses the requirements of EN 50262 :1999, and is produced from Brass grade CuZn39Pb3 (CW614N) to EN12168. Other materials including Aluminium are also available in this standard design.

TECHNICAL DATA

Type	CXT
Design Specification	BS 6121:Part 1:1989, EN 50262:1999
EN 50262 Mechanical Classifications	Retention = Class B, Impact = Level 8,
Continuous Operating Temperature	-60°C to +150°C
Ingress Protection Rating	IP66
Standard Gland Material	Brass
Alternative Gland Material	Electroless Nickel Plated Brass, Stainless Steel, Aluminium
Seal Material	CMP Formulated Thermoplastic Elastomer
Cable Type	Screened and Flexible Wire Braid (e.g CY / SY), Wire Braid Armour, Armored & Jacketed.
Sealing Technique	CMP Displacement Seal
Sealing Area(s)	Cable Outer Sheath
Optional Accessories	Adaptor/Reducer, Earth Tag, Entry Thread Seal, Locknut, Serrated Washer, Shroud



Cable Gland Selection Table

Cable Gland Size	Entry Thread 'C'	Minimum Thread Length 'E'	Cable Bedding Diameter 'A'		Across Flats 'D'	Across Corners 'D'	Nominal Protrusion Length 'F'	Ordering Reference (Brass Metric)	PVC Shroud Reference*	Cable Gland Weight (Kgs)
			Min	Max	Max	Max				
20S/16	M20	15.0	3.1	8.7	24.0	26.6	18.0	20S16CXT1RA	PVC04	0.058
20S	M20	15.0	6.1	11.7	24.0	26.6	18.0	20SCXT1RA	PVC04	0.058
20	M20	15.0	6.5	14.0	27.0	30.0	20.0	20CXT1RA	PVC05	0.062
25	M25	15.0	11.1	20.0	36.0	40.0	26.0	25CXT1RA	PVC09	0.120
32	M32	15.0	17.0	26.3	41.0	45.5	26.0	32CXT1RA	PVC10	0.134
40	M40	15.0	23.5	32.2	50.0	55.5	26.0	40CXT1RA	PVC13	0.182
50S	M50	15.0	31.0	38.2	55.0	61.5	28.0	50SCXT1RA	PVC14	0.236
50	M50	15.0	35.6	44.1	60.0	66.5	28.0	50CXT1RA	PVC17	0.244
63S	M63	15.0	41.5	50.0	70.0	77.6	28.0	63SCXT1RA	PVC20	0.377
63	M63	15.0	47.2	56.0	75.0	83.0	30.0	63CXT1RA	PVC22	0.374
75S	M75	15.0	54.0	62.0	80.0	88.7	30.0	75SCXT1RA	PVC24	0.456
75	M75	15.0	61.1	68.0	85.0	94.3	32.0	75CXT1RA	PVC26	0.388
90	M90	15.0	66.6	79.4	108.0	119.7	40.0	90CXT1RA	PVC31	1.480
100	M100	15.0	76.0	91.0	123.0	136.0	45.0	100CXT1RA	150/50HST	1.575
115	M115	15.0	89.0	98.0	133.4	148.0	48.0	115CXT1RA	180/60HST	2.322
130	M130	15.0	97.0	115.0	146.1	162.0	52.0	130CXT1RA	180/60HST	3.400

All dimensions in millimetres

Note: *LSF Shrouds also available on request. Marine approvals including Lloyds, DNV & ABS are also available from CMP Products.

X-ON Electronics

Largest Supplier of Electrical and Electronic Components

Click to view similar products for [Wire Identification category](#):

Click to view products by [CMP manufacturer](#):

Other Similar products are found below :

[CU6337-000](#) [CU6342-000](#) [FCA-410-12](#) [11631010](#) [1-1768037-1](#) [1-1768037-2](#) [1-1768050-0](#) [PXLK-VI](#) [Q62184-1](#) [A64304-000](#) [QMT221](#)
[HK032WE1NF038B](#) [1330-0519-10](#) [1395199-1](#) [1395200-1](#) [1395202-1](#) [DMVF050WE-300S6](#) [D-SCE-1K-2.4-50-4-CS7834](#) [1538738-1](#)
[E90935-000](#) [EC1238-000](#) [EC1465-000](#) [EC1855-000](#) [EC1859-000](#) [EC1863-000](#) [EC5415-000](#) [EC7277-000](#) [EC7352-000](#) [EC7603-000](#)
[EC7707-000](#) [EC7735-000](#) [EC7768-000](#) [EC7828-000](#) [EC7854-000](#) [EC7952-000](#) [EC8128-000](#) [1768037-8](#) [1768041-7](#) [NC-127191-10-9](#)
[HS048WE2NF038B](#) [C03232-000](#) [HTCM-SCE-14-4H-9](#) [HTMS-3/16-9](#) [HT-SCE-1/4-2.0-4](#) [HT-SCE-3/16-2.0-4](#) [HTTMS-1/2-1.50-9](#) [HTTMS-](#)
[CM-1/2-4H-9](#) [HX-SCE-19.0-50-9](#) [HX-SCE-6.4-50-4](#) [C25254-000](#)