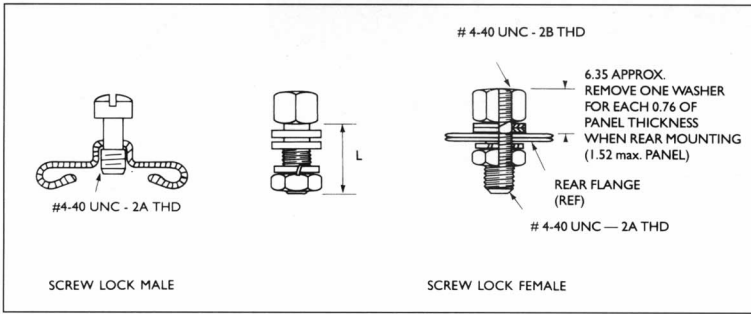


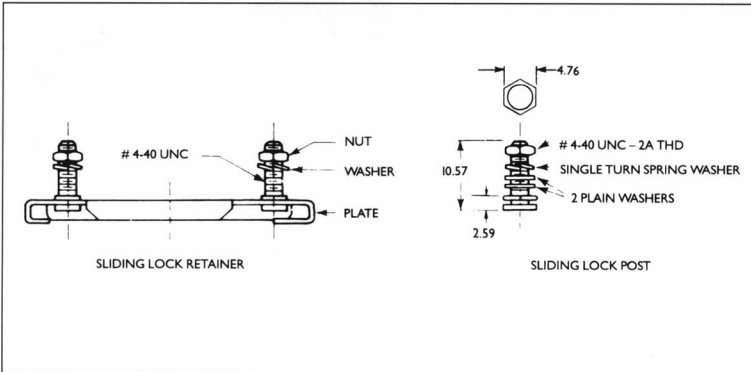
Screw Lock Assemblies



Order Code	Type	
MD 20419	Male	Fits shell sized 9-37 way
MD 20420	Male	Fits shell size 50 way
MD 20418-2	Female	L = 7.9mm
MD 20418L-2	Female	L = 14.5mm

(All the above are supplied in pairs)
Standard finish is zinc/yellow chromate, for tin finish add **T** to end of order code.

Sliding Lock Assemblies



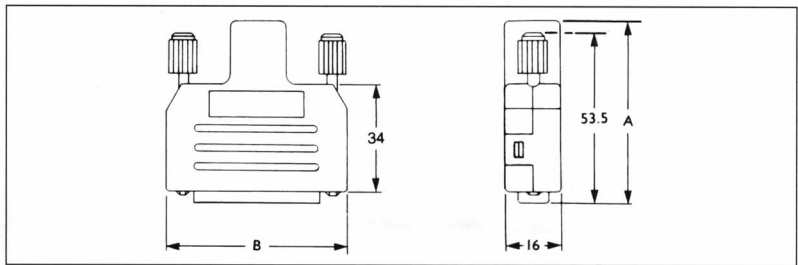
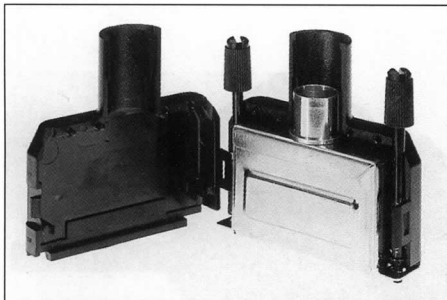
Contact Arrangements	Order Code
9	MDE 51224-1
15	MDA 51220-1
25	MDB 51221-1
37	MDC 51222-1
50	MDD 51223-1
Sliding Lock Post* (supplied in pairs)	MD 53018

*Standard finish is zinc/yellow chromate, for tin finish add **T** to end of order code.

EMI/RFI Shielded Hoods for Braided or Foil Shielded Cables

Features

- Available in 4 sizes 9, 15, 25 and 37 ways.
- Shielding effectiveness: 40dB over the frequency range 100MHz to 1GHz.
- Metal ferrule for use with braided cables. Plastic ferrule for use with foil cables.
- Metal hood is crimped to the cable at cable entry.
- 360° crimp termination provides strain relief, plus excellent continuity and shielding integrity.
- Material: zinc plated low carbon steel - gives excellent protection from magnetic fields.
- Suitable for solder bucket, crimp, and metal IDC connectors.
- Compact to fit tight spaces.
- Company logos can be moulded into the covers - consult sales office for details.
- Available in standard black, or your company colour on request.



Hand Crimp Tool MP737

The hand crimp tool has interchangeable die sets for various sizes of cable, see table for correct die set code.

Metal Hoods With Plastic Covers (Braided Cable)

Contact Arrangement	Order Code	Cable Diameter	Die Code	A mm	B mm
9	MDE 5.0CK	5.5 - 7.0	MP 738 - 8.0	56.5	35.0
	MDE 6.5CK	7.0 - 8.0	MP 738 - 9.0		
	MDE 7.0CK	8.0 - 10.0	MP 738 - 11.6		
	MDE 7.4CK	9.0 - 10.5	MP 738 - 12.0		
	MDE 8.6CK	10.5 - 11.2	MP 738 - 12.5		
15	MDA 5.0CK	5.5 - 7.0	MP 738 - 8.0	57.5	43.0
	MDA 6.5CK	7.0 - 8.0	MP 738 - 9.0		
	MDA 7.0CK	8.0 - 10.0	MP 738 - 11.6		
	MDA 7.4CK	9.0 - 10.5	MP 738 - 12.0		
	MDA 8.6CK	10.5 - 11.2	MP 738 - 12.5		
25	MDB 5.0CK	5.5 - 7.0	MP 738 - 8.0	57.5	53.0
	MDB 6.5CK	7.0 - 8.0	MP 738 - 9.0		
	MDB 7.0CK	8.0 - 10.0	MP 738 - 11.6		
	MDB 7.4CK	9.0 - 10.5	MP 738 - 12.0		
	MDB 8.6CK	10.5 - 11.2	MP 738 - 12.5		
37	MDC 5.0CK	5.5 - 7.0	MP 738 - 8.0	57.5	74.0
	MDC 6.5CK	7.0 - 8.0	MP 738 - 9.0		
	MDC 7.0CK	8.0 - 10.0	MP 738 - 11.6		
	MDC 7.4CK	9.0 - 10.5	MP 738 - 12.0		
	MDC 8.6CK	10.5 - 11.2	MP 738 - 12.5		

X-ON Electronics

Largest Supplier of Electrical and Electronic Components

Click to view similar products for [itw switches manufacturer](#):

Other Similar products are found below :

[MP648-16\(50\)](#) [SDBS25PN](#) [48M-111B](#) [76-959034](#) [181541B](#) [MDJ15](#) [DA15POLF](#) [48M-111G](#) [22-204](#) [DC37PF](#) [DB25SNF](#) [DB25SF](#) [76-9510/4044](#) [65-301000](#) [49-59115](#) [40-2-5](#) [76-9513/4044G](#) [76-9113/439088](#) [SDAX15SNT](#) [SDD50PTD](#) [H48M-213B/4044](#) [59-900091](#) [48M210N](#) [ES1020](#) [SDB25PNTD](#) [DE9SNF](#) [DAC15P](#) [49-59121](#) [H48M-112B/4044](#) [57-112R](#) [HDAX26SNT](#) [76-9112/439088](#) [48-1-RB-G-BK-B](#) [76-9440/439088N](#) [48M112R](#) [H48M-112G/4044](#) [57M110N](#) [40-2-10](#) [H48M-212B/4044](#) [76-9116/439088](#) [DE9PF](#) [57M-211B](#) [4959213](#) [71-2010](#) [48M110N](#) [H48M-212R/4044](#) [1640401](#) [76-9711/439088R](#) [76-9440/439088B](#) [48-1-RB-R-BK-B](#)