



PHILIPS



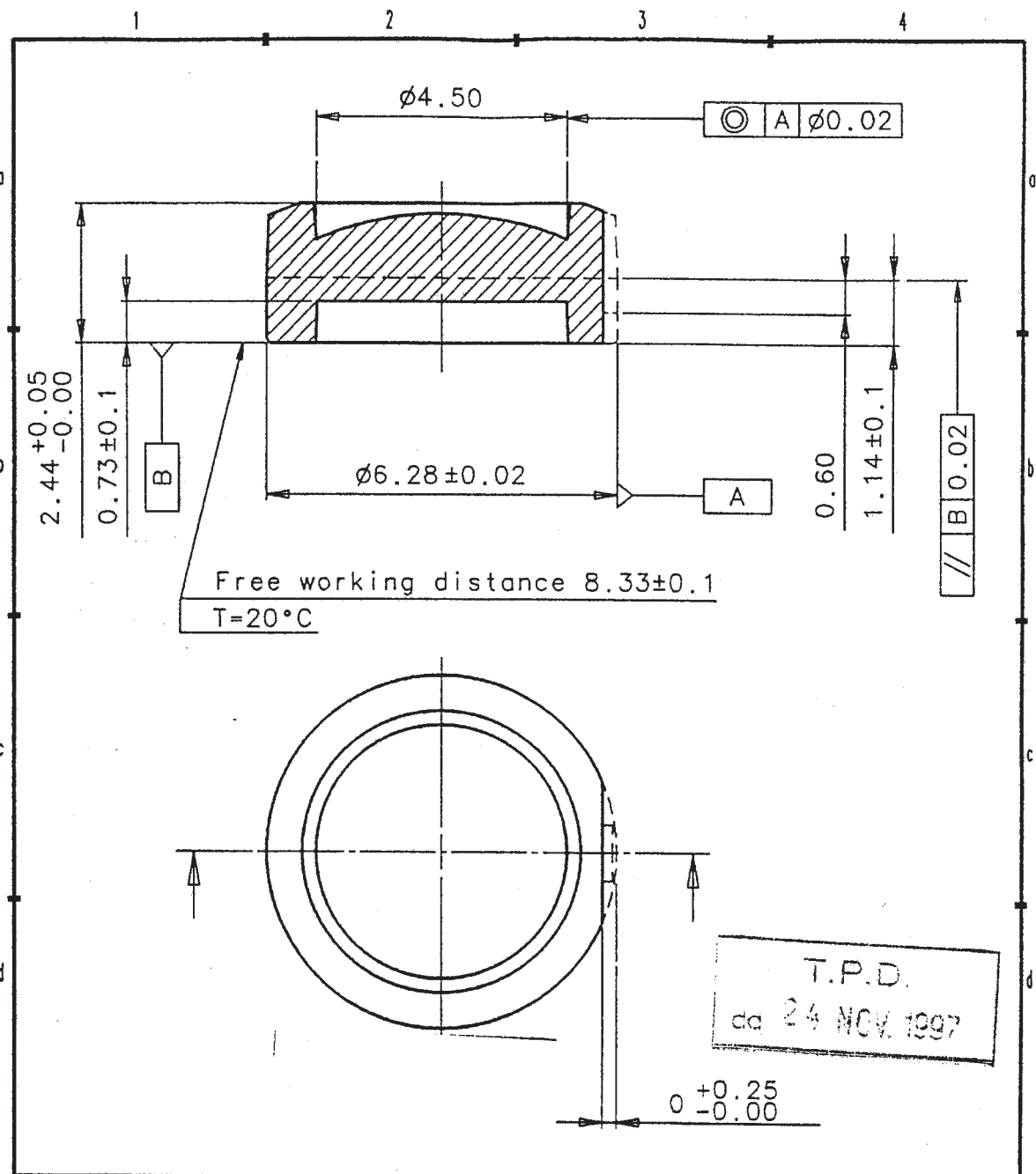
Datasheet Plastic Collimator Lens CAX100

These data concern a full plastic aspherical plano-convex lens. It is specified for use as a collimator in combination with a diode laser. It can be mounted by use of glue or spring-loaded. Mechanical lock-mounting is not advisable because of possible distortions.

| Parameters | Wavelength 670 nm | Unit |
|--|----------------------|------|
| Design conditions | | |
| N.A. | 0.20 | -- |
| Clear Aperture <i>CA</i> | 4.1 | mm |
| Designed with laser cover glass (<i>BK7</i>) on source side: | | |
| Distance from source | 0.55 | mm |
| Glass thickness | 0.25 | mm |
| Optical parameters | | |
| Focal Length | 10.0 | mm |
| Back Focal Length <i>BFL</i> (<i>incl BK7-glass</i>) | 9.21 | mm |
| Free Working Distance <i>FWD</i> | 8.48 | mm |
| <i>RMS</i> mean | on axis | 35 |
| <i>RMS</i> max. ($\pm 3\sigma$) | on axis | 80 |
| <i>RMS</i> max. ($\pm 3\sigma$) | | mλ |
| <i>RMS</i> max. ($\pm 3\sigma$) | | mλ |
| Optical Tolerance | 0.1 | mm |
| Field Radius | 0.2 | mm |
| Mechanical parameters | | |
| Mounting hole diameter D_{mh} | Ø 6.28 | mm |
| Other parameters: see drawing | | |
| Environmental stability | | |
| Storage Temperature | -25 to 100 | °C |
| Operating Temperature | -10 to 75 | °C |

| |
|--|
| General Data: Transmission [%]: 90 Lens Material: Polycarbonate |
|--|

Specifications subject to change without notice.
Zemax catalogue file available.



| | | | | | | | |
|---|-----------------|---|-------------------|---|--------------|-----------------------------------|------------------|
| UN-D 28 <small>... R_a in μm</small> | | TOLERANCES UNLESS OTHERWISE STATED TOLERANTIES TENZIJ ANDERS VERMELD | | UN-D 603 | | | |
| GENERAL ROUGHNESS ALGEMENE RUWHEID | UNIT EEDM. | MATERIAL | DIMENSION MAAT | ANGLE HOEK | ITEM POST | ASSEMBLY NO. SAMENSTELLINGSNR. | QUANT. AANTAL |
| | | Optical Grade Plastic | | | | PATTERN NO./MODELNR. | |
| SCALE SCHAAL | PROJ. EUROP. | TREATMENT BEHANDELING | | | | ORDER NO./ORDERNR. | QUANT. AANTAL |
| 10:1 | | | | | | | |
| CLASS NO. | | Collimating lens | | 5722 650 3418 | | 1 | |
| | | CAX100N670 | | | | 1 97-07-18 | |
| | | | | | | 1 97-10-28 | |
| NAAM NAME | R.d.Schipper | SUPERV. VERV. | 4 | 590-4 | 10 | A4 | |
| CHECK CONTR. | | DATE DAT. | 95-03-10 | Property of Eigendom van N.V. PHILIPS' GLOEI-LAMPENFABRIEKEN EINDHOVEN - NEDERLAND | | | |

X-ON Electronics

Largest Supplier of Electrical and Electronic Components

Click to view similar products for [laser components manufacturer](#):

Other Similar products are found below :

[FP-HD-L-635-7-30-F](#) [IG22X1000S4I](#) [FP-D-520-1-C-F](#) [FP-D-650-1D-C-F](#) [FP-LR-635-1-C-F](#) [FP-MV18-ST-660-20-30-F-STD](#) [FP-D-405-16-E-F](#) [FP-D-635-17-C-F](#) [FP-D-635-3-E-F](#) [FP-D-635-7-E-F](#) [FP-D-650-25-E-F](#) [FP-D-650-3-E-F](#) [FP-D-660-40-C-F](#) [FP-D-670-1-C-F](#) [FP-D-670-5-C-F](#) [FP-D-785-50-C-F](#) [FP-D-850-1-C-F](#) [FP-D-850-5-E-F](#) [FP-L-635-5-50-C](#) [FP-L-850-3-50-C](#) [FP-L-905-5-50-C](#) [FP-MG-19](#) [FP-MS-11.5](#) [FP-D-650-1-C-F](#) [IG17X1300S4I](#) [LC-LMD-635-03-03-A](#) [LC-LMD-650-05-01-A](#) [FP-MINI-635-1-F](#) [FP-MINI-650-1-F](#) [IG22X250S4I](#) [ILM12F-DOE-520-7-259-F](#) [FP-D-635-13-E-F](#) [FP-D-635-40-C-F](#) [FP-D-905-7-E-F](#) [FP-L-405-15-50-C](#) [FP-L-635-1-50-C](#) [FP-L-650-1-50-C](#) [LC-LMP-635-287-03-A](#) [FP-D-520-5-C-F](#) [IG17X250S4I](#) [ILM12F-DOE-635-7-247-F](#) [FP-D-635-1-C-F](#) [FP-D-635-1-C-F-24V](#) [ILM12F-D-520-1-C-F](#) [FP-D-650-20-C-F-24](#) [ADL-65104TA4](#) [ILM12F-L-520-7-58-F](#) [ADL-65104TL](#) [LC-LMD-635-02-03-A](#) [FP-HD-DOE-520-7-289-F](#)