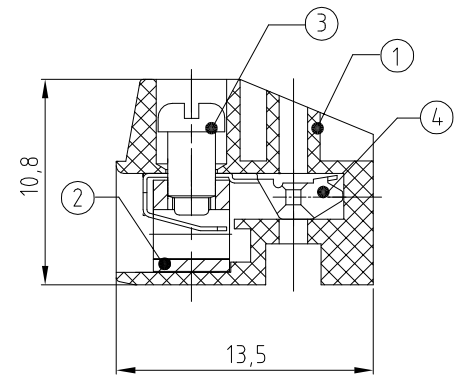
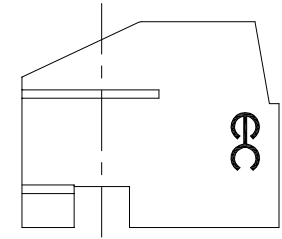
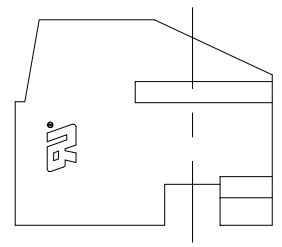
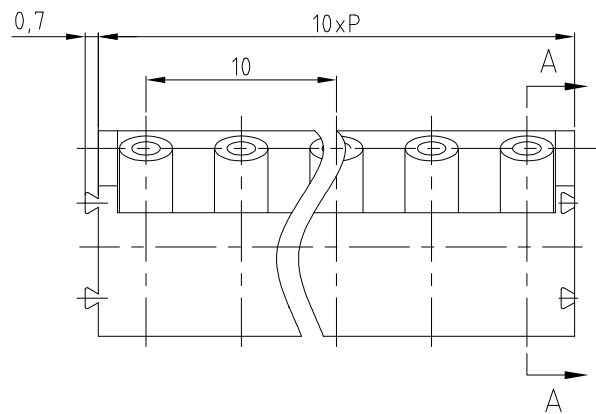
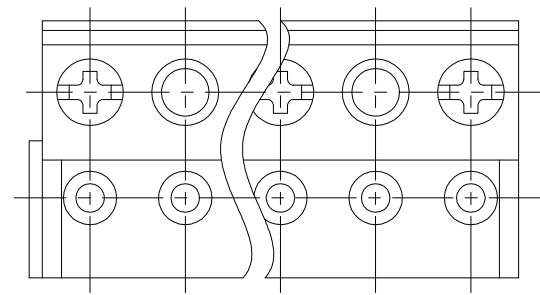


used for:

- NOTES:
- 1,Rating:300V 10A;
 - 2,Insulation Withstands Voltage:
AC1500V/MIN
 - 3,Insulation Resistance:
1000MΩ or more at DC500V
 - 4,Using Temperature Range:
-40°C--+105°C
 - 5.Screw Torque Vlaue:4.4kg-cm²
 - 6,Suitable Electric Wire:
14-20AWG



Section A -- A



4	CLAMP	0018M00100	P	QSn6.5-0.1	Ni-Plated	
3	SCREW	S000002500	P	STEEL	Zinc-Plated	
2	BLOCK	C000001000	P	HPb59-1	Ni-Plated	
1	Housing	0018P00200	1	PBT G20	UL94V-0	
ITEM	NAME OF PART	NO OF PART	Q"TY	MATERIAL	NOTE	
DWG.	CHEN.R	DATE	2004/02/06	UNITS	MM	
CHK.		DATE		SCALE	1:1	
APP.		DATE				
					NAME	20.130M
					DWG NO.	

Pitch range in mm					Nominal dimension rage in mm					radius			chamfer			short angle side			=			-			□			//			
2	8	16	24	32	0.5	3	6	30	120	0.5	3	6	10	50	120	all	all	all	5	30	120	5	30	120	5	30	120	5	30	120	
to	to	to	to	to	to	to	to	to	to	to	to	to	to	to	to	to	to	to	to	to	to	to	to	to	to	to	to	to	to	to	
±0.08	±0.13	±0.18	±0.23	±0.28	±0.1	±0.1	±0.2	±0.3	±0.5	±0.2	±0.5	±1	1°	30'	20'	10'	0.2	0.5	0.025	0.06	0.12	0.4									

△	REV.	CONTENT	CHK.	DATE
---	------	---------	------	------



20.130M

X-ON Electronics

Largest Supplier of Electrical and Electronic Components

Click to view similar products for [imo manufacturer](#):

Other Similar products are found below :

[20.155MV/12-E](#) [MC14N-S-10110AC](#) [MB09-S-10=24](#) [DPS-1-030-24](#) [SRF-1C-SL-12VDC](#) [MB09-S-1024](#) [LDC18RRS](#) [SFSYE0111](#)
[21.1500M/6-E](#) [20.3304M/2-E](#) [21.910M/5-E](#) [20.95MA/2-E](#) [21.95MHF/2-E](#) [PE69-4032](#) [DPS-1-060-24](#) [CS20A-A2](#) [CS20A-U1](#) [VFC02](#)
[MSSTC11DA06](#) [20.95MHF/3-E](#) [B3T10](#) [XKL-040-21](#) [20.3304M/4-E](#) [SRDH-1A-SL-24VDC](#) [20.2500M/5-E](#) [21.155MH/12](#) [SRRHN-2CN-](#)
[SL-12VDC](#) [QYE21XXF24DC](#) [20.920M/5-E](#) [MC10N-S-10110AC](#) [21.1550MF/8-E](#) [20.910M/6-E](#) [20.95MH/3-E](#) [21.95MV/3](#) [MA05-S-](#)
[01230AC](#) [SRRHN-2CN-SL-5VDC](#) [LB69-4040](#) [20.3001M/6](#) [21.1500M/3-E](#) [SFSYE0311](#) [21.95MHF/6-E](#) [20.95MV/2-E](#) [20.155MV/4-E](#)
[20.155MH/4-E](#) [20.950M/2-E](#) [MT5 1-50-FAR](#) [BS3P3REDO](#) [MB12-S-10=24](#) [MA05-S-1024DC](#) [20.155MVF/8-E](#)