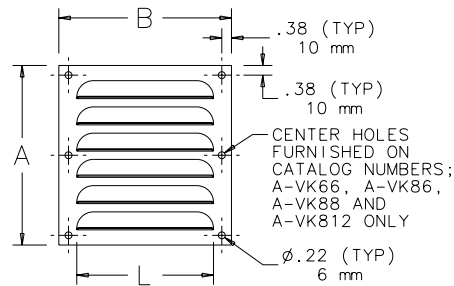
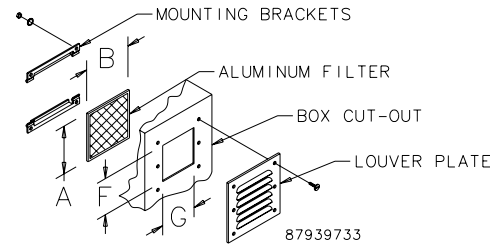


## Louver Plate Kits



Designed to provide ventilation in enclosures where excessive internal heat or excessive moisture is a problem. Although louvers cannot keep all moisture out of an enclosure, gasketing or sealing the perimeter of the louver plate reduces problems associated with moisture intrusion. These kits may be easily installed in the field by making a cutout of the proper size and attaching the louver plate in place. Louver plates are made from 14 gauge steel with an ANSI 61 gray polyester powder finish over pretreated surfaces or 316 stainless steel. Hardware is furnished for mounting. Custom sizes, materials, finishes, etc., can be provided on special order.

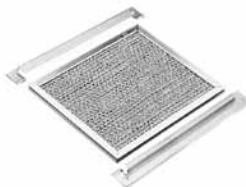
Bulletin: D85



Catalog Number	Dimensions		Number of Louvers	Dimensions		Opening Area (in. <sup>2</sup> )	Opening Area (cm <sup>2</sup> )	Cutout Size, F (in.)	Cutout Size, F (mm)	Cutout Size, G (in.)	Cutout Size, G (mm)		
	A x B (in.)	A x B (mm)		Depth D (in.)	Depth D (mm)							Length L (in.)	Length L (mm)
AVK23	3.25 x 3.25	83 x 83	3	0.19	5	2.00	51	.86	5.54	2.00	51	1.75	44
AVK23SS6	3.25 x 3.25	83 x 83	3	0.19	5	2.00	51	.86	5.54	2.00	51	1.75	44
AVK33	3.88 x 4.50	98 x 114	3	0.25	6	3.00	76	1.32	8.52	2.62	67	3.00	76
AVK33SS6	3.88 x 4.50	98 x 114	3	0.25	6	3.00	76	1.32	8.52	2.62	67	3.00	76
AVK34	4.75 x 4.50	121 x 114	4	0.25	6	3.00	76	1.76	11.35	3.50	89	3.00	76
AVK34SS6	4.75 x 4.50	121 x 114	4	0.25	6	3.00	76	1.76	11.35	3.50	89	3.00	76
AVK43	4.50 x 5.50	114 x 140	3	0.25	6	4.00	102	1.88	12.10	3.25	83	4.00	102
AVK43SS6	4.50 x 5.50	114 x 140	3	0.25	6	4.00	102	1.88	12.10	3.25	83	4.00	102
AVK44	5.62 x 5.50	143 x 140	4	0.25	6	4.00	102	2.50	16.13	4.38	111	4.00	102
AVK44SS6	5.62 x 5.50	143 x 140	4	0.25	6	4.00	102	2.50	16.13	4.38	111	4.00	102
AVK64	5.62 x 7.50	143 x 191	4	0.31	8	6.00	152	5.21	33.61	4.38	111	6.00	152
AVK64SS6	5.62 x 7.50	143 x 191	4	0.31	8	6.00	152	5.21	33.61	4.38	111	6.00	152
AVK66	7.88 x 7.50	200 x 191	6	0.31	8	6.00	152	7.82	50.45	6.62	168	6.00	152
AVK66SS6	7.88 x 7.50	200 x 191	6	0.31	8	6.00	152	7.82	50.45	6.62	168	6.00	152
AVK84	5.81 x 9.50	148 x 241	4	0.31	8	8.00	203	8.08	52.12	4.56	116	8.00	203
AVK84SS6	5.81 x 9.50	148 x 241	4	0.31	8	8.00	203	8.08	52.12	4.56	116	8.00	203
AVK86	8.19 x 9.50	208 x 241	6	0.31	8	8.00	203	12.11	78.13	6.94	176	8.00	203
AVK86SS6	8.19 x 9.50	208 x 241	6	0.31	8	8.00	203	12.11	78.13	6.94	176	8.00	203
AVK88	10.56 x 9.50	268 x 241	8	0.31	8	8.00	203	16.15	104.19	9.31	236	8.00	203
AVK88SS6	10.56 x 9.50	268 x 241	8	0.31	8	8.00	203	16.15	104.19	9.31	236	8.00	203
AVK812	15.31 x 9.50	389 x 241	12	0.31	8	8.00	203	24.22	156.26	14.06	357	8.00	203
AVK812SS6	15.31 x 9.50	389 x 241	12	0.31	8	8.00	203	24.22	156.26	14.06	357	8.00	203

SS6 in catalog number indicates louver plate is Type 316L stainless steel.

## Filters for Louver Plate Kits



### Design

Designed for use with Louver Plate Kit. Mounting holes on filter bracket align with louver mounting holes. Hardware supplied with louvers also secures filter brackets in place. Aluminum air filters provide good arrestment of airborne dust and dirt.

### Filter Media

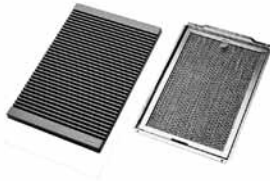
Filter media is composed of layers of slit and expanded aluminum providing hundreds of adhesive coated baffle surfaces for trapping impurities. Impurities are held throughout the depth of the filter. Washing with warm water will keep the filter clean. To achieve best results, Hoffman Filter Adhesive is recommended.

Bulletin: D85

Catalog Number	Dimensions		Use with Steel Louver	Use with Stainless Steel Louver
	A x B (in.)	A x B (mm)		
AFLT33	3.22 x 3.25	82 x 83	AVK33	AVK33SS6
AFLT34	4.09 x 3.25	104 x 83	AVK34	AVK34SS6
AFLT43	3.84 x 4.25	98 x 108	AVK43	AVK43SS6
AFLT44	4.97 x 4.25	126 x 108	AVK44	AVK44SS6
AFLT64	4.45 x 6.25	113 x 159	AVK64	AVK64SS6
AFLT66	6.72 x 6.25	171 x 159	AVK66	AVK66SS6
AFLT84	4.64 x 8.25	118 x 210	AVK84	AVK84SS6
AFLT86	7.02 x 8.25	178 x 210	AVK86	AVK86SS6
AFLT88	9.39 x 8.25	239 x 210	AVK88	AVK88SS6
AFLT812	14.14 x 8.25	359 x 210	AVK812	AVK812SS6

**Louvers and Vents**

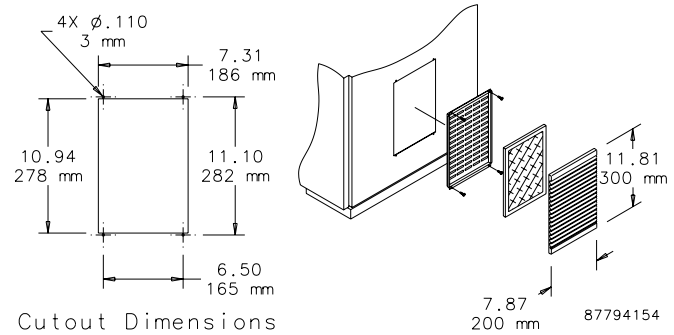
**Vent Kit**



Includes a stylized louvered cover and filter package. Use as an air inlet when a cooling fan is mounted in an enclosure or use two vent kits to allow passive airflow. Mounting hardware included. Vent Kit requires cutout shown in diagram. Available in gray (RAL 7042) or black.

Bulletin: D85, P20

Catalog Number	H x W x D (in.)	H x W x D (mm)	Color
XPV32	11.81 x 7.88 x 1.03	300 x 200 x 26	Gray
PPV32B	11.81 x 7.88 x 1.03	300 x 200 x 26	Black



Cutout Dimensions

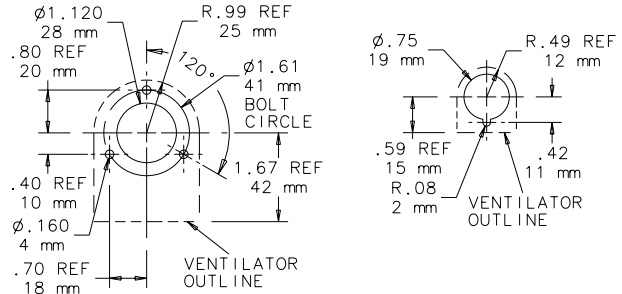
**Ventilators**



Designed to fit most metallic and non-metallic enclosures. Proper installation will provide rainproof ventilation but will not meet Type 4 or 12 requirements. Kit includes a ventilator made of fire-retardant thermoplastic material, mounting hardware, and instructions. Supplied screws are 13-mm (.515-inch) long. Some applications may require longer screws.

Bulletin: D85

Catalog Number	Description
ANMV6	Large nonmetallic vent
ANMV3	Small nonmetallic vent



Large Ventilator

Small Ventilator

87541390

**Filter Adhesive**



Designed to maximize the efficiency of all expanded aluminum air filters. Use of Filter Adhesive doubles the dust-retention capacity of the filter. Adhesive contains a low-viscosity water-soluble oil which absorbs dirt particles trapped on the surface of the filter. Through the circulation of the oil, a renewed impurity-absorbing surface is constantly established. Washing with water will remove dust, dirt and other impurities. Once the filter is dry, re-coat with adhesive.

Bulletin: D85

Catalog Number	Description
AFLTAD	Spray Adhesive

## X-ON Electronics

Largest Supplier of Electrical and Electronic Components

*Click to view similar products for [DC Fans](#) category:*

*Click to view products by [Hoffman](#) manufacturer:*

Other Similar products are found below :

[614R](#) [6424/2HP-210](#) [8312R](#) [DV4118/2NP-183](#) [AFB0948HH-S687](#) [PFB0824DHE-8B72](#) [G2E085-AA05-10](#) [RD20S-4/210660](#) [4318/12T](#)  
[4418HH](#) [AUB0912H-F00](#) [3412N/2ME](#) [K2E225-RA92-09](#) [4184N/2XR](#) [5214N2HH](#) [614J2HHPR-010](#) [8412NGL-12](#) [4114N/12HHR-297](#)  
[4656](#) [ZWR-903](#) [4112N12GL-175](#) [KD2406PKB2.\(2\).GN](#) [AFB1248HHE](#) [AFB1212LE-F00](#) [FAN-SCH-1](#) [MF60151V1-1000U-G99](#)  
[PF80252V1-1000U-G99](#) [PF92252V1-1000U-G99](#) [4112N/2H6P](#) [4114N/17-251](#) [6212NH](#) [622/2N](#) [712F-011](#) [8218J/2NP-181](#) [W1G180-AB47-](#)  
[15](#) [FAA1-12038NBKW31-A](#) [6318N/2TDP](#) [6318N/2H3PU](#) [6318HU](#) [424JMU](#) [PMD1206PTVX-A.U.GN](#) [PF80251B2-000U-F99](#)  
[EF40101BX-1000U-G99](#) [AD1224LB-A71GL](#) [9GA0924L4021](#) [9GA0924M4021](#) [9GA0924M4011](#) [9GA0824B20011](#) [9GA0812A2D0011](#)  
[9GA0912M4D011](#) [9GA0924W4D01](#)