



## VXR SERIES

105°C 7000 hours, Snap-in Terminal Type.

## ◆ FEATURES

- Load Life : 105°C 7000hours.
- RoHS compliance.



## ◆ SPECIFICATIONS

Items	Characteristics						
Category Temperature Range	-25~+105°C						
Rated Voltage Range	160~450V.DC						
Capacitance Tolerance	±20%(20°C,120Hz)						
Leakage Current(MAX)	$I = 3\sqrt{CV}$ (After 5 minutes application of rated voltage) $I = (\mu A)$ Leakage Current $V = (V)$ Rated Voltage $C = (\mu F)$ Rated Capacitance						
Dissipation Factor(MAX) (tanδ)	<table border="1"> <thead> <tr> <th>(V) Rated Voltage</th> <th>160~250</th> <th>315~450</th> </tr> </thead> <tbody> <tr> <td>tanδ</td> <td>0.15</td> <td>0.20</td> </tr> </tbody> </table> (20°C,120Hz)	(V) Rated Voltage	160~250	315~450	tanδ	0.15	0.20
(V) Rated Voltage	160~250	315~450					
tanδ	0.15	0.20					
Impedance Ratio(MAX)	<table border="1"> <thead> <tr> <th>(V) Rated Voltage</th> <th>160~250</th> <th>315~450</th> </tr> </thead> <tbody> <tr> <td><math>Z(-25°C)/Z(20°C)</math></td> <td>3</td> <td>8</td> </tr> </tbody> </table> (120Hz)	(V) Rated Voltage	160~250	315~450	$Z(-25°C)/Z(20°C)$	3	8
(V) Rated Voltage	160~250	315~450					
$Z(-25°C)/Z(20°C)$	3	8					
Endurance	After applying rated voltage with rated ripple current for 7000hrs at 105°C, the capacitors shall meet the following requirements. <table border="1"> <tbody> <tr> <td>Capacitance Change</td> <td>Within ±20% of the initial value.</td> </tr> <tr> <td>Dissipation Factor</td> <td>Not more than 200% of the specified value.</td> </tr> <tr> <td>Leakage Current</td> <td>Not more than the specified value.</td> </tr> </tbody> </table>	Capacitance Change	Within ±20% of the initial value.	Dissipation Factor	Not more than 200% of the specified value.	Leakage Current	Not more than the specified value.
Capacitance Change	Within ±20% of the initial value.						
Dissipation Factor	Not more than 200% of the specified value.						
Leakage Current	Not more than the specified value.						

## ◆ MULTIPLIER FOR RIPPLE CURRENT

Frequency coefficient

(Hz) Frequency		60(50)	120	500	1k	10k≤
Coefficient	160~250VV	0.80	1.00	1.20	1.30	1.50
	315~450VV	0.80	1.00	1.20	1.25	1.40

## ◆ PART NUMBER

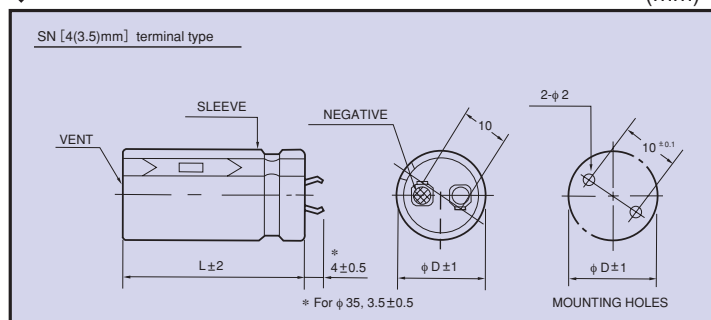
□□□	VXR	□□□□□	□	□□□	SN	D×L
Rated Voltage	Series	Rated Capacitance	Capacitance Tolerance	Option	Terminal Code	Case Size

## ◆ Option

	Code
PET Sleeve without plate	EFC
PVC Sleeve without plate	OOE
PVC Sleeve with plate	Blank

## ◆ DIMENSIONS

(mm)



**◆ STANDARD SIZE**

Cap(μF)	WV φ D	160				180			
		φ 22	φ 25	φ 30	φ 35	φ 22	φ 25	φ 30	φ 35
220						22×25 1.00			
270	22×25 1.10					22×25 1.10			
330	22×25 1.20					22×30 1.20	25×25 1.20		
390	22×30 1.30	25×25 1.30				22×30 1.30	25×25 1.30		
470	22×35 1.40	25×30 1.40				22×35 1.40	25×30 1.40	30×25 1.40	
560	22×40 1.50	25×30 1.50	30×25 1.50			22×40 1.50	25×35 1.50	30×25 1.50	
680	22×45 1.70	25×35 1.70	30×30 1.70			22×45 1.70	25×35 1.70	30×30 1.70	
820	22×50 2.00	25×40 2.00	30×30 2.00				25×40 2.00	30×35 2.00	35×30 2.00
1000		25×45 2.20	30×35 2.20	35×30 2.20			25×50 2.20	30×35 2.20	35×30 2.20
1200		25×50 2.30	30×40 2.30	35×35 2.30				30×40 2.30	35×35 2.30
1500			30×45 2.50	35×35 2.50				30×50 2.50	35×40 2.50
1800			30×50 2.70	35×40 2.70					35×45 2.70
2200				35×45 2.90					35×50 2.90

Cap(μF)	WV φ D	200				250			
		φ 22	φ 25	φ 30	φ 35	φ 22	φ 25	φ 30	φ 35
180						22×25 0.90	25×25 0.90		
220	22×25 1.00					22×30 1.00	25×25 1.00		
270	22×30 1.10	25×25 1.10				22×35 1.10	25×30 1.10	30×25 1.10	
330	22×30 1.20	25×25 1.20				22×40 1.20	25×30 1.20	30×25 1.20	
390	22×35 1.30	25×30 1.30	30×25 1.30			22×45 1.30	25×35 1.30	30×30 1.30	
470	22×40 1.40	25×35 1.40	30×25 1.40			22×50 1.40	25×40 1.40	30×30 1.40	35×30 1.40
560	22×45 1.50	25×35 1.50	30×30 1.50				25×45 1.50	30×35 1.50	35×30 1.50
680	22×50 1.70	25×40 1.70	30×30 1.70				25×50 1.70	30×40 1.70	35×35 1.70
820		25×45 2.00	30×35 2.00	35×30 2.00				30×45 2.00	35×35 2.00
1000			30×40 2.20	35×35 2.20				30×50 2.20	35×40 2.20
1200			30×45 2.30	35×40 2.30					35×45 2.30
1500				35×50 2.50					

Cap(μF)	WV φ D	315				350			
		φ 22	φ 25	φ 30	φ 35	φ 22	φ 25	φ 30	φ 35
82	22×25 0.64					22×25 0.64			
100	22×30 0.69					22×30 0.69	25×25 0.69		
120	22×30 0.75	25×25 0.75				22×35 0.75	25×30 0.75		
150	22×35 0.82	25×30 0.82	30×25 0.82			22×40 0.82	25×30 0.82	30×25 0.82	
180	22×40 0.90	25×30 0.90	30×25 0.90			22×45 0.90	25×35 0.90	30×30 0.90	
220	22×45 1.00	25×35 1.00	30×30 1.00			22×50 1.00	25×40 1.00	30×30 1.00	
270		25×40 1.10	30×35 1.10	35×30 1.10			25×45 1.10	30×35 1.10	35×30 1.10
330		25×50 1.20	30×40 1.20	35×30 1.20				30×40 1.20	35×35 1.20
390			30×40 1.30	35×35 1.30				30×45 1.30	35×35 1.30
470			30×45 1.40	35×40 1.40				30×50 1.40	35×40 1.40
560				35×45 1.50					35×50 1.50
680				35×50 1.70					

Cap(μF)	WV φ D	400				450			
		φ 22	φ 25	φ 30	φ 35	φ 22	φ 25	φ 30	φ 35
39						22×25 0.37			
47						22×30 0.40			
56	22×25 0.51					22×35 0.47	25×25 0.47		
68	22×30 0.56	25×25 0.56				22×40 0.53	25×30 0.53		
82	22×30 0.64	25×25 0.64				22×45 0.56	25×35 0.56	30×25 0.56	
100	22×35 0.69	25×30 0.69				22×50 0.64	25×40 0.64	30×30 0.64	
120	22×40 0.75	25×30 0.75	30×25 0.75				25×45 0.72	30×30 0.72	
150	22×45 0.82	25×35 0.82	30×30 0.82				25×50 0.79	30×40 0.79	35×30 0.79
180	22×50 0.90	25×40 0.90	30×30 0.90	35×25 0.90				30×45 0.87	35×35 0.87
220		25×45 1.00	30×35 1.00	35×30 1.00				30×50 1.00	35×40 1.00
270			30×40 1.10	35×35 1.10					35×45 1.19
330			30×45 1.20	35×40 1.20					35×50 1.38
390				35×45 1.30					
470				35×50 1.40					

Case Size φ D×L(mm) ↑

↑ Ripple Current (A r.m.s./120Hz, 105°C)

## X-ON Electronics

Largest Supplier of Electrical and Electronic Components

*Click to view similar products for [Aluminum Electrolytic Capacitors - Leaded](#) category:*

*Click to view products by [Rubycon](#) manufacturer:*

Other Similar products are found below :

[LXY50VB4.7M-5X11](#) [MAL203125221E3](#) [MAL204216159E3](#) [ESMG101ETD100MF11S](#) [RBC-25V-10UF-4X7](#) [RE3-35V222MJ6#](#) [RFO-100V471MJ7P#](#) [B41041A2687M8](#) [B41041A7226M8](#) [B41044A7157M6](#) [EKRG250ELL100MD07D](#) [EKXG201EC3101ML20S](#)  
[EKXG351ETD6R8MJ16S](#) [EKZM160ETD471MHB5D](#) [EPA-201ELL151MM25S](#) [NCD681K10KVY5PF](#) [NRLF103M25V35X20F](#)  
[KM4700/16](#) [KME50VB100M-8X11.5](#) [RXJ222M1EBK-1625](#) [SG220M1CSA-0407](#) [ES5107M016AE1DA](#) [ESX472M16B](#) [MAL211929479E3](#)  
[40D506F050DF5A](#) [TE1202E](#) [36DA273F050BB2A](#) [KME25VB100M-6.3X11](#) [511D336M250EK5D](#) [511D337M035CG4D](#)  
[515D477M035CG8PE3](#) [052687X](#) [EKMA500ELL4R7ME07D](#) [EKRG100ETC221MF09D](#) [NRE-S560M16V6.3X7TBSTF](#)  
[ERZA630VHN182UP54N](#) [MAL214099813E3](#) [MAL211990518E3](#) [MAL204281229E3](#) [NEV680M35EF](#) [686KXM050M](#) [ERS1VM222L30OT](#)  
[EGW2GM150W16OT](#) [EGS2GM6R8G12OC](#) [EHS2GM220W20OT](#) [ERF1VM222L30OT](#) [ERF1KM151G20OT](#) [EKZE500ELL101MHB5D](#)  
[EKMM251VSN221MP25S](#) [RGA221M1HBK-1016G](#)