

# Hubbell Arc Fault Receptacles

For Commercial and Residential Applications

**HUBBELL**<sup>®</sup>  
Wiring Device-Kellems

## Meets the Latest National Electric Code Requirements for Arc Fault Circuit Interruption

Helps to Protect Against Electrical Fires Originating from Arcing Faults!

### Where is AFCI Protection Required by the NEC?

- |               |                 |               |
|---------------|-----------------|---------------|
| ✓ Bedroom     | ✓ Family Room   | ✓ Dining Room |
| ✓ Living Room | ✓ Closet        | ✓ Parlor      |
| ✓ Library     | ✓ Laundry Areas | ✓ Kitchen     |
| ✓ Sunroom     | ✓ Rec Room      | ✓ Den         |



### Yearly Electrical Incidents

- > 47,000 Fires
- > 400 Deaths
- > 1,600 Injuries
- > \$1.4B in Damages

### What are Typical Causes of Arc Faults?

- Damaged Wiring
- Pinched Cord
- Broken Plugs
- Overheating
- Loose Connections
- Aged/Worn Conductors



Housing



Hotel



University Dorm



Healthcare Facility



Residential

# Hubbell Arc Fault Receptacles

## For Commercial and Residential Applications

### ORDERING INFORMATION

Description	Color	15 Amp	20 Amp
Outlet Branch Circuit	Black	<b>AFR15TRBK</b>	<b>AFR20TRBK</b>
Arc Fault Receptacle with	Brown	<b>AFR15TR</b>	<b>AFR20TR</b>
Tamper-Resistant Outlets	Gray	<b>AFR15TRGY</b>	<b>AFR20TRGY</b>
20A 125V Feed Through	Ivory	<b>AFR15TRI</b>	<b>AFR20TRI</b>
and LED Indicator	Light Almond	<b>AFR15TRLA</b>	<b>AFR20TRLA</b>
	White	<b>AFR15TRW</b>	<b>AFR20TRW</b>
Outlet Branch Circuit AFCI	Ivory	—	<b>AFR20BFI</b>
Blank Face - LED Indicator	White	—	<b>AFR20BFW</b>



### NATIONAL ELECTRIC CODE


2011 NEC 210.12(A) "Where required all 15A or 20A 120V branch circuits in dwelling units that supply outlets to family rooms, dining rooms, living rooms, parlors, libraries, dens, bedrooms, sunrooms, recreation rooms, closets, hallways or similar areas must be protected by a listed AFCI device of the combination type." There are (2) exceptions noted below:

- (1) AFCI can be branch circuit type located at the first outlet if circuit conductors installed in RMC, IMC, EMT or Type MC or steel armored Type AC cable and AFCI device is contained in a metal outlet or box.
- (2) Where a listed metal or nonmetallic conduit or tubing is encased in not less than 2 inches of concrete for the portion of the branch circuit between the branch-circuit overcurrent device and the first outlet, an outlet branch-circuit AFCI at the first outlet is permitted to provide protection for the remaining portion of the branch circuit.

(B) Branch circuit extensions or modifications – dwelling units. Where branch-circuit wiring is modified, replaced, or extended in any of the areas specified in 210.12(A), the branch circuit must be protected by a listed combination AFCI located at the origin of the branch circuit; or a listed outlet branch circuit AFCI located at the first receptacle outlet of the existing branch circuit"

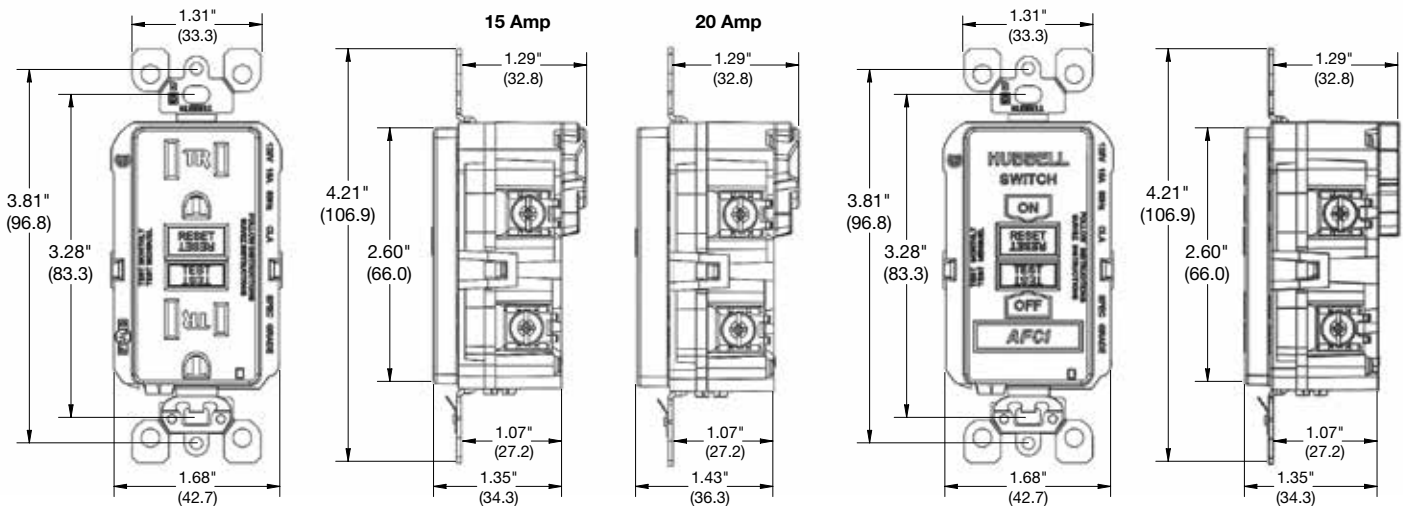
2014 NEC 406.4(D) "Requirements for replacement receptacles where a receptacle outlet is supplied by a branch circuit that requires arc-fault circuit interrupter protection [210.12(A)], a replacement receptacle at this outlet must be one of the following: (1) A listed outlet branch circuit type arc-fault circuit interrupter receptacle; (2) A receptacle protected by a listed outlet branch circuit code arc-fault circuit interrupter code receptacle; (3) A receptacle protected by a listed combination type arc-fault circuit interrupter type circuit breaker."

### SPECIFICATIONS

Ratings		Certifications		Construction	
Amperage	15 Amp/20 Amp	UL 1699A	E366570	Termination	Back and Side
Feed-thru	20 Amp Protection	UL 498	Receptacle	Terminal	#14-10 AWG
Voltage	120V AC (+10% to 15%) (102V to 132V)	UL Fed Spec	WC-596	Grounding	Self-Grounding Clip
Horsepower	(1) @ Rated Voltage	CSA Standard	C22.2 No. 42	Indicators	Power & Rev Wire
Flammability	Rated V2 per UL 94	CSA Tech	Letter No. M-02A	Configuration	2 Pole, 3 Wire
Operating Temperature	(-35°C to 66°C) or (-30°F to 150°F)	NEMA	WD-6	NEMA	5-15R, 5-20R
		 Tamper Resistant			
		NEC 406.11; 210.52 – All 15 & 20A 125V, Receptacles shall be listed Tamper-Resistant for dwelling installations.			

The Hubbell "AFR" series meets all requirements for an outlet branch-circuit type AFCI; protects branch circuit wiring and extensions to branches such including appliances and cord sets.

### DIMENSIONS



## X-ON Electronics

Largest Supplier of Electrical and Electronic Components

*Click to view similar products for [hubbell](#) manufacturer:*

Other Similar products are found below :

[CFB7TALU](#) [03301045](#) [02216024](#) [03301047](#) [5369VY](#) [5461](#) [WSS1P](#) [00322005LPK50](#) [01304055](#) [M001SG000](#) [M001SG00P](#) [M11MSP](#)  
[01301013](#) [02201005](#) [02202008](#) [02203007](#) [02203064](#) [02206012](#) [02211003](#) [02211019](#) [02402005](#) [02406006](#) [02407008](#) [CS6360C](#) [CS6370](#)  
[7310](#) [MCMA14110](#) [FF3I](#) [PF2004PA005](#) [PFOLT312](#) [PH2003PA010](#) [PH2304PB050](#) [PH6598W](#) [9308](#) [GFR5352IA](#) [GFR5362WTR](#)  
[GFR8300SNAPBKNA](#) [PM3004PA015](#) [PS05GYKIT](#) [HBL13R12D](#) [HBL16LEDR](#) [HBL18201WCN](#) [HBL20GBA612IV](#) [HBL20IG606GY](#)  
[HBL23007](#) [HBL2430SR2](#) [HBL2441](#) [HBL24GB506IV](#) [HBL2510](#) [HBL2510SW](#)