

## D-SUB sleeve housings - VS-15-T-2PG11 - 1688052


Please be informed that the data shown in this PDF Document is generated from our Online Catalog. Please find the complete data in the user's documentation. Our General Terms of Use for Downloads are valid (<http://phoenixcontact.com/download>)



D-SUB sleeve housing, shell size 2, IP67 degree of protection



### Key Commercial Data

Packing unit	5 pc
Minimum order quantity	5 pc
GTIN	 4 017918 179687
Weight per Piece (excluding packing)	38.29 g
Custom tariff number	85472000
Country of origin	Germany
Note	Made to Order (non-returnable)

### Technical data

#### General data

Degree of pollution	2
---------------------	---

#### Standards and Regulations

Flammability rating according to UL 94	V0
--	----

### Classifications

#### eCl@ss

eCl@ss 4.0	27140816
eCl@ss 4.1	27260701
eCl@ss 5.0	27260701
eCl@ss 5.1	27260701
eCl@ss 6.0	27261203
eCl@ss 7.0	27440290
eCl@ss 8.0	27440202

# D-SUB sleeve housings - VS-15-T-2PG11 - 1688052

## Classifications

### eCl@ss

eCl@ss 9.0	27440202
------------	----------

### ETIM

ETIM 2.0	EC000437
ETIM 3.0	EC000437
ETIM 4.0	EC000437
ETIM 5.0	EC000437

### UNSPSC

UNSPSC 6.01	31261501
UNSPSC 7.0901	31261501
UNSPSC 11	31261501
UNSPSC 12.01	31261501
UNSPSC 13.2	31261501

## Accessories

### Accessories

#### Coding element

Coding profile - CP-HCC 4 - 1600027

Coding profile, Number of positions: 1, Color: red



---

## Data plug

D-SUB EMC inner sleeve - VS-15-TI-2EMV - 1688065



D-SUB EMC inner sleeve, shell size 2, shielded, for sleeve housing VS-15-...

---

## Device marking

## D-SUB sleeve housings - VS-15-T-2PG11 - 1688052

### Accessories

Zack marker strip - ZBN 18:UNBEDRUCKT - 2809128



Zack marker strip, Strip, white, unlabeled, can be labeled with: Plotter, Mounting type: Snap into tall marker groove, for terminal block width: 18 mm, Lettering field: 18 x 5 mm

---

### Pressure nut

D-SUB pressure nut - VS-PG11 (3- 7) - 1688117



D-SUB cap nut with line seal, for conductor diameter of 3 mm ... 7 mm, for sleeve housing VS-15-...

---

D-SUB pressure nut - VS-PG11 (5-10) - 1688104



D-SUB cap nut with line seal, for conductor diameter of 5 mm ... 10 mm, for sleeve housing VS-15-...

---

### Protective cap

Filler plugs - Q-PROT 9/11 - 1670235



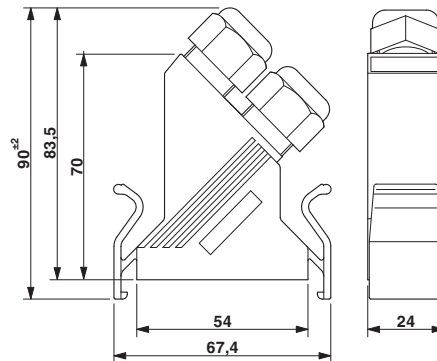
Closing cap for Pg9/Pg11 to close unoccupied connections

---

### Drawings

## D-SUB sleeve housings - VS-15-T-2PG11 - 1688052

Dimensional drawing



D-SUB sleeve housings

## X-ON Electronics

Largest Supplier of Electrical and Electronic Components

*Click to view similar products for [D-Sub Standard Connectors](#) category:*

*Click to view products by [Phoenix Contact](#) manufacturer:*

Other Similar products are found below :

[DCM37S732N](#) [DAM15P500](#) [DEV09S364GTLF](#) [DEM09P032N](#) [DDM50P732N](#) [DAM15S332N](#) [173109-2218](#) [173109-2466](#) [173109-2436](#)  
[173109-2435](#) [56F706-005-LI](#) [56F711-015](#) [015-0341-000](#) [015-0372-008](#) [015-8544-011](#) [017041-0005](#) [020419-0104](#) [012-0515-000](#) [012-9507-](#)  
[034](#) [012-9507-114](#) [012-9534-001](#) [020745-0008](#) [609-25P](#) [M24308/2-23Z](#) [M243082310F](#) [M243082410F](#) [M243082411F](#) [M24308/4-21](#)  
[CT1A18-11PSA206](#) [CT1N36-5SC](#) [CT2-16S-17PS](#) [CT2-20-15PCAU](#) [CT2-24-12PS](#) [CT2-24-28PSF127A206](#) [CT2-32-9PC](#) [CT6F9767-14-4-](#)  
[14S-5PC](#) [CT6FA10SL-4PS](#) [CT7-18-10SC](#) [CT7-18-10SCAU](#) [CT7-18-12SCAU](#) [CT7-18-1PC](#) [CT7-18-1PCAU](#) [CT7-18-21SCAU](#) [M83513/01-](#)  
[FC](#) [M83723/76W24619 L/C](#) [M85049/48-3-2F](#) [69001-865](#) [6STD09PCM99B70X](#) [6STD09SCM99B30X](#) [6STD09SCT99S40X](#)