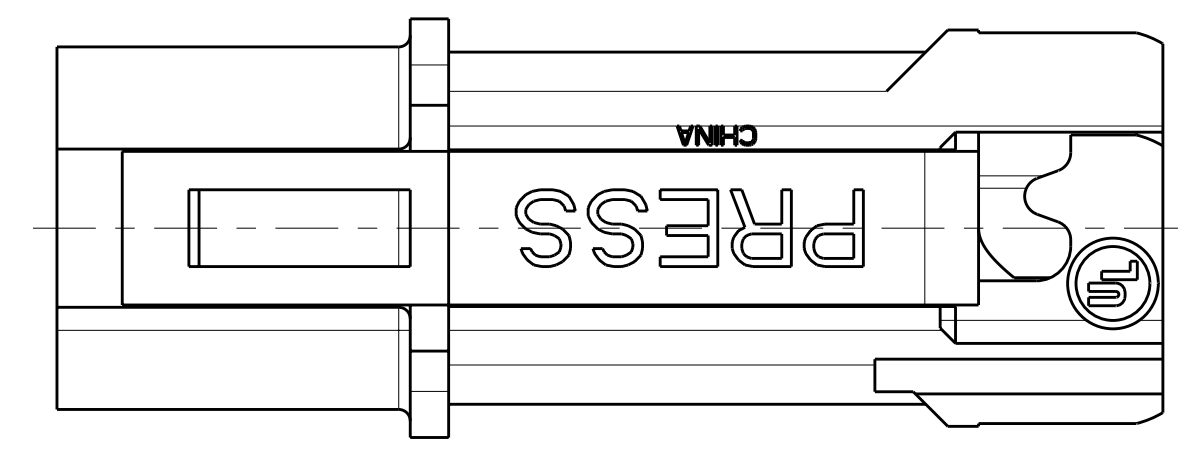
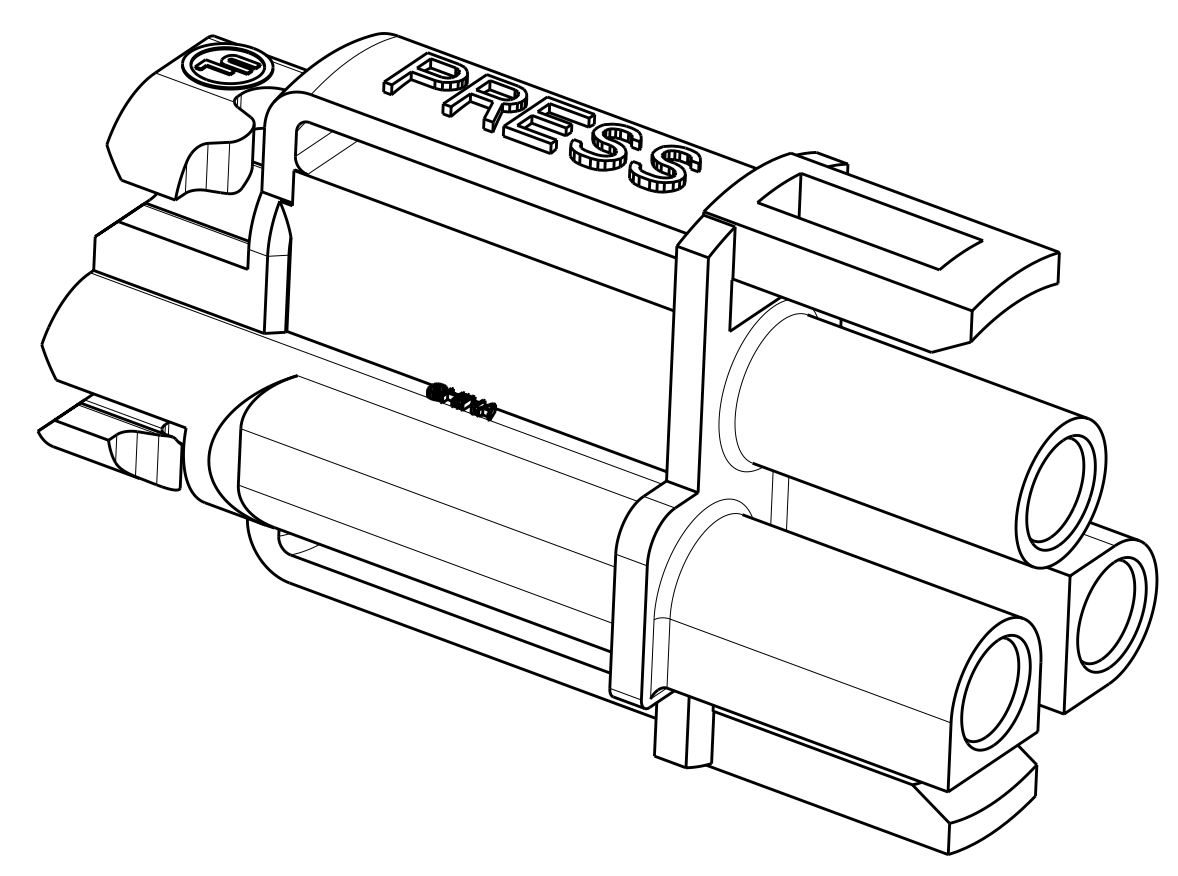


LOC	DIST	REV	DATE	BY	APPD
-	-	B	11 JAN 2010	SS	DD

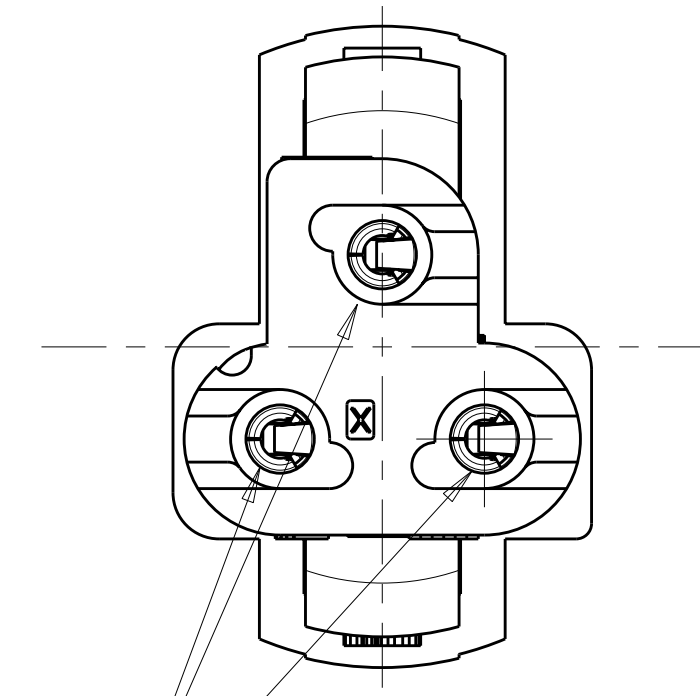
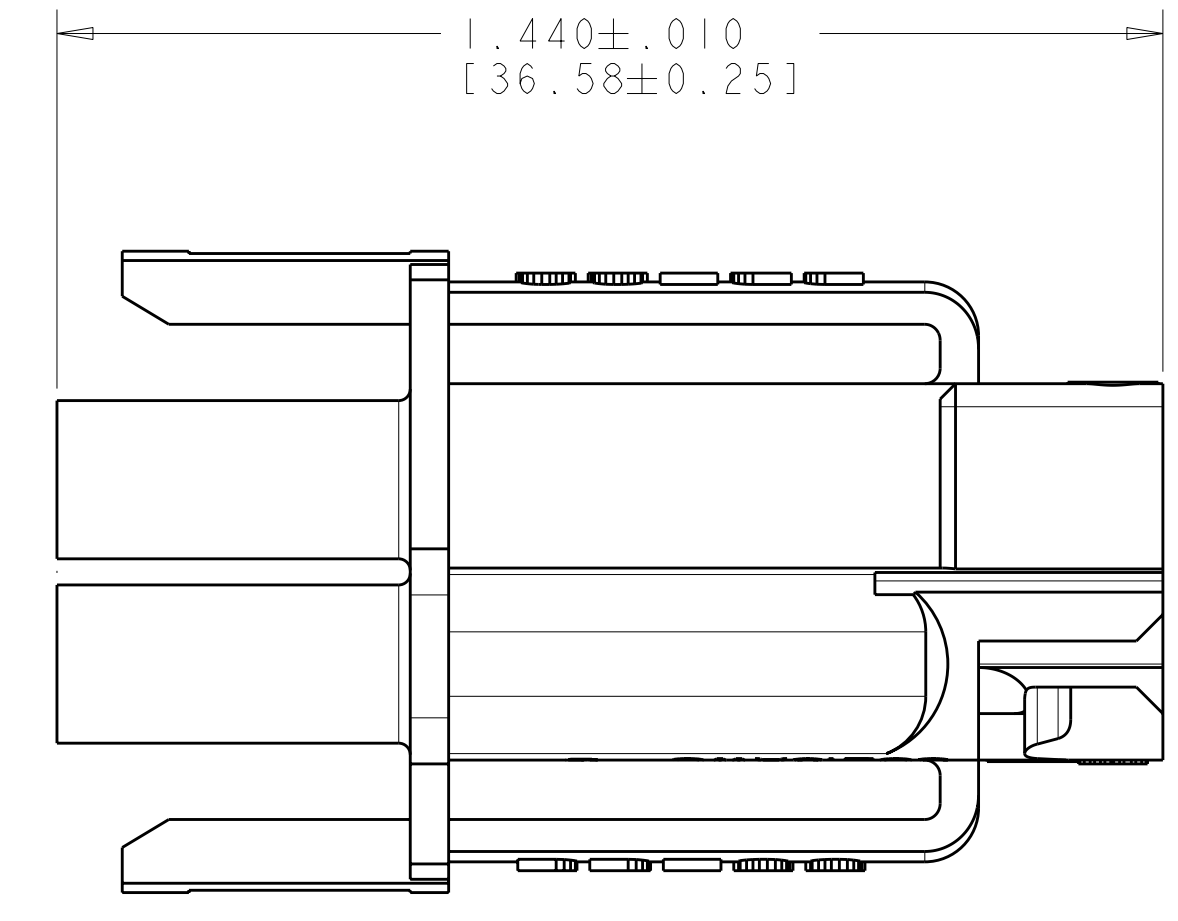
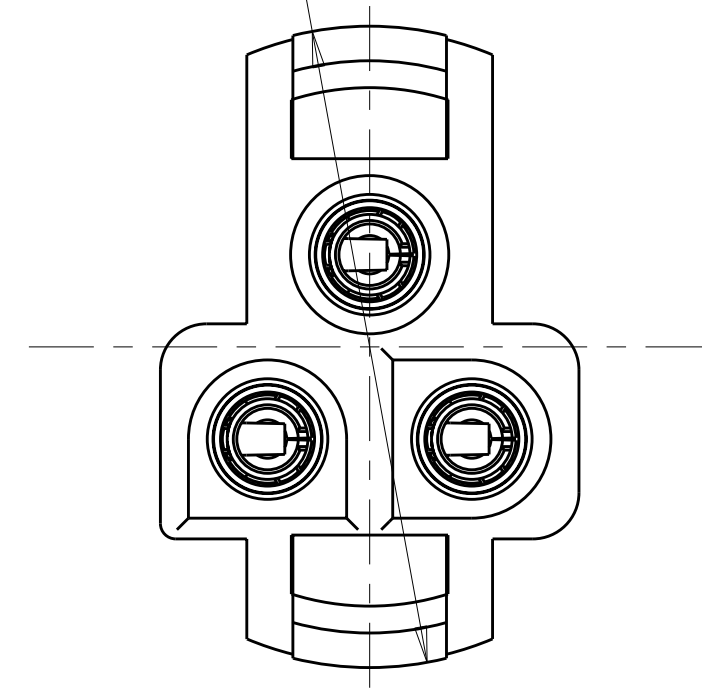
△ MATERIAL:
 HOUSING: THERMOPLASTIC
 CONTACTS: PHOSPHOR BRONZE

△ FINISH:
 CONTACTS: TIN PLATED

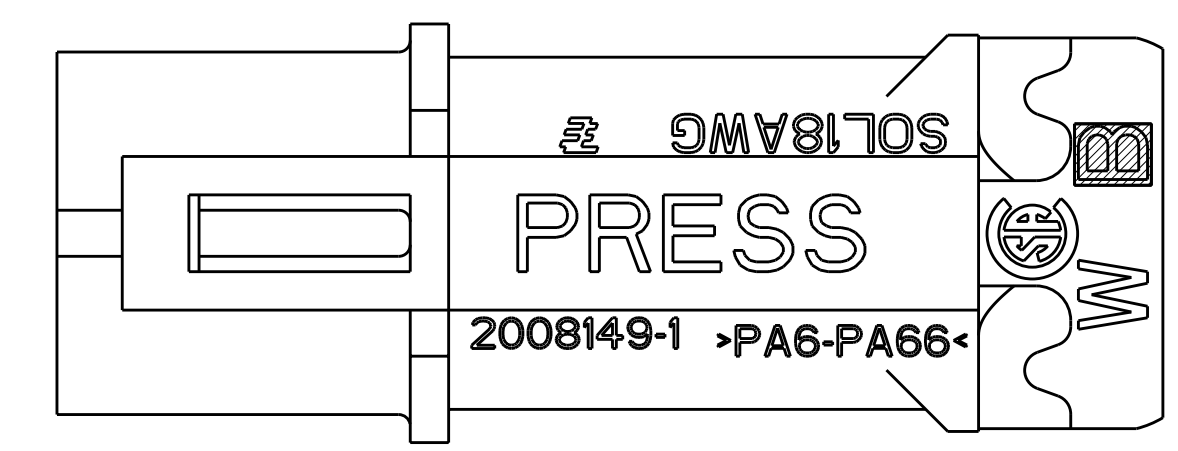
3. SEE INSTRUCTION SHEET: 408-10154



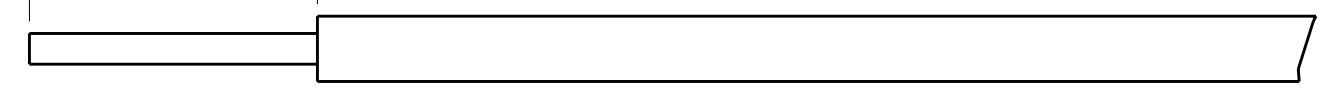
$\varnothing .835 \pm .010$
 [21.21 ± 0.25]



ACCEPTS 18 AWG SOLID WIRE
 WITH .086 [2.18] MAX INSULATION DIAMETER



$.375 \pm .031$
 [9.53 ± 0.78]



RECOMMENDED WIRE STRIP

COLOR	REMARKS	PART NUMBER
NATURAL	UNMARKED	2008149-4
ORANGE	UNMARKED	2008149-3
ORANGE	UNMARKED	2008149-2
NATURAL	MARKED	2008149-1

PROPOSED DESIGN
 THIS PRODUCT HAS NOT COMPLETED VALIDATION TESTING
 DESIGN IS SUBJECT TO CHANGE WITHOUT NOTICE

DIMENSIONS: IN		TOLERANCES UNLESS OTHERWISE SPECIFIED: 9 PLC ± 8 PLC ± 5 PLC ± 4 PLC ± ANGLES ±		DWN C. DAILY 20APR2007 CHK J. LANDIS 20APR2007 APVD -	Tyco Electronics Harrisburg, PA 17105-3608
MATERIAL: △		FINISH: △		PRODUCT SPEC 108-2275 APPLICATION SPEC 114-13207 WEIGHT -	NAME ASSEMBLY, PLUG, 3 POSITION, PT LIGHT-N-LOK SIZE CAGE CODE DRAWING NO RESTRICTED TO A 100779 C=2008149 -
CUSTOMER DRAWING				SCALE 4:1	SHEET 1 OF 1 REV B

X-ON Electronics

Largest Supplier of Electrical and Electronic Components

Click to view similar products for [Pin & Socket Connectors](#) category:

Click to view products by [TE Connectivity](#) manufacturer:

Other Similar products are found below :

[6450822-1](#) [770392-1](#) [794042-1](#) [796885-1](#) [8-794535-1](#) [881459-2](#) [R929993003](#) [1-350779-3](#) [1403611-1](#) [1-480349-5](#) [152302-5](#) [1586092-1](#)
[1586129-1](#) [1586487-1](#) [1586681-4](#) [1586700-1](#) [1586065-1](#) [1586077-1](#) [1586368-1](#) [1586380-1](#) [1586616-1](#) [1586680-5](#) [1586681-2](#) [1604996-1](#)
[16-06-0038](#) [164164-5](#) [1-6609930-1](#) [172296-1](#) [1-794714-6](#) [19-09-2035](#) [1969804-1](#) [200503-1](#) [200788-2](#) [201046-7](#) [202648-4](#) [2029076-2](#)
[2029090-4](#) [2029095-4](#) [2-66102-6](#) [925061-7](#) [926681-1](#) [293734-4](#) [293737-2](#) [1-765362-4](#) [1-794606-3](#) [1871534-1](#) [1969795-1](#) [1969798-1](#)
[1969800-1](#) [200833-4](#)