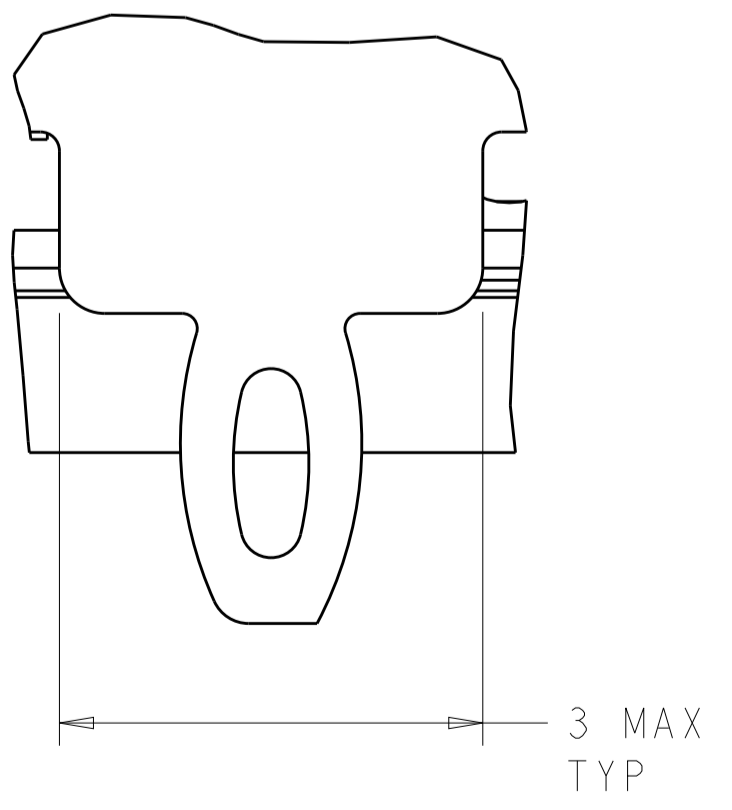
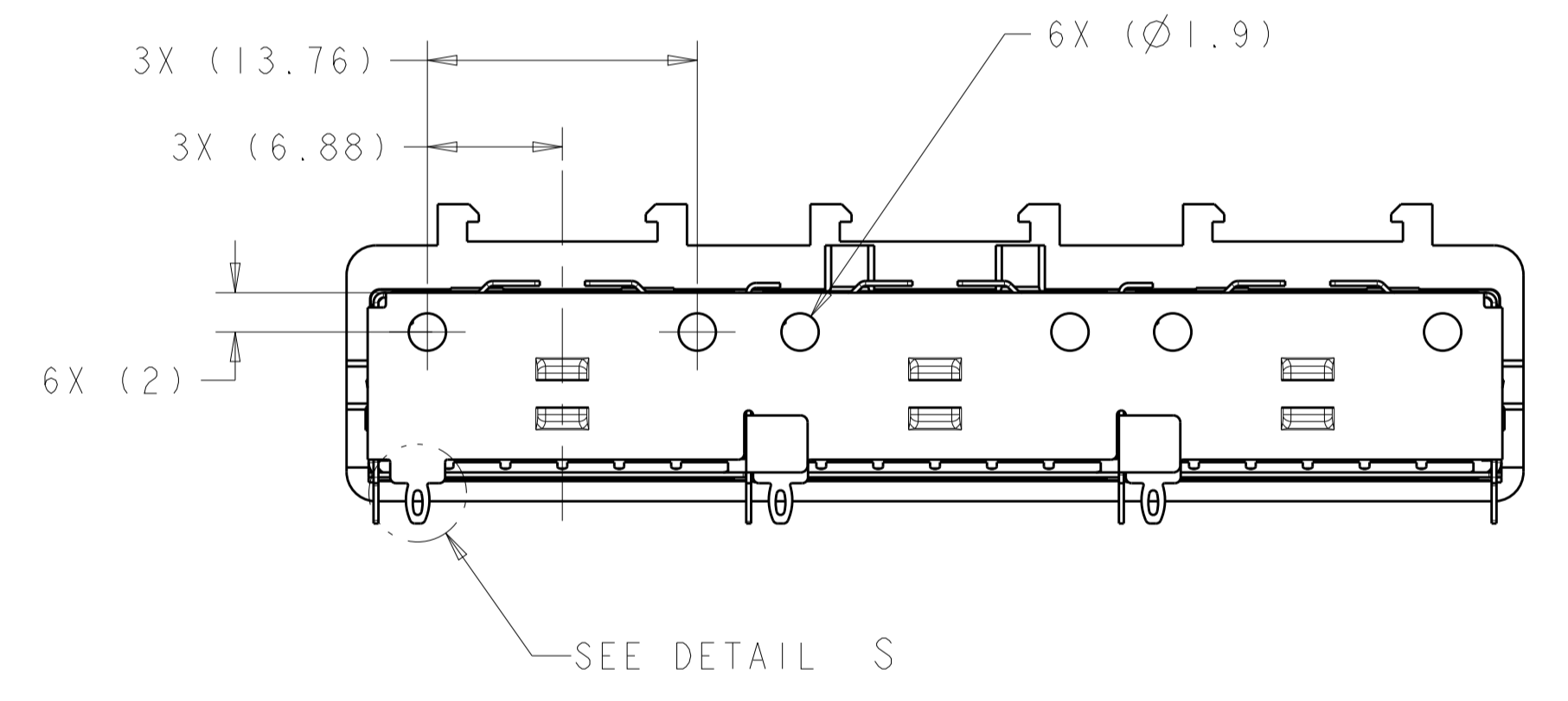
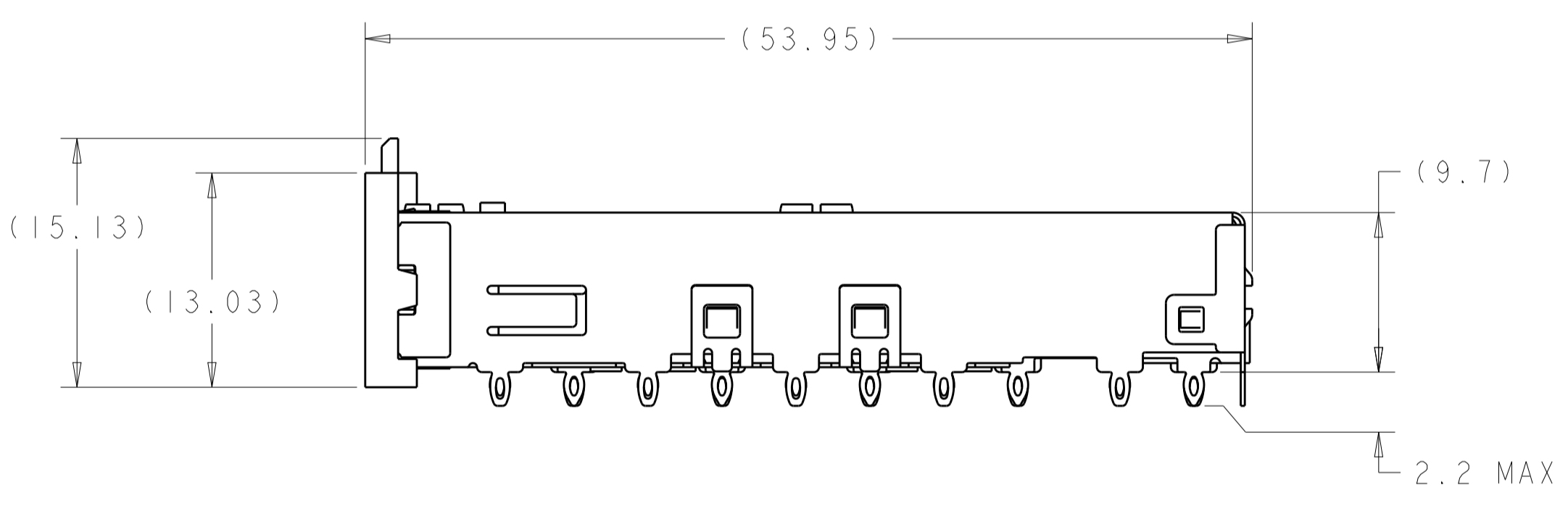
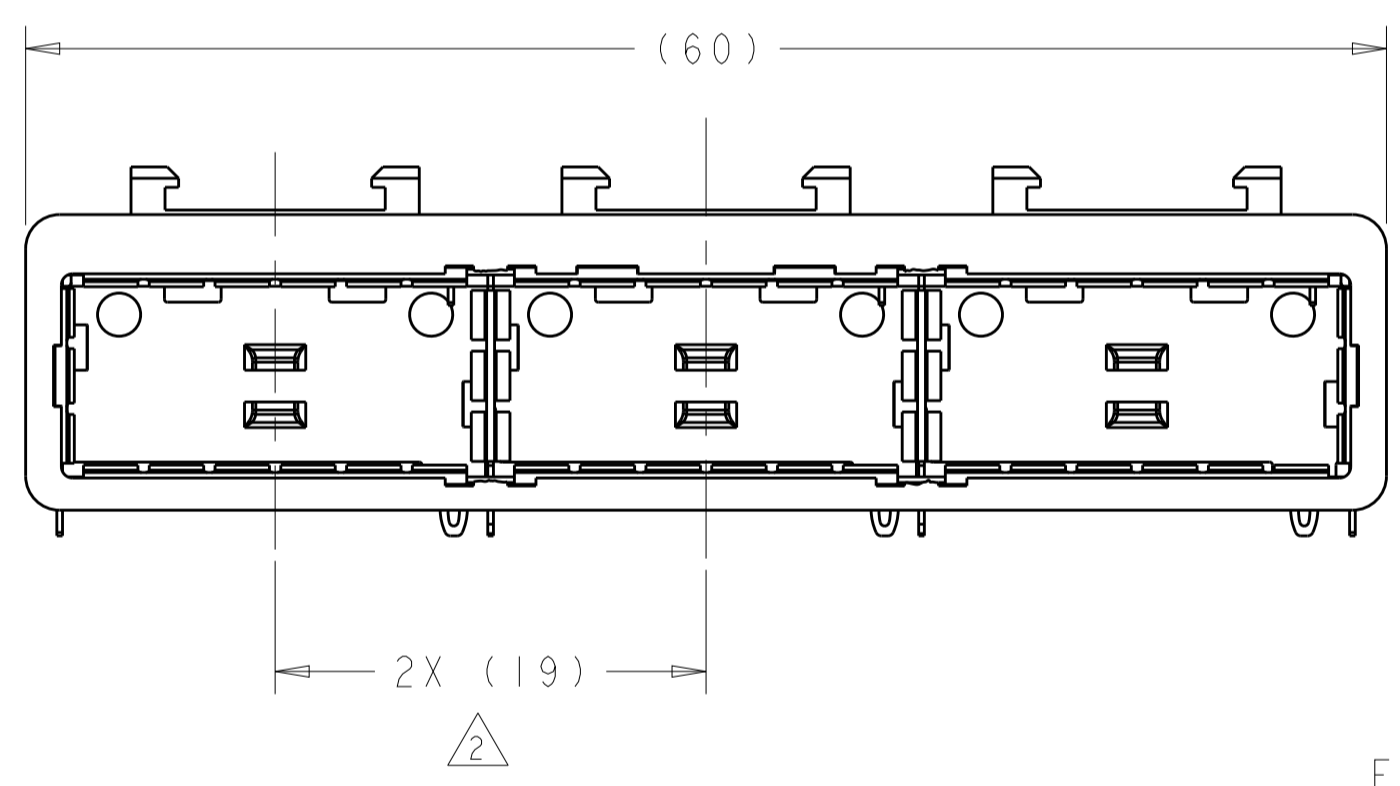
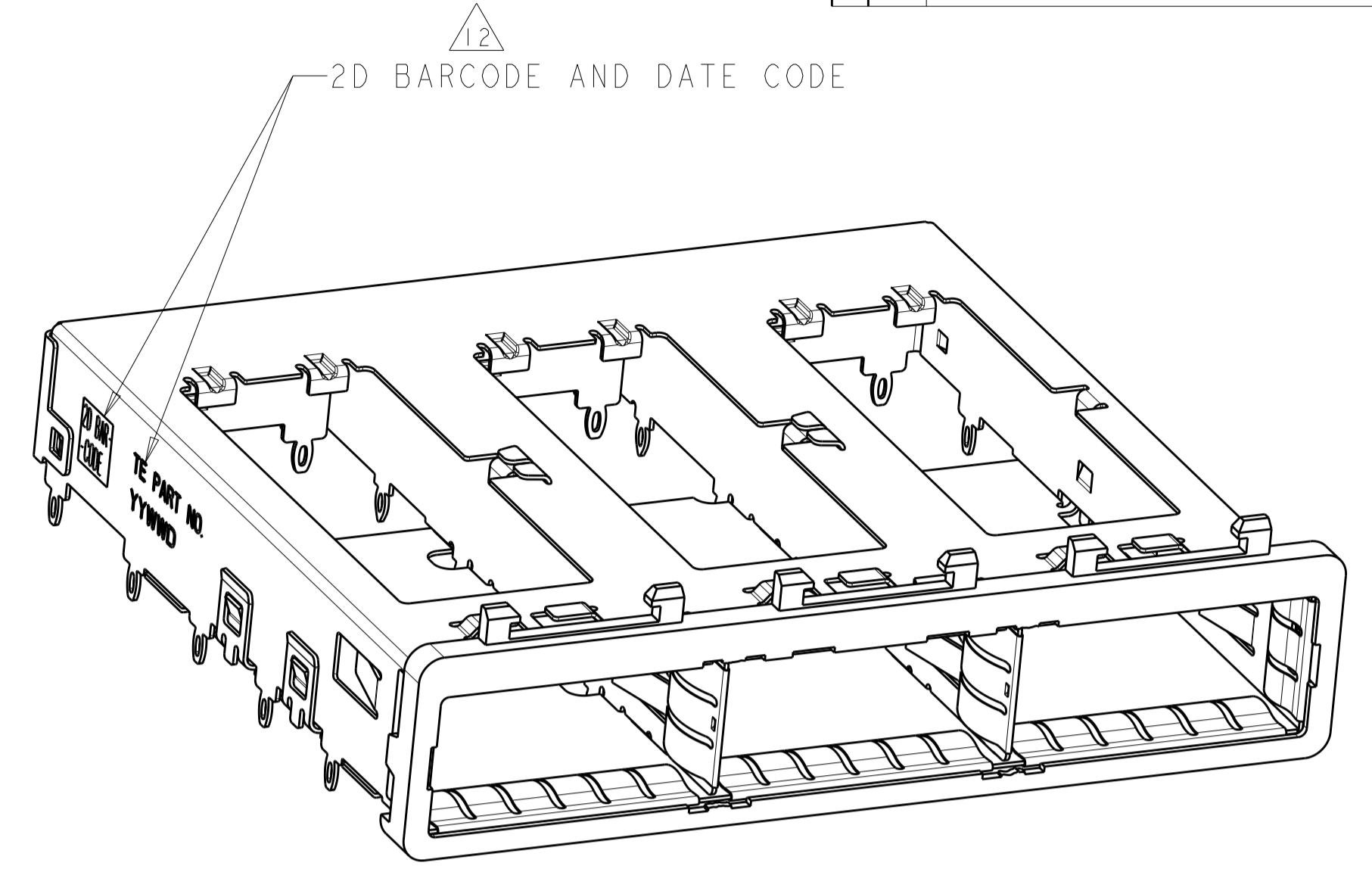
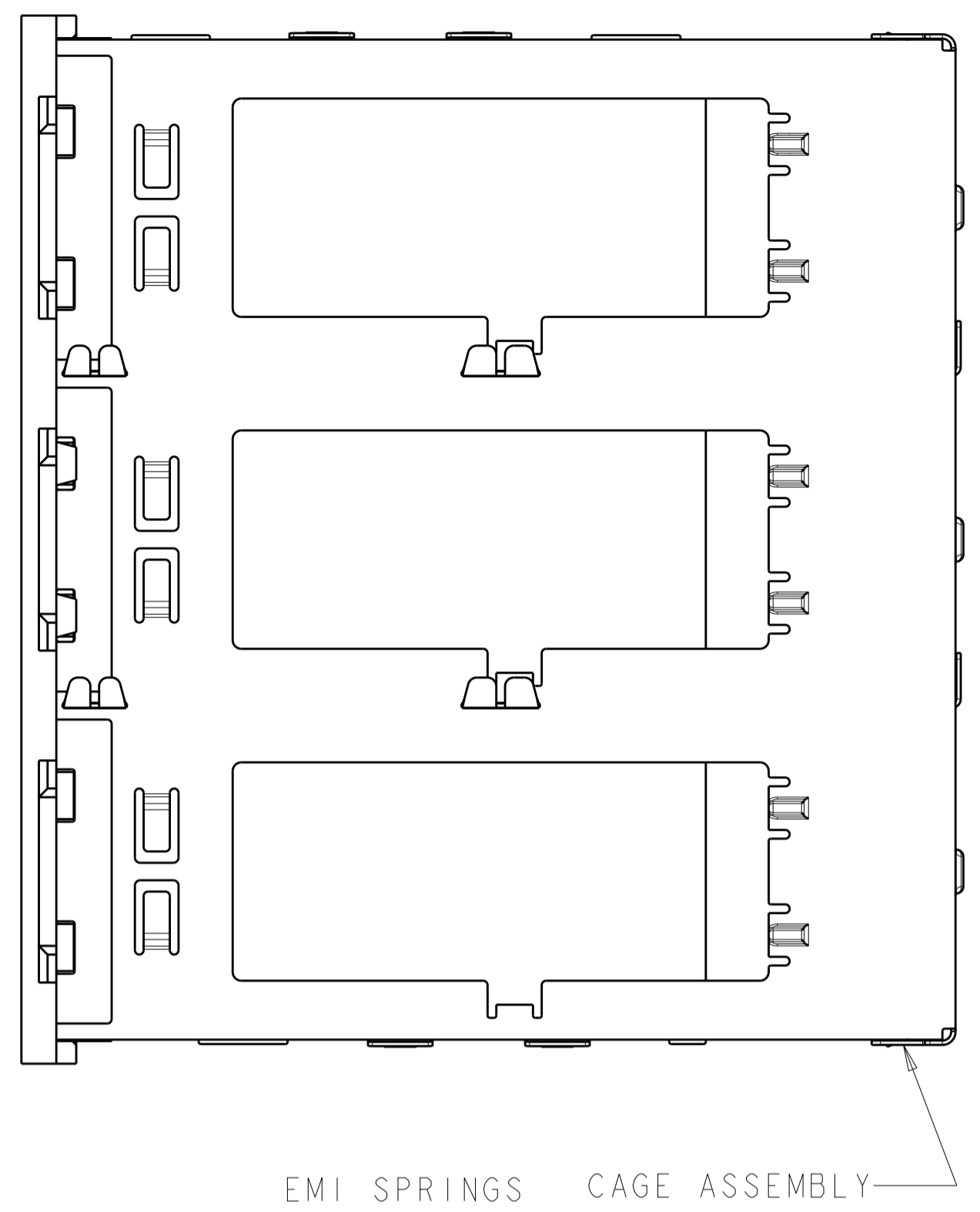
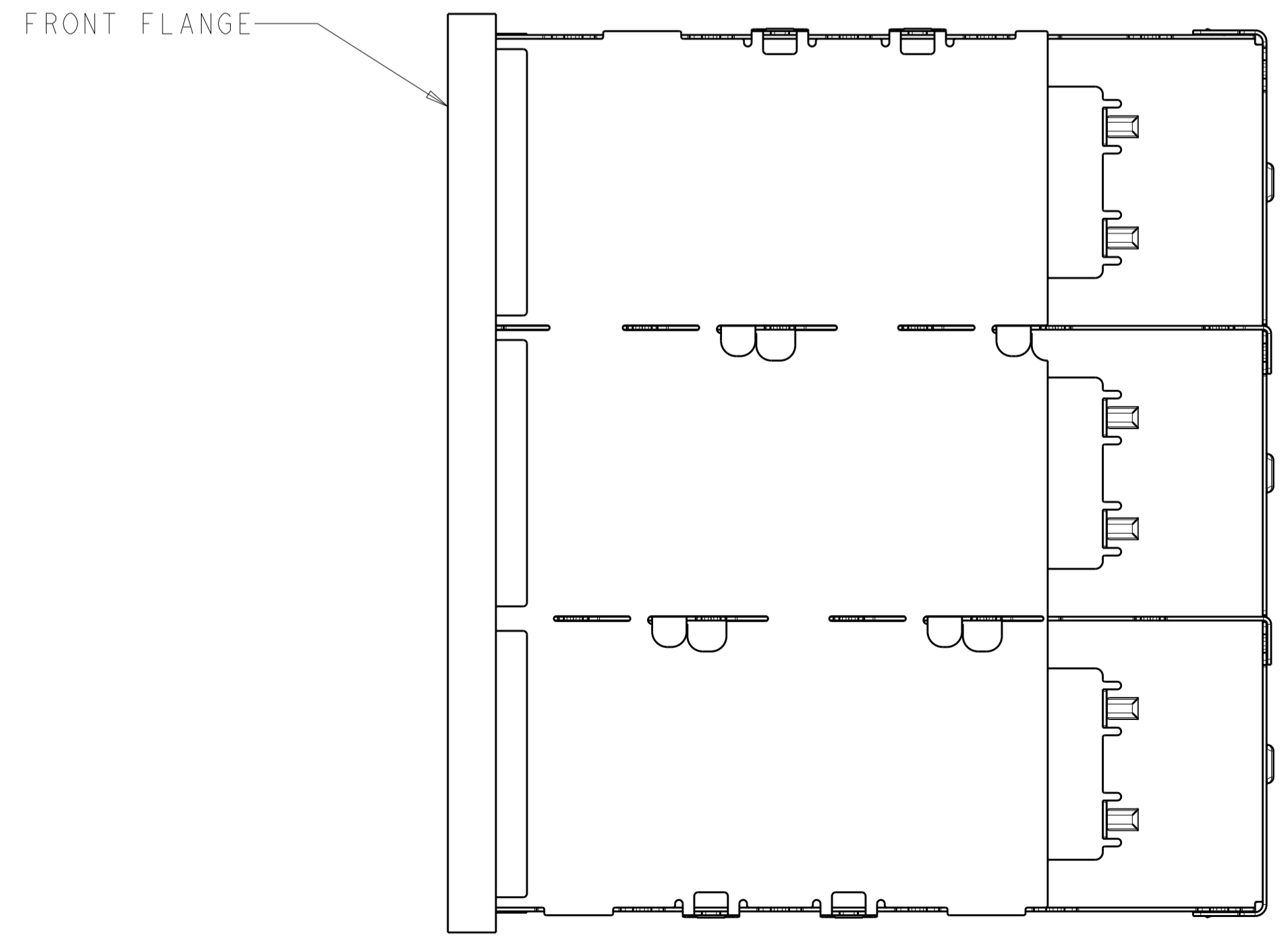


REVISIONS				
P.	LTN.	DESCRIPTION	DATE	APVD.
D		REVISED PER ECO-15-000148	24FEB2015	RG MC

- 1 SURFACE TRACES PERMITTED WITHIN THIS AREA EXCEPT WHERE CAGE STANDOFFS, SHOWN IN DETAIL S, CONTACT PC BOARD.
- 2 PITCH BETWEEN PORTS OF ONE 1X3 CAGE ASSEMBLY.
- 3 SPACING BETWEEN CAGES ON THE SAME PC BOARD, TO BE SPECIFIED BY CUSTOMER, MUST COMPLY WITH MINIMUM DIMENSIONS SHOWN.
- 4 REFERENCE APPLICATION SPEC 114-13218 FOR RECOMMENDED DRILL HOLE DIAMETER AND PLATING THICKNESS.
- 5 UNPLATED THRU HOLE.
- 6 DATUMS AND BASIC DIMENSIONS ESTABLISHED BY CUSTOMER.
- 7 DATUM -A- IS TOP SURFACE OF PC BOARD.
- 8 DIMENSION C IS THE NOMINAL THICKNESS OF CUSTOMER SUPPLIED PC BOARD.
 MINIMUM PC BOARD THICKNESS:
 SINGLE SIDED = 1.45mm
 DOUBLE SIDED = 2.2mm PER QSFP
- 9. MATES WITH QSFP MSA COMPATIBLE TRANSCEIVER.
- 10 BASELINE FOR THESE DIMENSIONS IS THE CENTER OF COMPLIANT PIN HOLE.
- 11 LED ON HOST BOARD. QUANTITY, POSITION AND GEOMETRY DEPENDS ON CHOICE OF LIGHT PIPES.
- 12 2D BARCODE AND DATE CODE (YYWW) MARKED APPROXIMATELY AS SHOWN.
- 13 REFERENCE APP SPEC 114-13218 FOR GASKET THICKNESS CALCULATION.
- 14 MATERIAL:
 CAGE ASSEMBLY: NICKEL SILVER, 0.25 THICK
 EMI SPRINGS: COPPER ALLOY
 FRONT FLANGE: ZINC ALLOY.
- 15 FINISH:
 EMI SPRINGS: 2µm MINIMUM TIN
 FRONT FLANGE: 3µm MINIMUM TIN OVER 1.27µm MINIMUM NICKEL OVER 5.08µm MINIMUM COPPER.



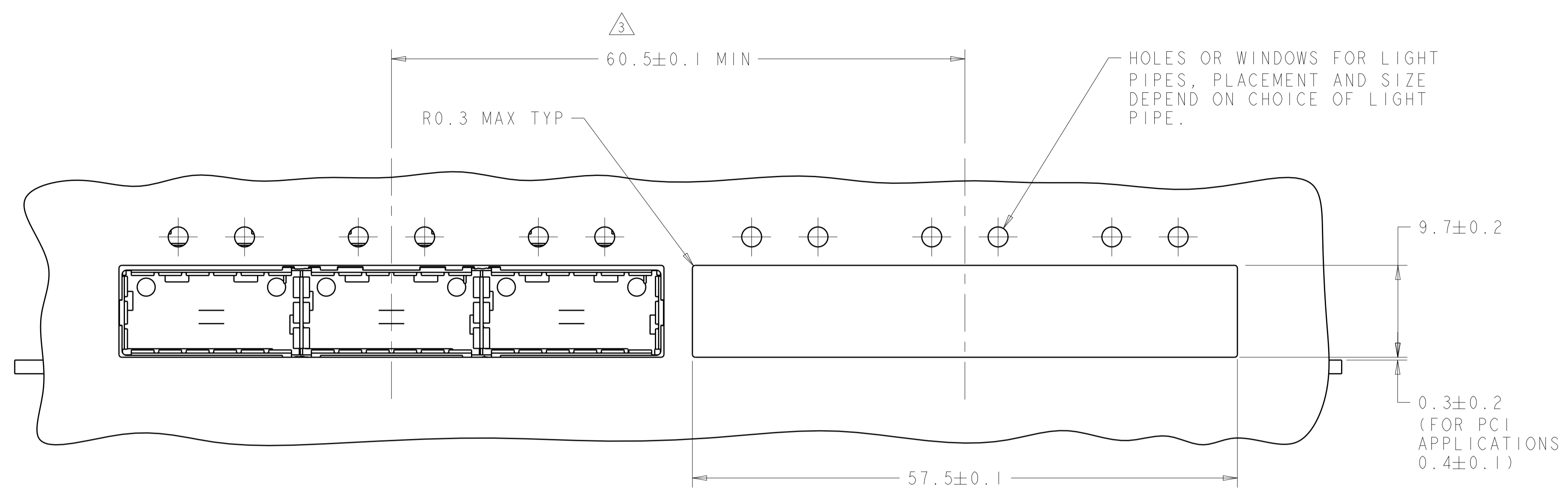
DETAIL S
 SCALE 20:1



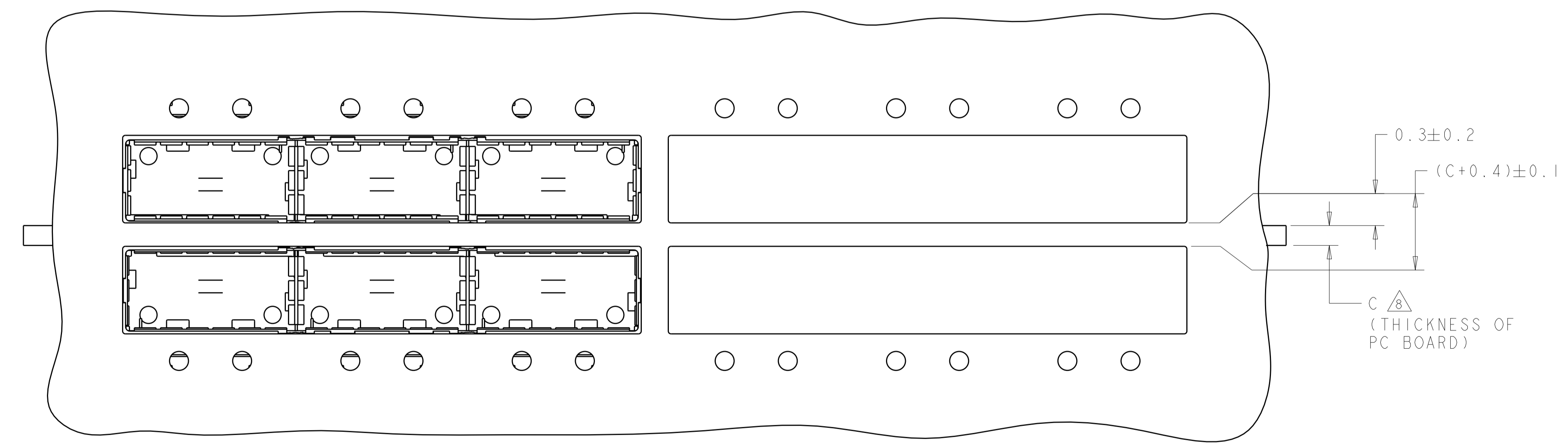
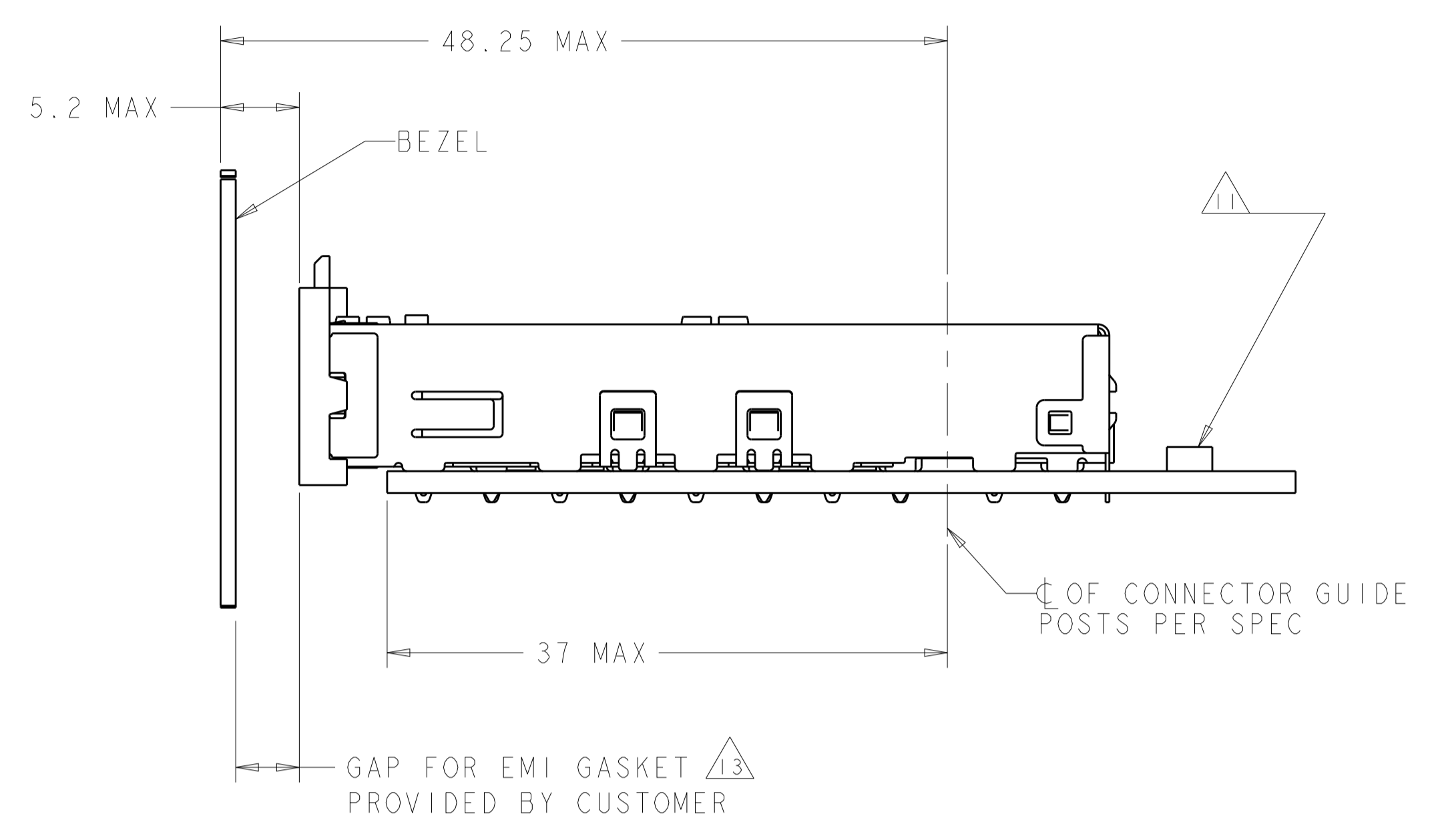
2007473-1
 PART NUMBER

THIS DRAWING IS A CONTROLLED DOCUMENT.		DWN: C. VALENTIN 21NOV2007	TE Connectivity
DIMENSIONS: mm		CHK: E. BRIGHT 21NOV2007	
TOLERANCES UNLESS OTHERWISE SPECIFIED:		APVD: E. BRIGHT 21NOV2007	NAME: 1X3 CAGE ASSEMBLY, W/ LIGHT PIPE BRACKET, BEHIND BEZEL, QSFP PRODUCT SPEC: 108-2286 APPLICATION SPEC: 114-13218
0 PLC	±	RESTRICTED TO	
1 PLC	±0.1	SIZE: A1	CAGE CODE: 00779 DRAWING NO: C=2007473 CUSTOMER DRAWING
2 PLC	±0.1	SCALE: 3:1	
3 PLC	±0.013	SHEET: 1	OF: 4 REV: D
4 PLC	±0.0001	WEIGHT: -	
ANGLES	±		

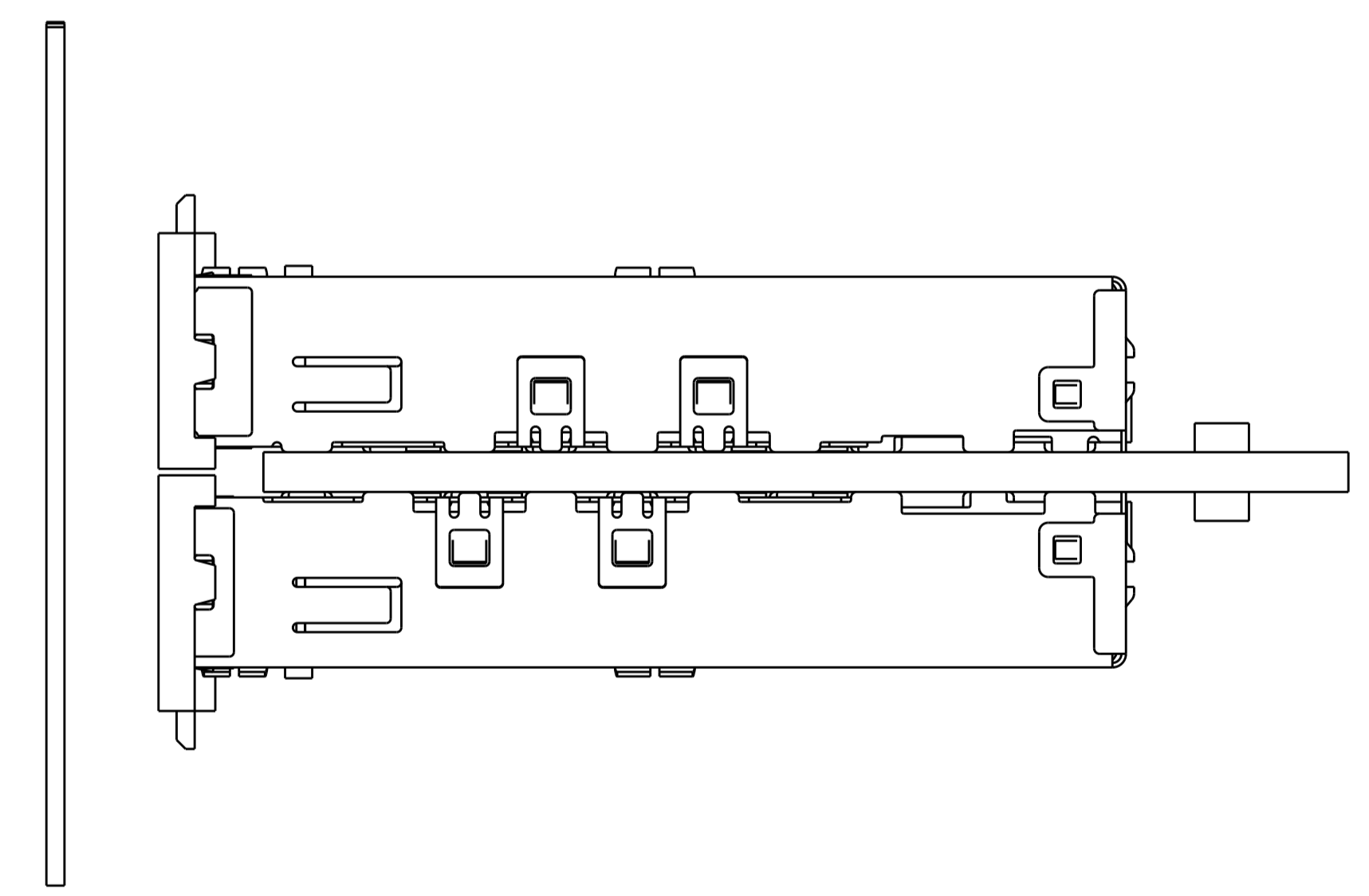
REVISIONS				
P.	LTH	DESCRIPTION	DATE	OWN APVD
-	-	SEE SHEET 1	-	-



ONE SIDED CONFIGURATION
 SCALE 3:1



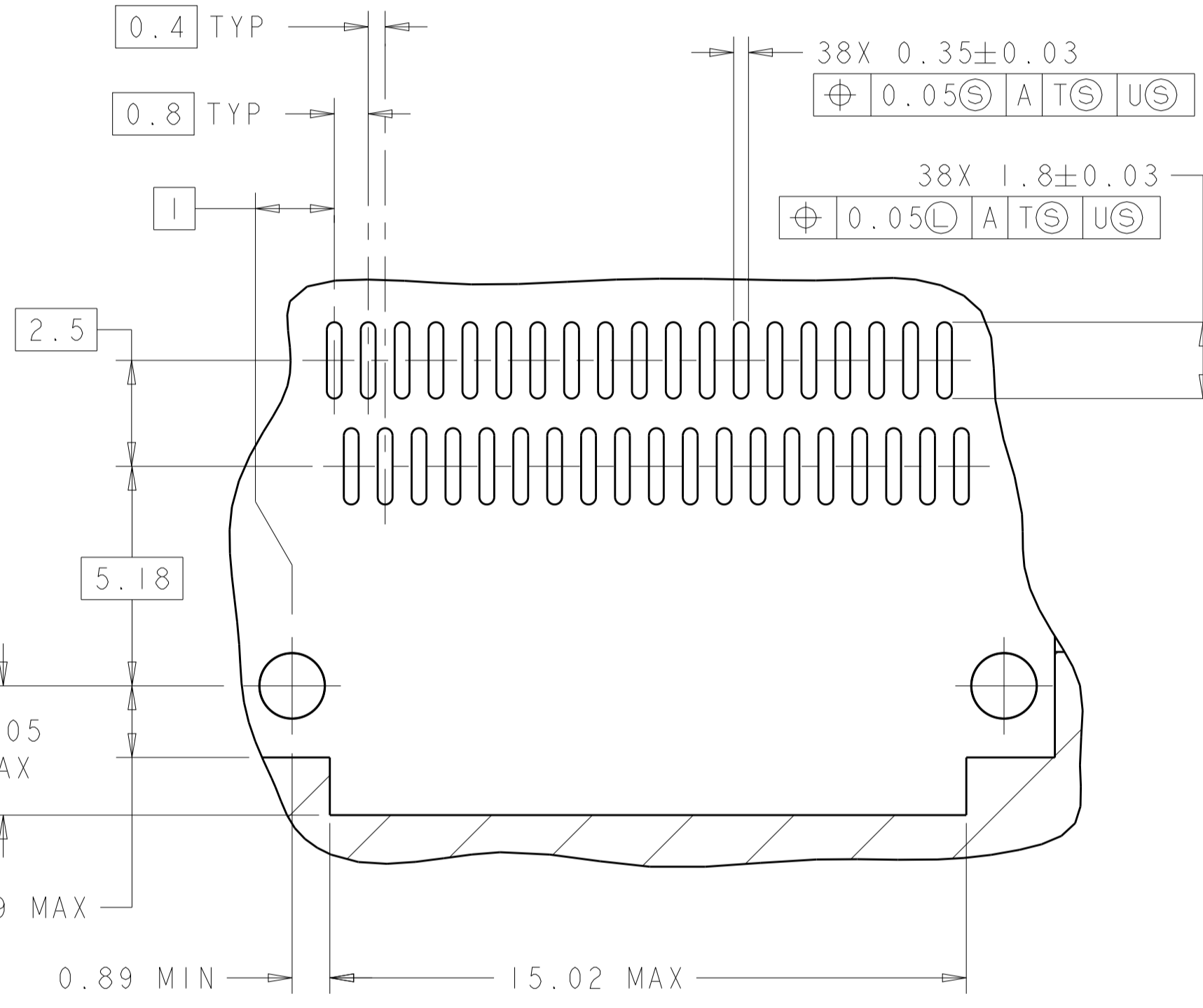
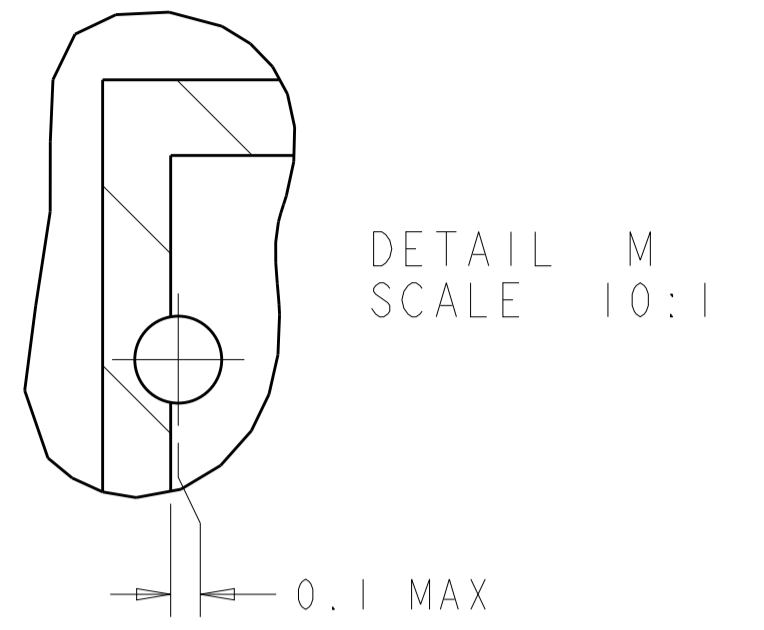
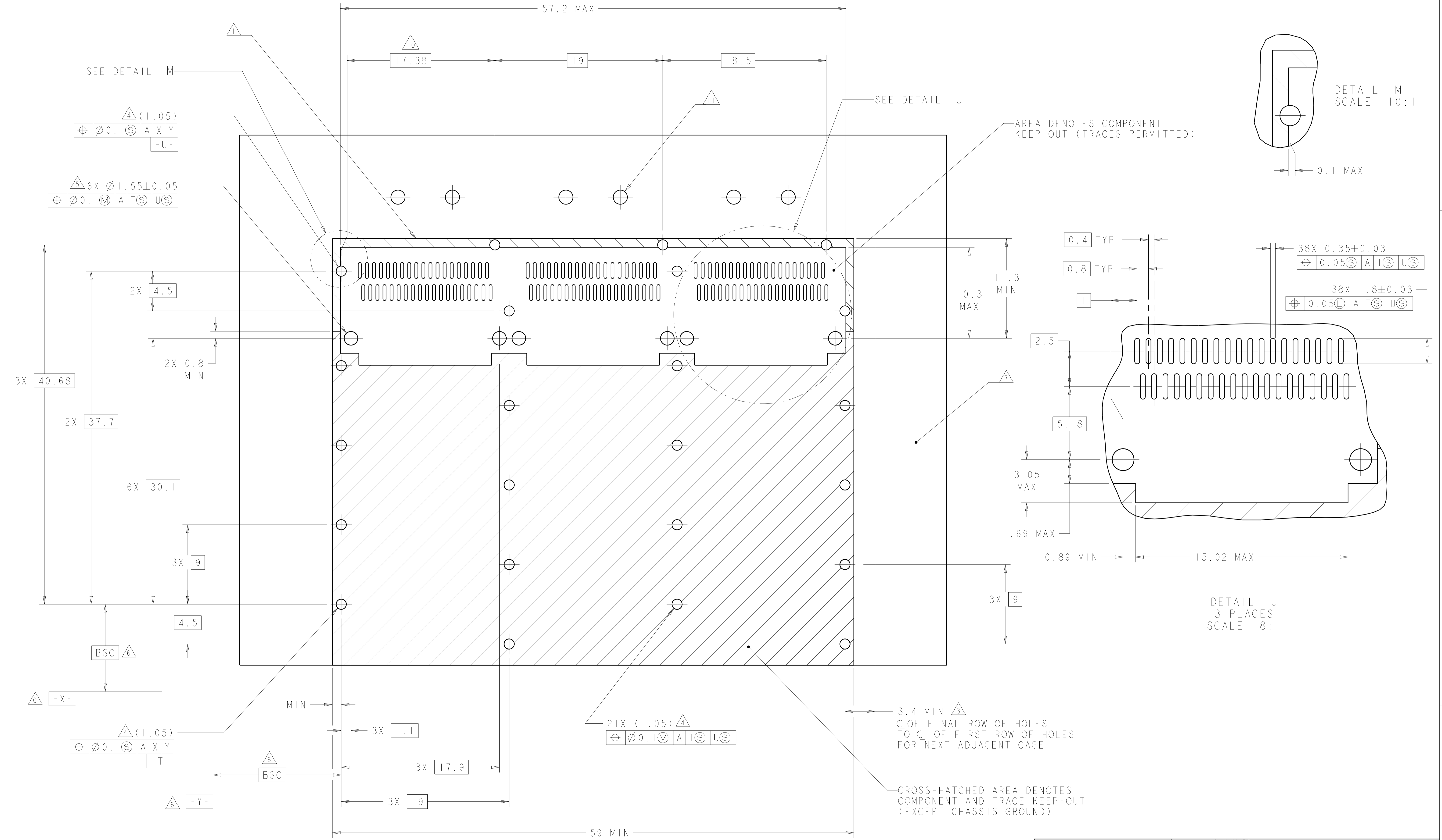
BELLY TO BELLY CONFIGURATION SIMILAR TO ONE SIDED EXCEPT WHERE NOTED
 SCALE 3:1



THIS PRODUCT HAS NOT COMPLETED VALIDATION/QUALIFICATION TESTING

THIS DRAWING IS A CONTROLLED DOCUMENT.		OWN: C. VALENTIN 21NOV2007	TE Connectivity
DIMENSIONS: mm		CHK: E. BRIGHT 21NOV2007	
		APVD: F. BRIGHT 21NOV2007	NAME: IX3 CAGE ASSEMBLY, W/ LIGHT PIPE BRACKET, BEHIND BEZEL, QSFP
TOLERANCES UNLESS OTHERWISE SPECIFIED:		PRODUCT SPEC: 108-2286	APPLICATION SPEC: 114-13218
0 PLC ± 1 PLC ±0.1 2 PLC ±0.1 3 PLC ±0.013 4 PLC ±0.0001 ANGLES ±		SIZE: 114-13218	RESTRICTED TO: -
MATERIAL: TBD	FINISH: -	WEIGHT: -	A100779C=2007473
CUSTOMER DRAWING		SCALE: 3:1	SHEET 2 OF 4 REV D

REVISIONS				
P.	LTN.	DESCRIPTION	DATE	APVD.
-	-	SEE SHEET 1	-	-

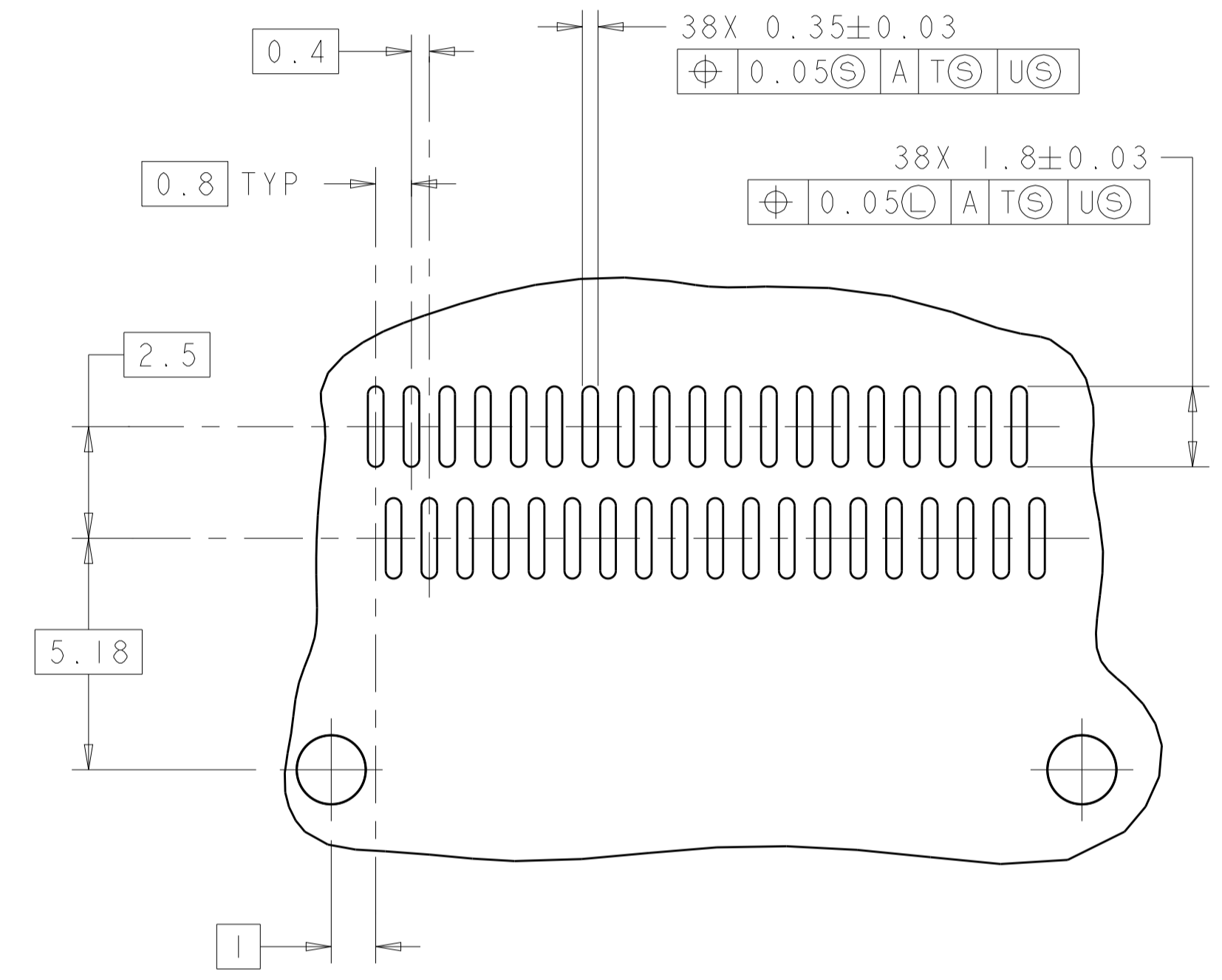
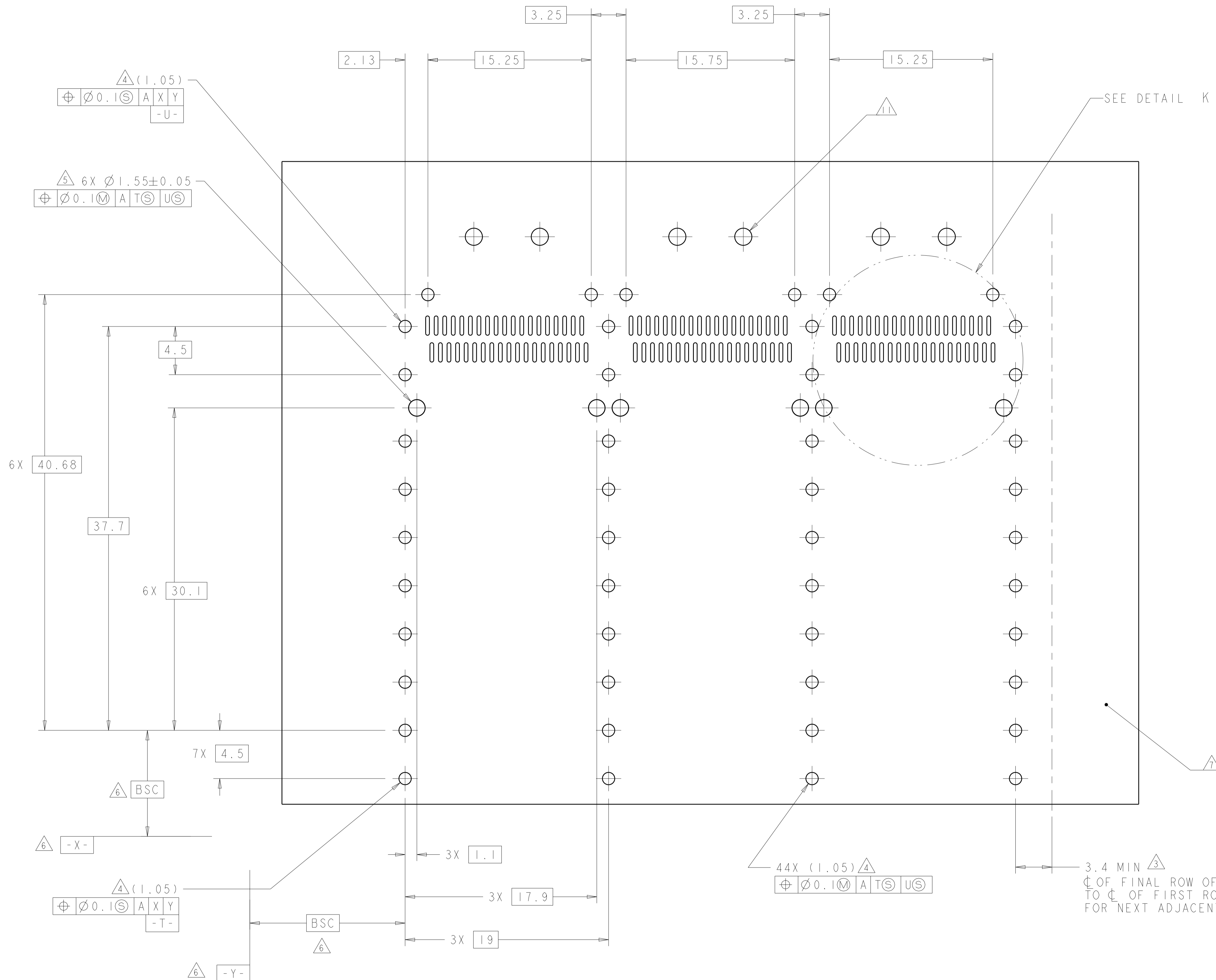


RECOMMENDED PC BOARD LAYOUT
 SINGLE SIDE MOUNT CONFIGURATION
 SCALE 5:1

THIS PRODUCT HAS NOT COMPLETED VALIDATION/QUALIFICATION TESTING

THIS DRAWING IS A CONTROLLED DOCUMENT.		DWN C. VALENTIN	Z1NOV2007	STE TE Connectivity
DIMENSIONS: mm		CHK E. BRIGHT	Z1NOV2007	
TOLERANCES UNLESS OTHERWISE SPECIFIED:		APVD E. BRIGHT	Z1NOV2007	NAME 1X3 CAGE ASSEMBLY, W/ LIGHT PIPE BRACKET, BEHIND BEZEL, QSFP
0 PLC ±0.1		PRODUCT SPEC		108-2286
1 PLC ±0.1		APPLICATION SPEC		114-13218
2 PLC ±0.013		WEIGHT		-
3 PLC ±0.001		CUSTOMER DRAWING		SCALE 3:1 SHEET 3 OF 4 REV D
ANGLES ±0.0001		MATERIAL TBD		SIZE A100779C=2007473

REVISIONS				
P.	LTN.	DESCRIPTION	DATE	APVD.
-	-	SEE SHEET 1	-	-



DETAIL K
 3 PLACE
 SCALE 8:1

RECOMMENDED PC BOARD LAYOUT
 BELLY TO BELLY CONFIGURATION
 SEE SHEET 3 FOR COMPONENT AND TRACE KEEP-OUTS
 SCALE 5:1

THIS PRODUCT HAS NOT COMPLETED VALIDATION/QUALIFICATION TESTING

THIS DRAWING IS A CONTROLLED DOCUMENT.		DWN C. VALENTINE 21NOV2007 CHK E. BRIGHT 21NOV2007 APVD E. BRIGHT 21NOV2007	STE TE Connectivity	
DIMENSIONS: mm 	TOLERANCES UNLESS OTHERWISE SPECIFIED: 0 PLC ± 1 PLC ±0.1 2 PLC ±0.1 3 PLC ±0.013 4 PLC ±0.0001 ANGLES ±0.0001	NAME 1X3 CAGE ASSEMBLY, W/ LIGHT PIPE BRACKET, BEHIND BEZEL, QSFP PRODUCT SPEC 108-2286 APPLICATION SPEC 114-13218 WEIGHT - CUSTOMER DRAWING	SIZE CAGE CODE DRAWING NO. A100779C=2007473 RESTRICTED TO	SCALE 3:1 SHEET 4 OF 4 REV D

X-ON Electronics

Largest Supplier of Electrical and Electronic Components

Click to view similar products for [I/O Connectors](#) category:

Click to view products by [TE Connectivity](#) manufacturer:

Other Similar products are found below :

[571763P](#) [58098-0628](#) [61-168618-12P](#) [D38999/20FJ29SB L/C](#) [72.250.1628.2](#) [72.250.2428.2](#) [74720-0505](#) [747680210](#) [76.350.0729.0](#) [76871-1403](#) [FCN-244F080-G/1](#) [FCN-260A9920](#) [FCN-268D024-G/2F#10X-R10](#) [MP-5T180MUNNA-005](#) [MP-5XRJ45UNNB-003](#) [PCS-E50FA](#) [PCS-XE26LKA](#) [PCS-XE26MA+](#) [PCS-XES68MS+](#) [G38A71314B](#) [91-569719-35R](#) [9776-18-6](#) [DX40-50P\(55\)](#) [1571250010](#) [157-22500-3](#) [MS3471L14-19P L/C](#) [171224-6031](#) [1888020-8](#) [91-569786-35H](#) [91-569786-35M](#) [91-644626-35P](#) [172501-4002](#) [172501-6002](#) [FCN-260C008-A/L0](#) [FCN-260C024-AL0](#) [FCN-268D008-G/1K](#) [2000314-1](#) [200331-1](#) [2007498-2](#) [PCR-E28LMDAG1+](#) [PCR-E36FC+](#) [PCS-E28FS+](#) [PCS-XE26SLFD+](#) [PCS-XE26SLFDT+](#) [G38A71214B](#) [HDRA-E68W1LFDTC-SL+](#) [HDR-E14MSG1+](#) [R88A-CNK81S](#) [CRT1-ATT02](#) [54182-0605](#)