

LOC	DIST	REVISIONS					
E	B	P	LTR	DESCRIPTION	DATE	DWN	APVD
		A		FIRST ISSUE	17OCT07	AM	FWK

GROMMET STRIP NOTES

1. MATERIAL - TYPE - LOW DENSITY POLYETHENE
COLOUR - NATURAL

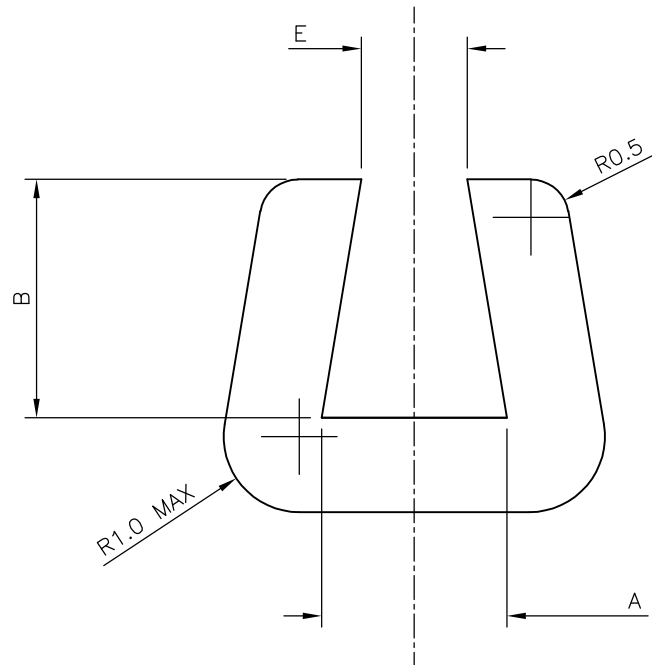
② INDIVIDUAL PACKAGING DETAILS

③ BULK PACKAGING DETAILS

④ NOT RELEASED FOR PRODUCTION

5. FOR TECHNICAL DATA REFER TO YOUR LOCAL TYCO ELECTRONICS SALES OFFICE

6. ALL DIMENSIONS ARE NOMINAL FOR REFERENCE ONLY UNLESS OTHERWISE STATED

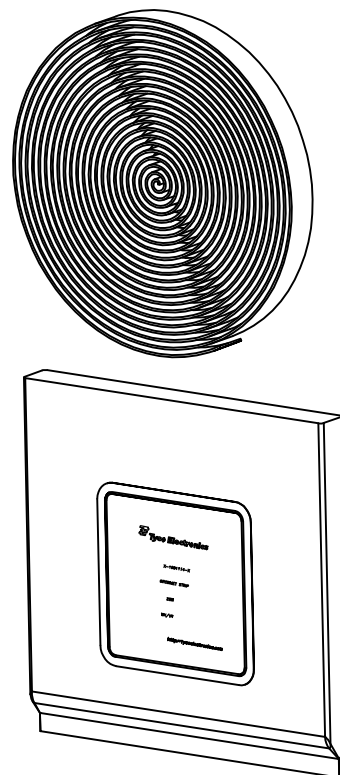


NOTE - MAXIMUM INEQUALITY IN B = 0.25mm

② INDIVIDUAL PACKAGING DETAILS

NOTE

25M COIL PACKAGED IN A 200 GAUGE POLY BAG

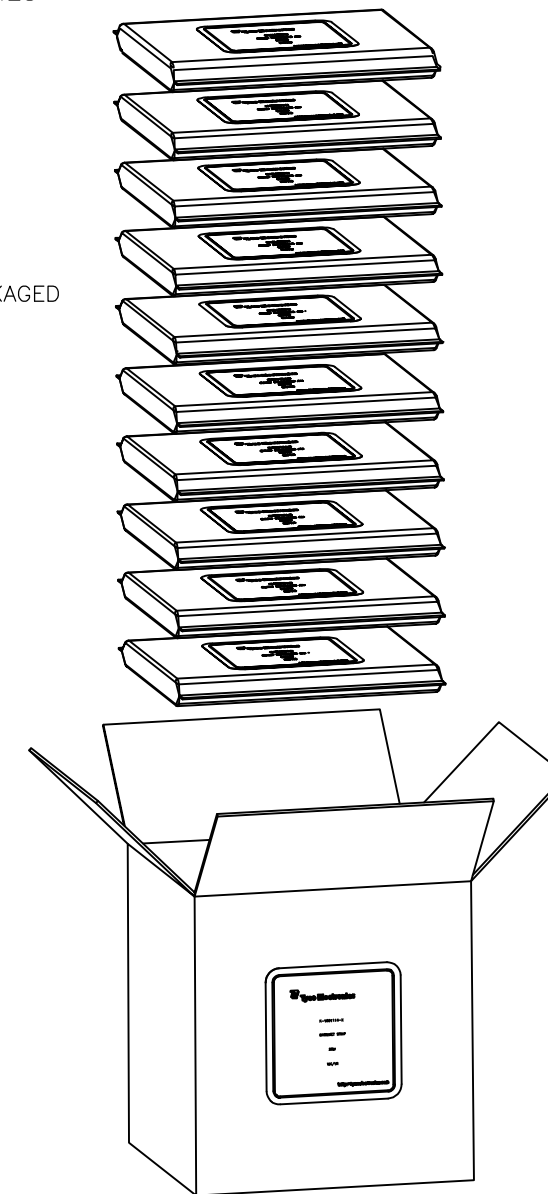


③ BULK PACKAGING DETAILS

NOTE

SIZE 2 IS 20 X 25M COILS PACKAGED
IN A 500mm x 250mm x 200mm BOX

SIZE 3 AND 4 IS 10 X 25M COILS PACKAGED
IN A 500mm x 250mm x 200mm BOX



④	3100g	2.3-2.05	1.4-0.9	1.25-0.75	3.55-2.85	3.6-3.35	④	250m GROMMET STRIP, SIZE 4	-	3-1991136-1
④	2400g	1.4-1.15	1.25-0.75	1.25-0.75	3.15-2.45	2.45-2.05	④	250m GROMMET STRIP, SIZE 3	-	2-1991136-1
④	3600g	1.0-0.8	1.15-0.65	1.15-0.65	2.7-2.0	1.55-1.15	④	500m GROMMET STRIP, SIZE 2	-	1-1991136-1
	310g	2.3-2.05	1.4-0.9	1.25-0.75	3.55-2.85	3.6-3.35	④	25m GROMMET STRIP, SIZE 4	0496	3-1991136-0
	240g	1.4-1.15	1.25-0.75	1.25-0.75	3.15-2.45	2.45-2.05	④	25m GROMMET STRIP, SIZE 3	0495	2-1991136-0
	180g	1.0-0.8	1.15-0.65	1.15-0.65	2.7-2.0	1.55-1.15	④	25m GROMMET STRIP, SIZE 2	0494	1-1991136-0
WEIGHT/COIL (MEAN)	E	D	C	B	A	PACKAGING OPTION	DESCRIPTION	SPECIAL SALES PART No	PART No.	

THIS DRAWING IS A CONTROLLED DOCUMENT.

DIMENSIONS: MM	TOLERANCES UNLESS OTHERWISE SPECIFIED: 0 PLC ± - 1 PLC ± - 2 PLC ± - 3 PLC ± - 4 PLC ± - ANGLES ± -	DWN A.Morey 17OCT07	Tyco Electronics Corporation Bideford, UK, EX39 4HE
	MATERIAL	CHK S.Parlow 18OCT07	
	FINISH	APVD F.Wheeler-King 18OCT07	
		PRODUCT SPEC	
		APPLICATION SPEC	NAME
		WEIGHT	SIZE CAGE CODE DRAWING NO RESTRICTED TO
		CUSTOMER DRAWING	A3 00779 C-1991136
		SCALE 10:1	SHEET 1 OF 1 REV A

X-ON Electronics

Largest Supplier of Electrical and Electronic Components

Click to view similar products for [Wire Identification](#) category:

Click to view products by [TE Connectivity](#) manufacturer:

Other Similar products are found below :

[CU6337-000](#) [CU6342-000](#) [FCA-410-12](#) [11631010](#) [1-1768037-1](#) [1-1768037-2](#) [1-1768050-0](#) [PXLK-VI](#) [Q62184-1](#) [A64304-000](#) [QMT221](#)
[HK032WE1NF038B](#) [1330-0519-10](#) [1395199-1](#) [1395200-1](#) [1395202-1](#) [DMVF050WE-300S6](#) [D-SCE-1K-2.4-50-4-CS7834](#) [1538738-1](#)
[E90935-000](#) [EC1238-000](#) [EC1465-000](#) [EC1855-000](#) [EC1859-000](#) [EC1863-000](#) [EC5415-000](#) [EC7277-000](#) [EC7352-000](#) [EC7603-000](#)
[EC7707-000](#) [EC7735-000](#) [EC7768-000](#) [EC7828-000](#) [EC7854-000](#) [EC7952-000](#) [EC8128-000](#) [1768037-8](#) [1768041-7](#) [NC-127191-10-9](#)
[HS048WE2NF038B](#) [C03232-000](#) [HTCM-SCE-14-4H-9](#) [HTMS-3/16-9](#) [HT-SCE-1/4-2.0-4](#) [HT-SCE-3/16-2.0-4](#) [HTTMS-1/2-1.50-9](#) [HTTMS-](#)
[CM-1/2-4H-9](#) [HX-SCE-19.0-50-9](#) [HX-SCE-6.4-50-4](#) [C25254-000](#)