

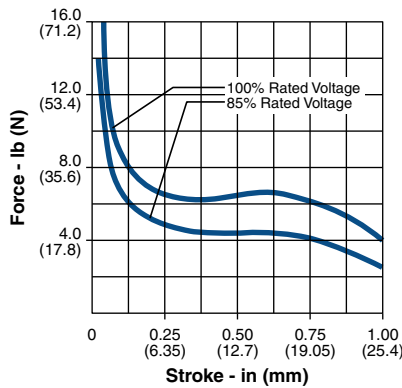
# Dormeyer® Laminate Size 2000 ( $\frac{3}{4}$ " stack) — AC Operation

## Specifications

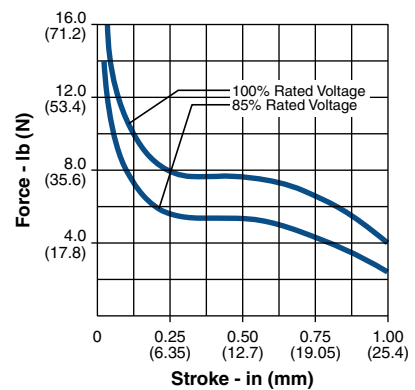
Continuous Duty Cycle	At 20°C ambient temperature
Intermittent Duty Cycle	20% on time, 80% off time. On time not to exceed 3 min. at 20°C ambient temperature
Coil Insulation	Class "F": 155°C max. temperature standard
Coil Termination	1/4" QC
Plunger Variations	See page 39
Average Total Weight	18 oz. (510 g)
Dimensions	See page 39

All catalog products manufactured after April 1, 2006 are RoHS Compliant

### AC Continuous Duty



### AC Intermittent Duty



Duty Cycle	Continuous		Intermittent	
Model	2005-F-34	2006-F-34	2255-F-34	2256-F-34
Volts — 60Hz (50 Hz avail.)	120	240	120	240
Coil Resistance $\pm 10\%$ (Ohms at 25°C)	20.5	82	18.3	73.5
Watts Seated $\pm 10\%$	17.9	17.5	23.5	23.8
Amps Seated $\pm 10\%$	0.43	0.22	0.64	0.32
Amps at $\frac{1}{4}$ " $\pm 10\%$	2.30	1.10	2.80	1.40
Amps at $\frac{1}{2}$ " $\pm 10\%$	3.30	1.60	4.00	2.00
Amps at $\frac{3}{4}$ " $\pm 10\%$	4.10	2.10	5.00	2.60
Amps at 1" $\pm 10\%$	4.90	2.50	6.00	2.90

## NOTES:

- All data is typical.
- Pull values indicated are without plunger weight. Add or subtract 0.27 lbs. (1.2 N) to obtain net pull when operated with or against gravity. Force data:  $\pm 10\%$ .
- All data reflects operation with no heatsink.
- Other coil terminations available.
- All specifications subject to change without notice.

## How to Order

Select the part number from the table provided. (For example, to order a continuous duty cycle unit rated at 120 VAC, specify 2005-F-5.

Please see [www.ledex.com](http://www.ledex.com) (click on Stock Products tab) for our list of stock products available through our distributors.

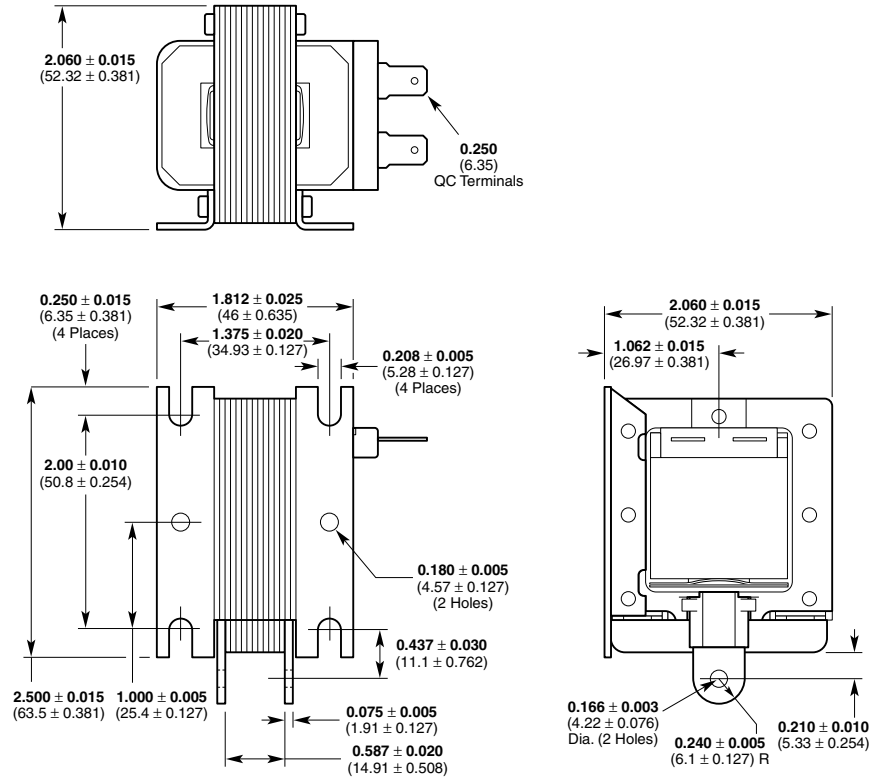
All specifications subject to change without notice.

# Dormeyer® Laminate Dimensions

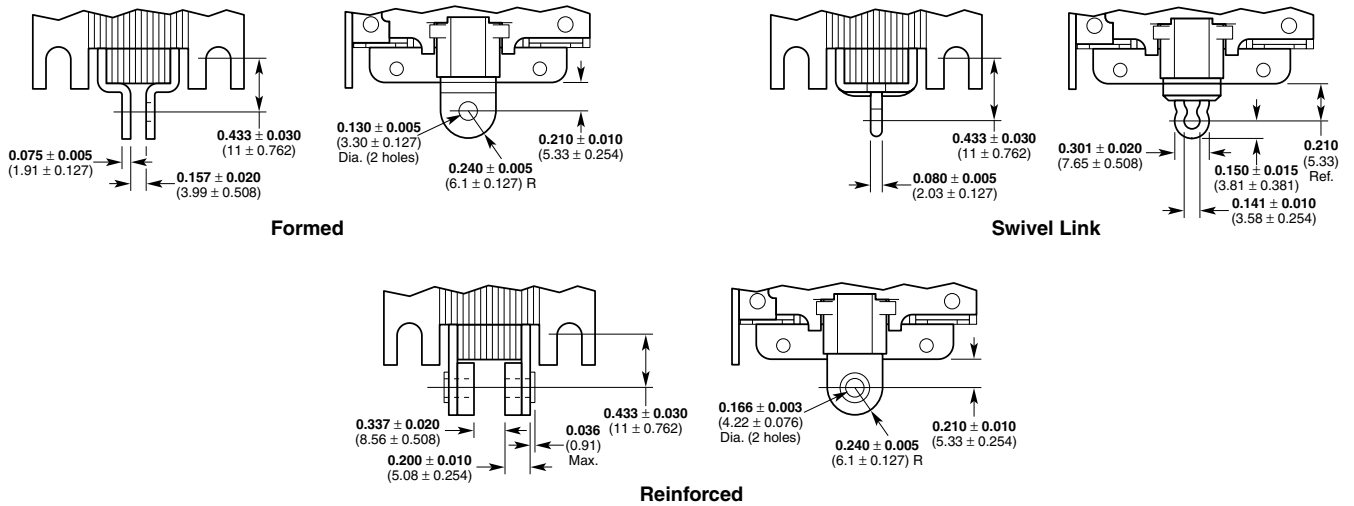
Inches (mm)

All solenoids are illustrated in energized state

## Size 2000 (3/4" Stack)



## Size 2000 (3/4" Stack) Plunger Variations



All specifications subject to change without notice.

## **X-ON Electronics**

Largest Supplier of Electrical and Electronic Components

*Click to view similar products for [dormeyer](#) manufacturer:*

Other Similar products are found below :

[1000-M-1](#) [2005-F-34](#) [3000-M-1](#)