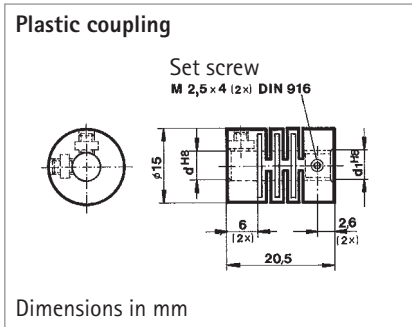


Accessories, Flexible Couplings

Shaft encoders must be protected against excessive mechanical stresses, which occur whenever there are angular, axial, or radial misalignments between the machine and shaft encoder shafts.

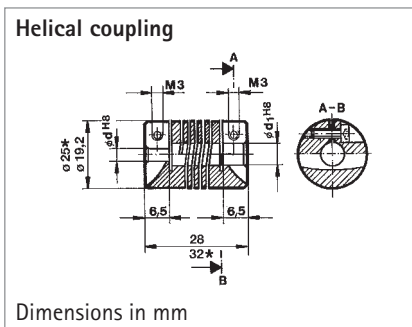
Our flexible couplings can compensate for this within limits.



Absolute max. speed	10,000 RPM
Torque max.	20 Ncm
Moment of inertia	1.1 gcm ²
Torsional spring constant	25 Ncm/degree
Max. angular misalignment	± 2.5°
Max. shaft misalignment radial / axial	± 0.3 mm / ± 0.2 mm
Max. tightening torque of set screws	30 Ncm
Material	polyamide 6.6 glass-fibre reinforced
Weight	3.5 g approx.

Hub diameter

5/5 mm	Ordering code 3 520 034	Suitable for encoder type RI 39
5/6 mm	Ordering code 3 520 033	RI 32, RI 41, RI 42
6/6 mm	Ordering code 1 761 026	



Absolute max. speed	6,000 RPM
Torque max.	80 Ncm
Moment of inertia	8.7 gcm ²
Torsional spring constant	14 Ncm/degree
Max. angular misalignment	± 4°
Max. shaft misalignment radial/axial	± 0.25 mm / ± 0.4 mm
Max. tightening torque of set screws	80 Ncm
Material	AlCuMgPb, chromed
Weight	16 g

* applies for with * marked hub diameters

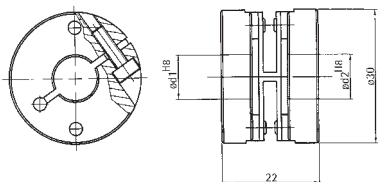
Hub diameter

5/5 mm	Ordering code 3 520 036	Suitable for encoder type RI 30, RI 32,
5/6 mm	Ordering code 3 520 035	RI 36, RI 41, RI 42, RI 58, RA 58
6/6 mm	Ordering code 0 070 653	
6/6.35 mm	Ordering code 3 520 051	
¹⁾ 6/9.53 mm	Ordering code 3 520 052	
¹⁾ 6/10 mm	Ordering code 3 520 066	
6.35/6.35 mm	Ordering code 3 520 057	
¹⁾ 6.35/9.52 mm	Ordering code 3 520 062	
¹⁾ 10/12 mm	Ordering code 3 520 065	
¹⁾ 10/10 mm	Ordering code 3 520 074	

¹⁾ The dimensions marked with ¹⁾ apply for the dimensional drawings

Flexible Couplings

Spring washer coupling



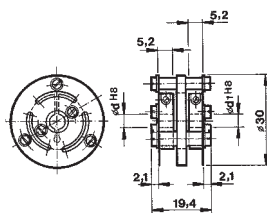
Dimensions in mm

Absolute max. speed	12,000 RPM
Torque max.	60 Ncm
Max. shaft misalignment	
Radial	± 0.3 mm
Axial	± 0.4 mm
Angular	± 2.5°
Torsional spring constant	50 Nm/rad
Material	
Flanges	aluminium, surface-protected
Spring disc	plastic, glassfibre-reinforced

Hub diameter

5/6 mm	Ordering code 3 520 080
6/6 mm	Ordering code 3 520 081
6/10 mm	Ordering code 3 520 082
6/6.35 mm	Ordering code 3 520 083
6/9.53 mm	Ordering code 3 520 084
6.35/6.35 mm	Ordering code 3 520 085
7/7 mm	Ordering code 3 520 086
10/6.35 mm	Ordering code 3 520 087
10/10 mm	Ordering code 3 520 088

Flange-face coupling

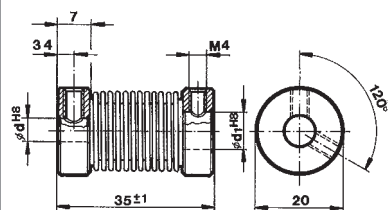


Dimensions in mm

Absolute max. speed	12,000 RPM
Torque max.	80 Ncm
Moment of inertia	19 gcm ²
Torsional spring constant	130 Ncm/degree
Max. angular misalignment	± 3.0°
Max. shaft misalignment	
radial	± 0.3 mm
axial	± 0.4 mm
Max. tightening torque of set screws	80 Ncm
Hub diameter d and d1	6 mm H 8
Material	
coupling body, flange	AlCuMgPb, anodized aluminium
preloaded disc	CuSn6, stainless steel
Weight	14.5 g approx.

Ordering code 0 070 663 Suitable for encoder type RI 36, RI 58, RA 58

Bellows coupling



Dimensions in mm

Absolute max. speed	8,000 RPM
Torque max.	80 Ncm
Moment of inertia	22 gcm ²
Torsional spring constant	230 Ncm/degree
Max. angular misalignment	± 4.0°
Max. shaft misalignment	
radial	± 0.3 mm
axial	± 0.5 mm
Max. tightening torque of set screws	150 Ncm
Material	
flange	CuZn39Pb3, nickel-plated
bellows	CuZn20, nickel-plated
Weight	34 g

Hub diameter

12/12 mm	Ordering code 0 070 666	Suitable for encoder type RI 58, RA 58
10/10 mm	Ordering code 3 520 037	
9.53/9.53 mm	Ordering code 3 520 038	
6/6 mm	Ordering code 3 520 068	

X-ON Electronics

Largest Supplier of Electrical and Electronic Components

Click to view similar products for [hengstler](#) manufacturer:

Other Similar products are found below :

[0.601.151](#) [0.635.810](#) [0.633.831](#) [0.868.165](#) [0.891.606](#)