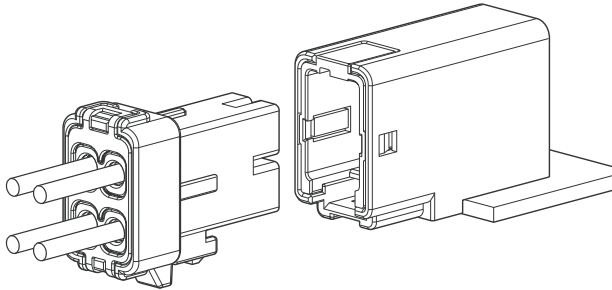


# JWPS CONNECTOR

4.0mm pitch/Disconnectable Crimp style connectors



**This JWPS connector can be used for the place of which especially waterproof is required.**

**This is the wire-to-board connector that is grade 7 ingress protection of JIS C 0920 (IPX7 of IEC 60529).**

- Waterproof performance
- Contained seal ring
- Solid rubber seal
- Double-spring construction
- Housing-to-terminal locks
- Mis-mating prevention key

## Specifications

- Current rating: 4 A AC, DC (AWG #22)  
: 5 A AC, DC (AWG #20)  
: 6 A AC, DC (AWG #18)
- Voltage rating: 300 V AC, DC
- Temperature range: -55°C to +85°C  
(including temperature rise in applying electrical current)
- Applicable wire: Conductor size/ AWG #22 to #18  
Insulation O.D./ 1.75 to 2.5 mm
- Applicable PC board thickness: 1.6 mm
- Waterproof grade: Grade 7 ingress protection of JIS C 0920 (IPX7 of IEC 60529)  
(\*Since the waterproof performance is not available at the opposite side of mating entrance, waterproof treatment is required, if necessary.)

\* Refer to "General Instruction and Notice when using Terminals and Connectors" at the end of this catalog.

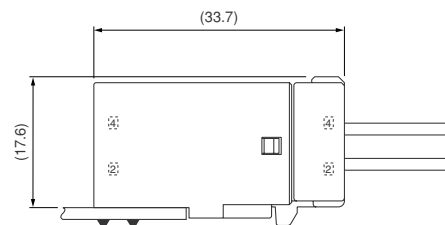
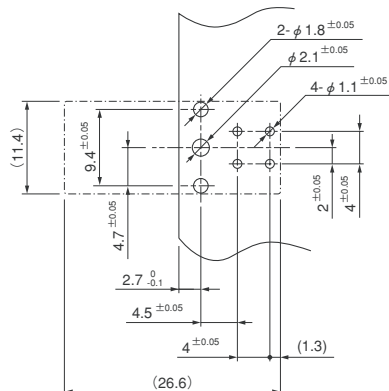
\* Contact JST for details.

\* Compliant with RoHS.

## Standards

Recognized E60389

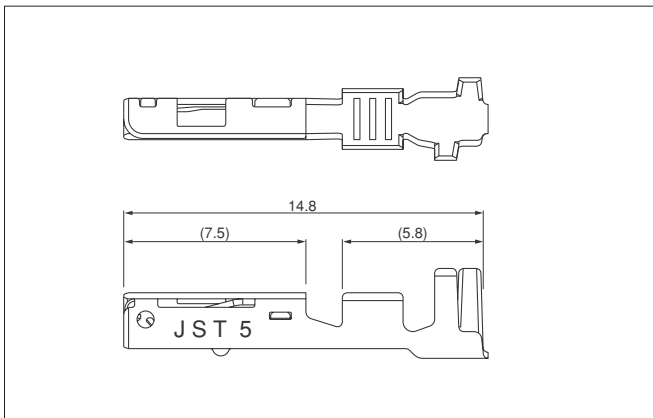
Certified LR20812



Note: 1. The above figure is the figure viewed from the connector mounting side.  
2. Hole dimensions differ according to the type of PC board and piercing method.  
The dimensions above should serve as a guideline. Contact JST for details

# JWPS CONNECTOR

## Receptacle contact



Model No.	Applicable wire	Insulation O.D. (mm)	Q'ty / reel
	AWG#		
<b>SJWPSR-21T-P1.0</b>	22~18	1.75~2.5	4,500

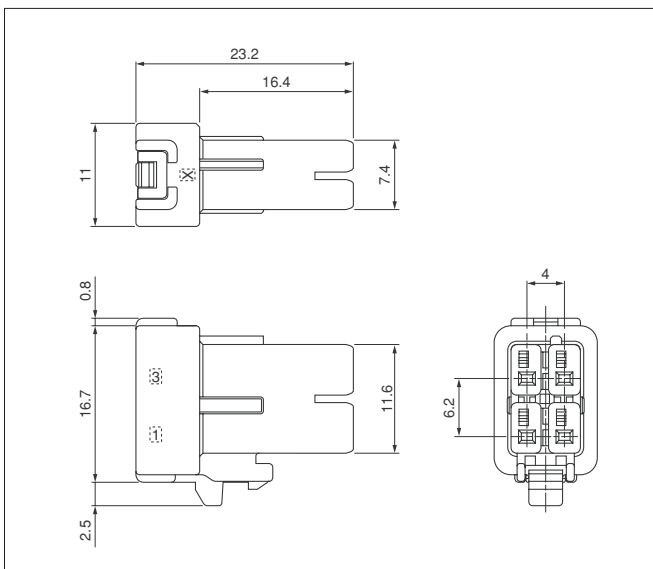
### Material and Finish

Copper alloy, tin-plated

### RoHS compliance

Contact	Crimping machine	Applicator		
		Crimp applicator	Dies	Crimp applicator with dies
<b>SJWPSR-21T-P1.0</b>	AP-K2N	MKS-L	MK/SJWPSR/T-21-10	APLMK SJWPSR/T21-10
		—	—	—

## Receptacle housing assembly



Circuits	Keying	Model No.	Q'ty / box
		<b>04R-JWPS-VKLE-DX-A</b>	
4	X	<b>04R-JWPS-VKLE-DX-A</b>	400
	Y	<b>04R-JWPS-VSLE-DY-A</b>	400
	Z	<b>04R-JWPS-VELE-DZ-A</b>	400

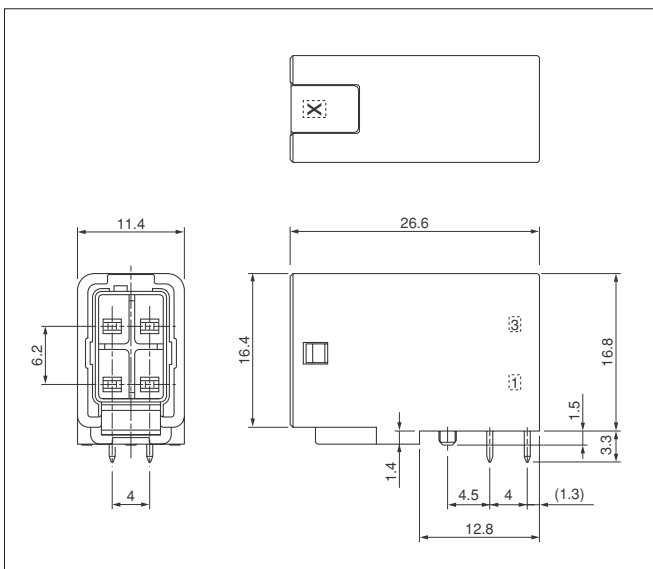
### Material

Receptacle housing: Glass-filled PBT, UL94V-0, X keying (black), Y keying (natural), Z keying (blue)  
Retainer: PBT, UL94V-0, purple  
Seal rubber plate: Silicone rubber, light blue

### RoHS compliance

Note: Seal rubber plate and retainer are preassembled in receptacle housing assembly.

## Header housing assembly



Circuits	Keying	Model No.	Q'ty / box
		<b>S04B-JWPS-KKS-XR</b>	
4	X	<b>S04B-JWPS-KKS-XR</b>	160
	Y	<b>S04B-JWPS-KSS-YR</b>	160
	Z	<b>S04B-JWPS-KES-ZR</b>	160

### Material and Finish

Header housing: Glass-filled PBT, UL94V-0, black  
Seal ring holder: Glass-filled PBT, UL94V-0, X keying (black), Y keying (natural), Z keying (blue)  
Seal ring: Silicone rubber, brown  
Tab contact: Copper alloy, tin-plated

### RoHS compliance

This product displays (LF)(SN) on a label.  
Note: Seal ring and seal ring holder are preassembled in header housing assembly.

## X-ON Electronics

Largest Supplier of Electrical and Electronic Components

*Click to view similar products for [jst manufacturer](#):*

Other Similar products are found below :

[B08B-JWPF-SK-R](#) [B3PS-VH](#) [B5B-XH-A](#) [B5P-VH](#) [B7B-XH-A](#) [B8B-PH-SM4-TB](#) [GS6-16](#) [B34B-PHDSS-B\(LF\)\(SN\)](#) [B3B-ZR-SM4-TF](#)  
[B4B-PH-SM4-TB](#) [B4PS-VH](#) [B5B-PH-SM4-TB](#) [B6B-PH-SM4-TB](#) [B6B-XH-A](#) [B6PS-VH](#) [B7PS-VH](#) [B8B-PH-K-S](#) [IDH-KR-12](#) [10HR-4K](#)  
[WC-ZE2426](#) [WC-691](#) [WC-122](#) [FVDDF5.5-375A \(LF\)](#) [FVWS2-S3.3 \(LF\)](#) [FVWS5.5-5 \(LF\)](#) [B6PS-VH\(LF\)\(SN\)](#) [FNGS12-6](#) [TWE0.5-8](#)  
[FVGS4-1 \(LF\)](#) [HILR-06VF-1-S](#) [YRS-1090](#) [WC-GVH2630](#) [WC-PUD2](#) [S10B-PH-SM4-TB\(LF\)\(SN\)](#) [B4B-EH-A-TW \(LF\)\(SN\)](#) [B4B-XH-TW](#)  
[\(LF\)\(SN\)](#) [B5B-PH-TW-S \(LF\)\(SN\)](#) [B8B-PH-TW-S \(LF\)\(SN\)](#) [B9B-XH-A](#) [BM03B-GHS-TBT](#) [BM04B-GHS-TBT](#) [BM06B-GHS-TBT](#)  
[BM10B-GHS-TBT](#) [10FPZ-SM-TF\(LF\)\(SN\)](#) [YRS-852](#) [B04B-VYHSK-M-1](#) [WC-530](#) [B4B-PH-SM4-GW-TB](#) [B2B-ZR-SM4-TFT\(LF\)\(SN\)](#)  
[S24B-PADSS-1\(LF\)\(SN\)](#)