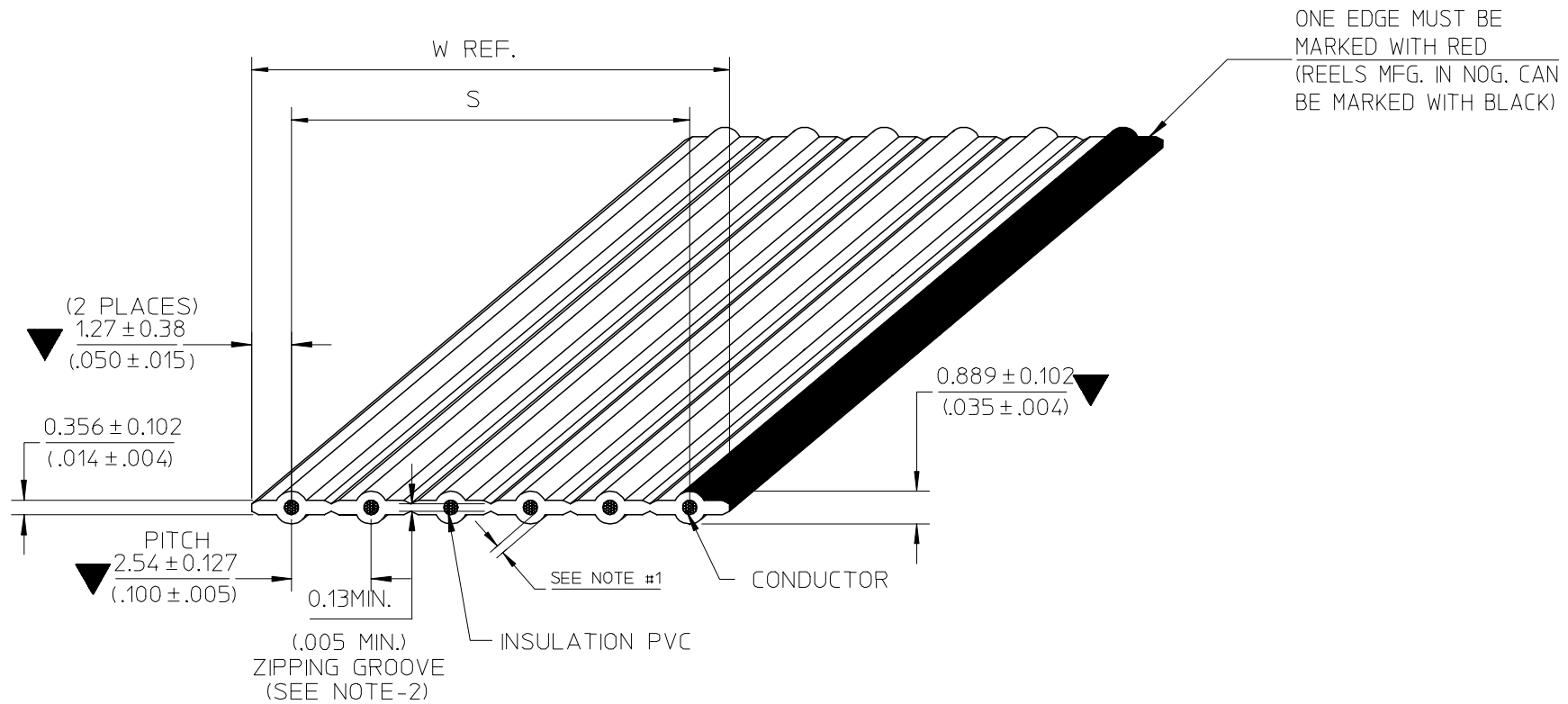


| Molex Part No. | Description | Part Status | Series No. | Old Part No. |
|------------------------------------|-------------------------------------|-----------------|--------------|--------------|
| 888030016 | SINGLE NOTCH EVERY 6" 73070306E* | Active - Custom | 07307 | 73070306E* |
| RoHS Information | | | | |
| RoHS Status:ELV and RoHS Compliant | | | | |





- NOTE :
1. THE CABLE SHALL HAVE A MINIMUM OF 0.178mm. (.007") THICKNESS INSULATION AT ANY POINT
 2. RIP TEST:
 - THE 0.13mm. (.005") ZIPPING GROOVE SHALL BE CAPABLE OF BEING RIPPED BY HAND WITHIN THE RECESS.WITHOUT EXPOSING THE ADJACENT CONDUCTORS
 3. RoHS AND LEAD FREE COMPLIANT
 4. SPECIAL REQUIREMENT: N/A

| | | | | | | | | | | |
|---|--------------------|-------------------------------|--|-------|-----------------|---|--------------------------|---|--|--|
| NEW RELEASE EC NO: THL2007-0005 DRWN:CPANSAKHOM 2006/09/06 CHKD:PMEECHAI 2006/09/14 APPR:SVIRATJAPOL 2006/10/10 | DESCRIPTION REV | QUALITY SYMBOLS ▽=3 ◻=0 | GENERAL TOLERANCES (UNLESS SPECIFIED) | | DIMENSION STYLE | SCALE | DESIGN UNITS | THIRD ANGLE PROJECTION | | |
| | | | | mm | INCH | MM/IN | NTS | INCH | | |
| | | | 4 PLACES | ± --- | ± --- | DRAWN BY | DATE | TITLE | | |
| | | | 3 PLACES | ± --- | ± --- | CPANSAKHOM | 2006/07/18 | FCB ROUND CONDUCTOR 2.54MM(.100)CENTER PVC. 28AWG STRANDED TINNED | | |
| 2 PLACES | ± --- | ± --- | 1 PLACE | ± --- | ± --- | CHECKED BY | DATE | | | |
| | | | | | | PMEECHAI | 2006/07/18 | | | |
| | | | ANGULAR ± ---° | | APPROVED BY | DATE | MOLEX MOLEX INCORPORATED | | | |
| | | | DRAFT WHERE APPLICABLE MUST REMAIN WITHIN DIMENSIONS | | SVIRATJAPOL | 2006/07/18 | DOCUMENT NO. | SHEET NO. | | |
| | | | | | SEE CHART | | SD-7307-001 | 1 OF 3 | | |
| | | | | | SIZE | THIS DRAWING CONTAINS INFORMATION THAT IS PROPRIETARY TO MOLEX INCORPORATED AND SHOULD NOT BE USED WITHOUT WRITTEN PERMISSION | | | | |
| | | | | | A 4 | | | | | |

7

6

5

4

3

2

1

E

SPECIFICATIONSPHYSICAL

CONDUCTOR SPACING ----- 2.54 (.100") \bar{C} TO \bar{C}
 WIRE GAUGE ----- 28 AWG(7/36) STRANDED TINNED
 INSULATION ----- P.V.C GRAY (LEAD FREE)

AGENCY

U.L. STYLE NO. ----- 2651
 TEMPERATURE RATING ----- -20°C TO 105°C
 VOLTAGE RATING ----- 300V.MAX.
 FLAMMABILITY RATING ----- VW-1

ELECTRICAL

CONDUCTOR RESISTANCE (D.C.) ----- 68 m OHMS/FT. MAX.
 CHARACTERISTIC IMPEDANCE ----- 150 OHMS NOM. (GS)
 128 OHMS NOM. (GSG)
 CAPACITANCE ----- 5.0 pF/FT. NOM. (GS)
 9.12 pF/FT. NOM. (GSG)
 PROPAGATION DELAY ----- 1.4 ns/FT. NOM.
 INSULATION RESISTANCE ----- 10 M OHMS (10FT. SAMPLE)
 DIELECTRIC WITHSTAND VOLTAGE ----- 2000 VRMS/MINUTE

GENERAL

FAULTS AND/OR SPLICES ----- 1/REEL MAX. 100⁺³₋₀ FT. (30.48^{+0.914}₋₀ M.)/REEL
 20FT. (6.096M.) MIN. LENGTH

D

C

B

A

E

D

C

B

A

| | | | | | | | | | | | |
|---|--------------------|-----------------|---------------------------------------|-------------|-----------------|--|--------------|---|--|--|--|
| NEW RELEASE EC NO: THL2007-0005 DRWN:CPANSAKHOM 2006/09/06 CHKD:PMEECHAI 2006/09/14 APPR:SVIRATJAPOL 2006/10/10 | DESCRIPTION REV | QUALITY SYMBOLS | GENERAL TOLERANCES (UNLESS SPECIFIED) | | DIMENSION STYLE | SCALE | DESIGN UNITS | THIRD ANGLE PROJECTION | | | |
| | | | mm | INCH | MM/IN | NTS | INCH | | | | |
| | | | 4 PLACES | ± --- | ± --- | DRAWN BY | DATE | TITLE | | | |
| | | | 3 PLACES | ± --- | ± --- | CPANSAKHOM | 2006/07/18 | FCB ROUND CONDUCTOR 2.54MM(.100)CENTER PVC. 28AWG STRANDED TINNED | | | |
| | | | 2 PLACES | ± --- | ± --- | CHECKED BY | DATE | MOLEX MOLEX INCORPORATED | | | |
| | 1 PLACE | ± --- | ± --- | PMEECHAI | 2006/07/18 | APPROVED BY | | | | | |
| | | | | SVIRATJAPOL | 2006/07/18 | DATE | | | | | |
| | | | | | | MATERIAL NO. | | | | | |
| | | | | | | DOCUMENT NO. | | | | | |
| | | | | | | SHEET NO. | | | | | |
| | | | | | | SD-7307-001 | | | | | |
| | | | | | | 2 OF 3 | | | | | |
| | | | | | | DRAFT WHERE APPLICABLE MUST REMAIN WITHIN DIMENSIONS | | | | | |
| | | | | | | SIZE | | | | | |
| | | | | | | A 4 THIS DRAWING CONTAINS INFORMATION THAT IS PROPRIETARY TO MOLEX INCORPORATED AND SHOULD NOT BE USED WITHOUT WRITTEN PERMISSION | | | | | |

6

5

4

3

2

1

7

6

5

4

3

2

1

E

E

D

D

C

C

B

B

A

A

| CHART A DIMENSIONS MM. (INCHES) | | | | | SHIPPED ON 100 FT. REELS | |
|------------------------------------|----------------|----------------|--------------|-----------------|-----------------------------|--------------|
| ENG. NO. | NO.OF COND. | DIMENSION S | | DIM. W (REF) | ENGINEERING NO. | ORDER NO. |
| 7307-02 | 2 | 2.54±0.127 | (.100±.005) | 5.08 (.200) | 7307-02-100B | 82-28-5802 |
| 7307-03 | 3 | 5.08±0.20 | (.200±.008) | 7.62 (.300) | ▲ -03- ▲ | ▲ 03 |
| 7307-04 | 4 | 7.62±0.30 | (.300±.012) | 10.16 (.400) | ▲ -04- ▲ | ▲ 04 |
| 7307-05 | 5 | 10.16±0.33 | (.400±.013) | 12.70 (.500) | ▲ -05- ▲ | ▲ 05 |
| 7307-06 | 6 | 12.70±0.33 | (.500±.013) | 15.24 (.600) | ▲ -06- ▲ | ▲ 06 |
| 7307-07 | 7 | 15.24±0.33 | (.600±.013) | 17.78 (.700) | ▲ -07- ▲ | ▲ 07 |
| 7307-08 | 8 | 17.78±0.33 | (.700±.013) | 20.32 (.800) | ▲ -08- ▲ | ▲ 08 |
| 7307-09 | 9 | 20.32±0.33 | (.800±.013) | 22.86 (.900) | ▲ -09- ▲ | ▲ 09 |
| 7307-10 | 10 | 22.86±0.33 | (.900±.013) | 25.40 (1.000) | ▲ -10- ▲ | ▲ 10 |
| 7307-11 | 11 | 25.40±0.33 | (1.000±.013) | 27.94 (1.100) | ▲ -11- ▲ | ▲ 11 |
| 7307-12 | 12 | 27.94±0.33 | (1.100±.013) | 30.48 (1.200) | ▲ -12- ▲ | ▲ 12 |
| 7307-13 | 13 | 30.48±0.33 | (1.200±.013) | 33.02 (1.300) | ▲ -13- ▲ | ▲ 13 |
| 7307-14 | 14 | 33.02±0.33 | (1.300±.013) | 35.56 (1.400) | ▲ -14- ▲ | ▲ 14 |
| 7307-15 | 15 | 35.56±0.33 | (1.400±.013) | 38.10 (1.500) | ▲ -15- ▲ | ▲ 15 |
| 7307-16 | 16 | 38.10±0.33 | (1.500±.013) | 40.64 (1.600) | ▲ -16- ▲ | ▲ 16 |
| 7307-17 | 17 | 40.64±0.33 | (1.600±.013) | 43.18 (1.700) | ▲ -17- ▲ | ▲ 17 |
| 7307-18 | 18 | 43.18±0.33 | (1.700±.013) | 45.72 (1.800) | ▲ -18- ▲ | ▲ 18 |
| 7307-19 | 19 | 45.72±0.33 | (1.800±.013) | 48.26 (1.900) | ▲ -19- ▲ | ▲ 19 |
| 7307-20 | 20 | 48.26±0.33 | (1.900±.013) | 50.80 (2.000) | ▼ -20- ▼ | ▼ 20 |

ENGINEERING NO.

7307-XX-XXXX

A B C D

A : CABLE 2.54mm. (.100") CENTERS 28 AWG STRANDED TINNED

B : CONDUCTOR SIZE (AVAILABILITY 2 THROUGH 20)

C : CABLE LENGTH 100FT. (30.48M.)

D : A = INCHES

B = FEET

| | | | | | | | | | |
|---|--------------------------------|--|--|--------------------------|--|--------------------|--|---------------------------|---------------------|
| NEW RELEASE EC NO: THL2007-0005 DRWN:CPANSAKHOM 2006/09/06 CHKD:PMEECHAI 2006/09/14 APPR:SVIRATJAPOL 2006/10/10 | QUALITY SYMBOLS ▽ = ▽C = | GENERAL TOLERANCES (UNLESS SPECIFIED) | | DIMENSION STYLE MM/IN | | SCALE NTS | DESIGN UNITS INCH | THIRD ANGLE PROJECTION | |
| | | 4 PLACES | ± --- | ± --- | DRAWN BY CPANSAKHOM | DATE 2006/07/18 | TITLE FCB ROUND CONDUCTOR 2.54MM(.100)CENTER PVC. 28AWG STRANDED TINNED | | |
| | | 3 PLACES | ± --- | ± --- | CHECKED BY PMEECHAI | DATE 2006/07/18 | APPROVED BY SVIRATJAPOL 2006/07/18 | | |
| | | 2 PLACES | ± --- | ± --- | MATERIAL NO. SEE CHART | | DOCUMENT NO. SD-7307-001 | | SHEET NO. 3 OF 3 |
| 1 PLACE | ± --- | ± --- | DRAFT WHERE APPLICABLE MUST REMAIN WITHIN DIMENSIONS | | THIS DRAWING CONTAINS INFORMATION THAT IS PROPRIETARY TO MOLEX INCORPORATED AND SHOULD NOT BE USED WITHOUT WRITTEN PERMISSION | | | | |
| ANGULAR ±---° | | | | | | | | | |

6

5

4

3

2

1

X-ON Electronics

Largest Supplier of Electrical and Electronic Components

Click to view similar products for [molex](#) manufacturer:

Other Similar products are found below :

[1201140065](#) [90814-0008](#) [38210-0105](#) [60506-C-50](#) [69008-0971](#) [73108](#) [79516-1043](#) [72903](#) [68301-1017](#) [03-12-1016](#) [71506-C](#) [90835-0003](#)
[02-09-8104](#) [880504](#) [67490-3220](#) [53254-0710](#) [85071-0017](#) [70984-4008](#) [03-12-2022](#) [89674-0805](#) [514412093](#) [54596-1010](#) [0191310031](#)
[503308-4410](#) [02-09-6102](#) [0008650814](#) [0039000218](#) [89762-1542](#) [89762-1582](#) [0011404526](#) [00136](#) [0022173102](#) [0026615060](#)
[CR4006A30M003](#) [0039532085](#) [58098-0628](#) [0003092041](#) [0008520123](#) [0011030025](#) [0011184017](#) [0022162060](#) [0022552102](#) [01312](#)
[M15730061](#) [61432](#) [6150300002](#) [CS63W64](#) [CS8264N](#) [CS8365N](#) [CS8369](#)