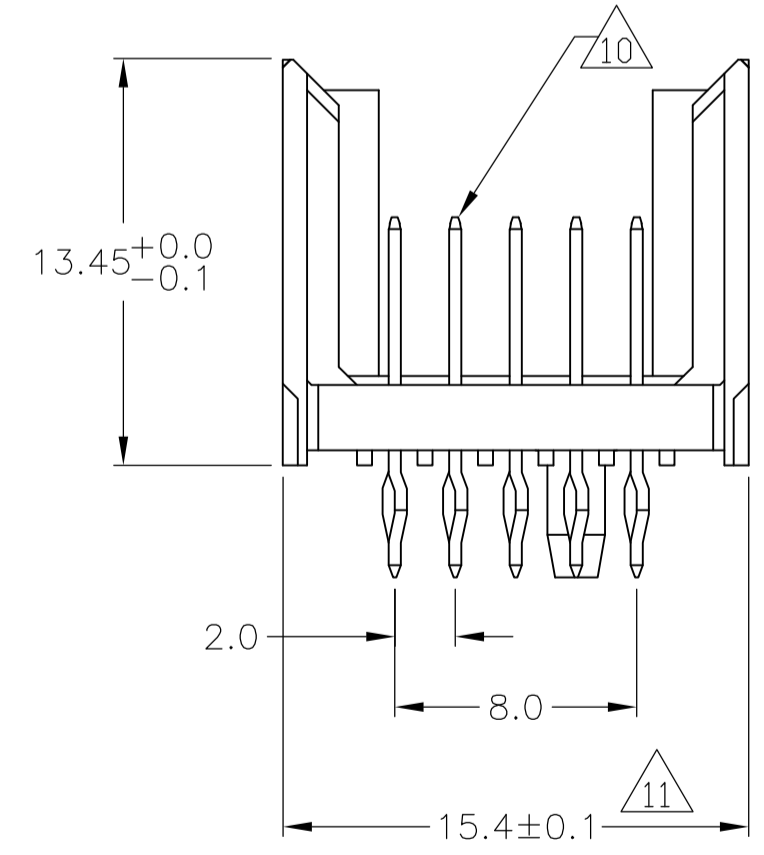
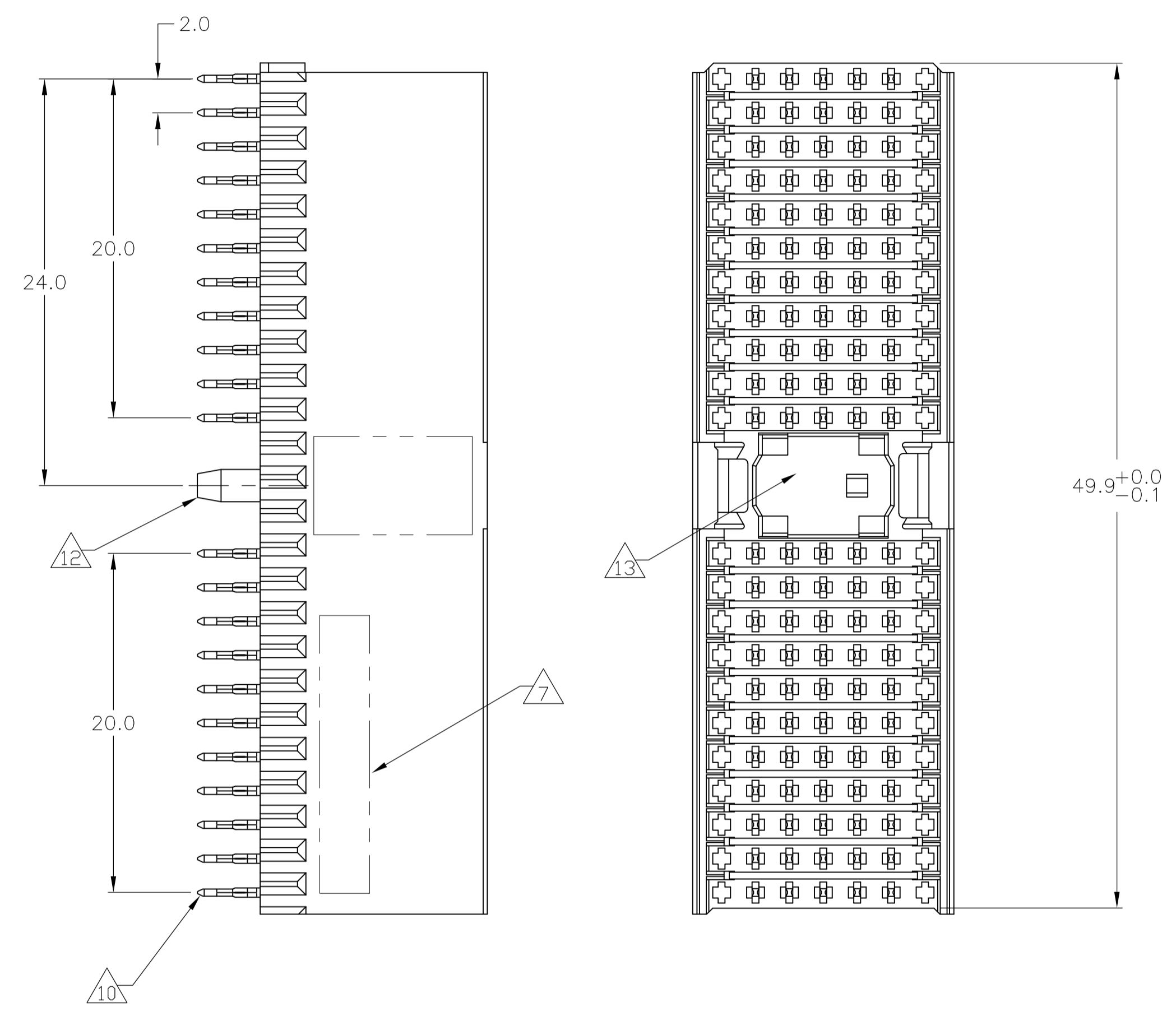
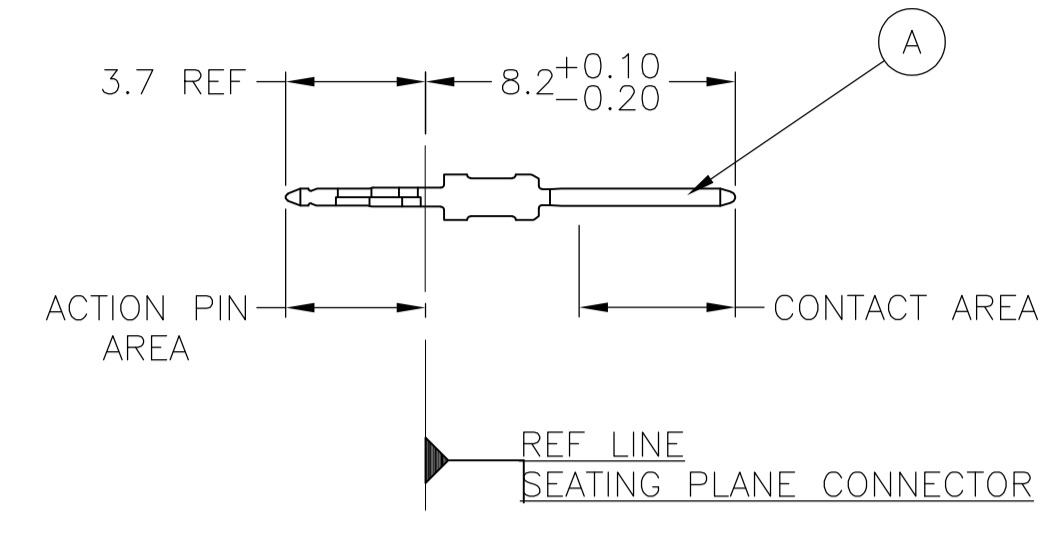


### CONNECTOR ASSEMBLY EXAMPLARY LOADED $\triangle 6$

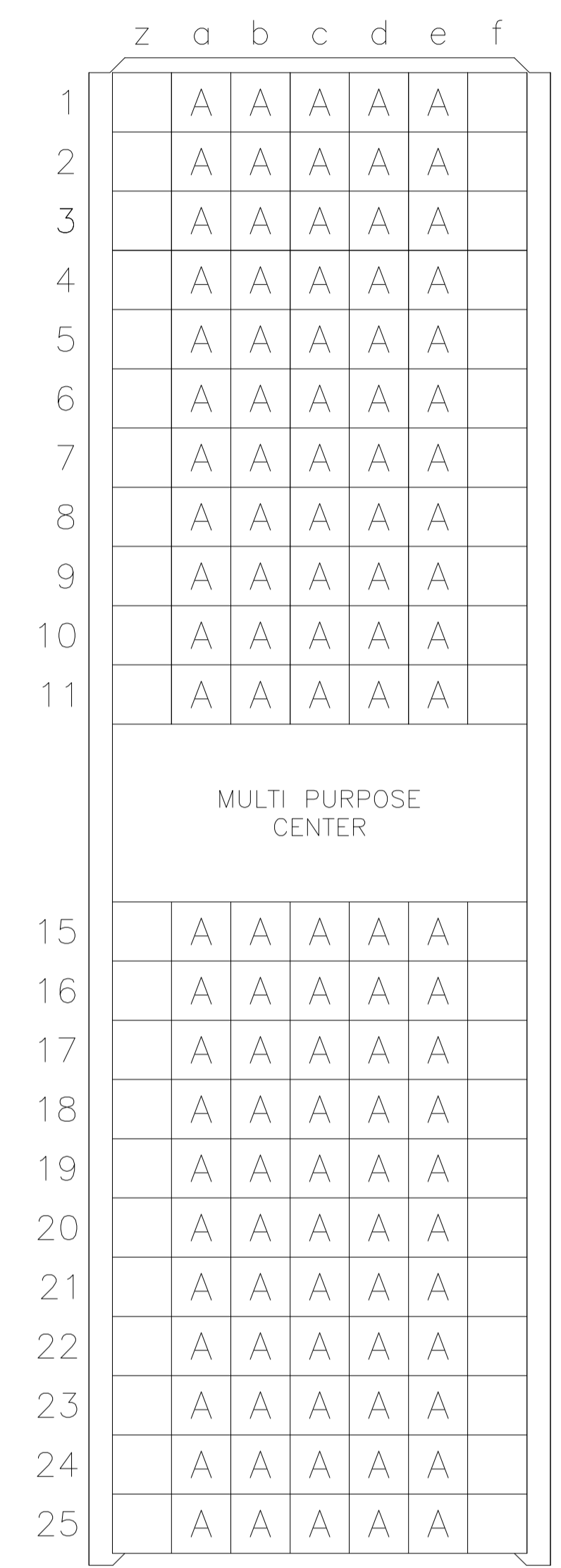


### CONTACT DIMENSIONS

SCALE 5:1

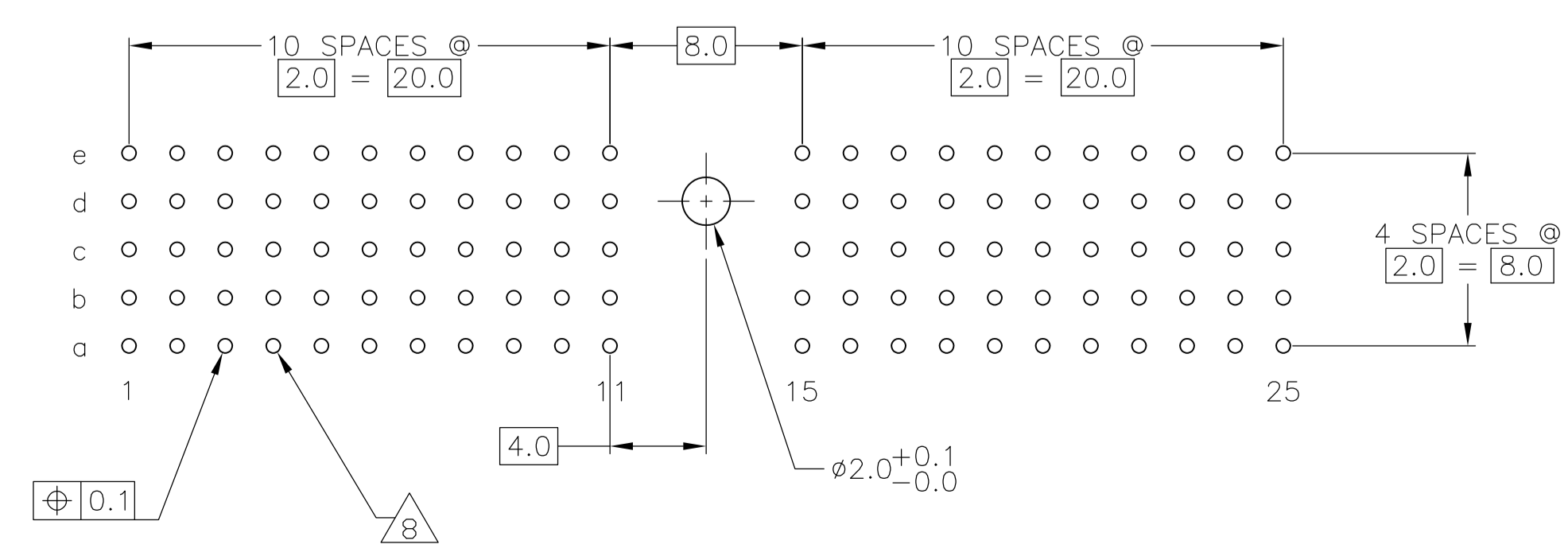


### CONTACT LAYOUT



### RECOMMENDED PCB-HOLE LAYOUT COMPONENT SIDE SHOWN

### PLATED THRU HOLES PARAMETERS REFERENCE APPLICATION SPECIFICATION




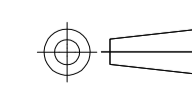
$\triangle 2$	$\triangle 3$	$\triangle 16$	3-5100143-0
$\triangle 2$	$\triangle 6$	$\triangle 14$	1-5100143-9
$\triangle 2$	$\triangle 5$	$\triangle 14$	5100143-9
$\triangle 2$	$\triangle 4$		5100143-4
$\triangle 2$	$\triangle 3$		5100143-1
OBSOLETE			
FINISH			PART NUMBER

THIS DRAWING IS A CONTROLLED DOCUMENT.

DIMENSIONS: mm	TOLERANCES UNLESS OTHERWISE SPECIFIED:	DIN B CARBO 24JAN05	24JAN05	24JAN05	24JAN05
$\phi$ - PLE	$\pm$	APVD G SKIPPER	NAME	TE Connectivity	
1 - PLE	$\pm 0.1$	PRODUCT SPEC	108-19082	MALE ASSEMBLY, Z-PACK 2mm HM, TYPE A	
2 - PLE	$\pm$	APPLICATION SPEC	114-19029		
3 - PLE	$\pm$	WEIGHT	A1 00779	5100143	
4 - PLE	$\pm$	CUSTOMER DRAWING	SCALE 4:1	SHEET 1 OF 2	REV F

LOC		DIST		REVISIONS				
AD	00	REV	DATE	DESCRIPTION	DATE	BY	APPV	
-	-	-	-	SEE SHEET 1	-	-	-	

- 1 MATERIAL:  
CONTACT: PHOSPHOR BRONZE.  
HOUSING: GLASS-FILLED POLYESTER.
- 2 GENERAL PLATING SPECIFICATION: UNDERPLATING  
(ENTIRE CONTACT): 1.27µm MIN NICKEL AND ACTION  
PIN: 0.5µm MIN TIN.  
FOR PLATING OF MATING SURFACES SEE APPLICABLE  
SPECIFICATION REFERENCE FOR EACH DASH NUMBER.
- 3 CONFORMS TO ALL TESTING ACCORDING TO IEC 61076-4-101  
PERFORMANCE LEVEL 2.
- 4 CONFORMS TO ALL TESTING ACCORDING TO IEC 61076-4-101  
PERFORMANCE LEVEL 1.
- 5 CONNECTOR TESTED AND QUALIFIED AGAINST TELCORDIA GR-1217-CORE QUALITY LEVEL 3,  
CENTRAL OFFICE APPLICATIONS.
- 6 CONNECTOR TESTED AND QUALIFIED AGAINST TELCORDIA GR-1217-CORE QUALITY LEVEL 3,  
UNCONTROLLED ENVIROMENT APPLICATIONS.
- 7 CONNECTOR MARKED WITH PART NUMBER AND DATE CODE.  
ADDITIONAL CHARACTERS OR MARKINGS, AS WELL AS THE LOCATION OF THE MARKINGS,  
MAY BE ADDED FOR TRACEABILITY BASED UPON MANUFACTURERS DISCRETION.
- 8 PLATED-THROUGH HOLES AT 2x2mm SQUARE GRID  
PATTERN DEFINED BY CONTACT LAYOUT.
- 9 FOR ACTUAL PIN LOADING SEE "CONTACT LAYOUT".
- 10 FOR ACTUAL PIN DIMENSIONS SEE "CONTACT DIMENSIONS".
- 11 TO BE MEASURED AT BOTTOM OF SHROUD.
- 12 POLARIZATION FEATURE.
- 13 AREA RESERVED FOR KEYING PART (BASIC P/N 100525).
- 14 CONNECTOR LUBRICATED WITH BELCORE APPROVED LUBRICANT,  
TECHNICAL REFERENCE: TR-NWT-001217 ISSUE 1, SEP 1992.
- 15 OBSOLETE PARTS: OBSOLETE CIS STREAMLINING PER D.RENAUD/D.SINISI
- 16 0.76µm MIN. GOLD PLATING AT MATING SURFACES.

THIS DRAWING IS A CONTROLLED DOCUMENT.		DIN B CARBO 24JAN05		 TE Connectivity	
DIMENSIONS: mm		TOLERANCES UNLESS OTHERWISE SPECIFIED: ±0.2			
		0-PLC ± 1-PLC ±0.1 2-PLC ± 3-PLC ± 4-PLC ± ANGLES ±		G.SKIPPER 24JAN05 G.SKIPPER 24JAN05 NAME: MALE ASSEMBLY, Z-PACK 2mm HM, TYPE A	
MATERIAL: SEE SHEET 1		FINISH: SEE SHEET 1		PRODUCT SPEC: 108-19082 APPLICATION SPEC: 114-19029 WEIGHT: - SIZE: A1 CAGE CODE: 00779 DRAWING NO: 5100143 RESTRICTED TO: -	
		CUSTOMER DRAWING		SCALE: 4:1 SHEET 2 OF 2 REV F	

## X-ON Electronics

Largest Supplier of Electrical and Electronic Components

*Click to view similar products for [Headers & Wire Housings](#) category:*

*Click to view products by [TE Connectivity](#) manufacturer:*

Other Similar products are found below :

[95000-104TRLF](#) [10135584-644402LF](#) [DF62W-EP2022PCA](#) [95000-106TRLF](#) [DF62W-2022SCA](#) [DF62W-EP2022PC](#) [2203348](#) [DF62W-2022SC](#) [1084018](#) [1029039](#) [1084017](#) [802-10-012-10-002000](#) [1112640](#) [1112639](#) [891-007-9SS-BST1T](#) [000-34000](#) [0008550134](#) [0009482033](#) [0009507031](#) [57102-F02-18ULF](#) [57102-S06-03LF](#) [57202-S52-04LF](#) [PCN6-15S-2.5E](#) [0039019024](#) [58102-G61-06LF](#) [582553-1](#) [0009485154](#) [0009508121](#) [009176003701906](#) [0022285053](#) [0050291907](#) [018731A](#) [LY20-4P-DT1-P1E-BR](#) [02.125.8002.8](#) [60101931](#) [60598-1 \(Cut Strip\)](#) [M1625-3R/100](#) [61062-3](#) [61082-181009](#) [CSU011177004](#) [636-1427](#) [638009-1](#) [641938-9](#) [641991-4](#) [644168-1](#) [644827-2](#) [647662-1](#) [65039-019ELF](#) [65692-001LF](#) [65781-018](#)